

## Wall 400 with no door

This module will enable you to construct two 400mm x 1900mm walls with no door. These are used as side walls for narrow skillion sheds.

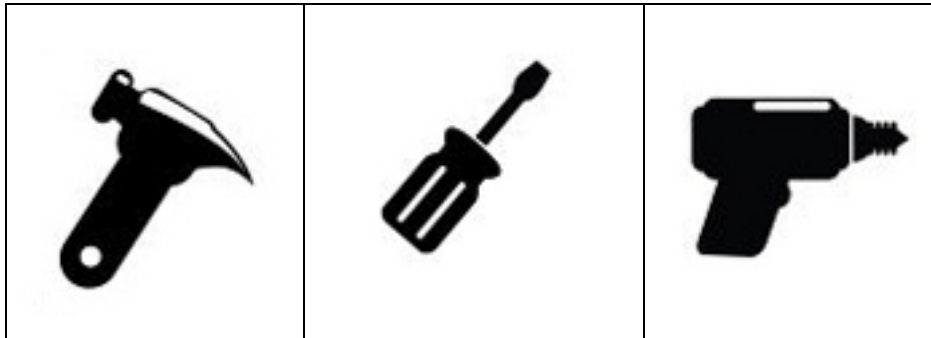
### Before you begin the build

Just like our sheds, our manuals are designed in modules to make assembly easier and simpler. Your shed will have come in multiple boxes that are easy to handle.

Each carton contains one shed module together with instructions on how to assemble that module. You begin by assembling your wall modules, then your roof modules and finally you put those modules together to erect your shed.

The key to a hassle free shed assembly is to take your time and have your work area and shed base well prepared prior to starting the build. We suggest that before you go any further, if you haven't already, locate your roof module or joiner module carton and find the instructions. These instructions contain details on site preparation, your first job, and module assembly and anchoring your shed to the base. **So before you go any further, read the roof and /or joiner module instructions, it will save you time and frustration.**






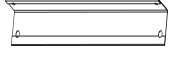
#### *Tools you will need.*




## Check the contents

Before you start to construct this wall, check off all the contents.

### Parts checklist for a 400 wall with no door

Picture	Description	Component	Location	Part No.	QTY	Check
	Sheet	Sheet 1900x230		SS20	2	
	Sheet	Sheet 1900x380		SS21	2	
	Channel	channel 472		SC44	2	
	Channel	channel 472		SC45	2	
	Channel	channel 365		SC69	2	
	Jamb	Jamb 1898		SZ01	2	

### Fittings Pack

Picture	Component	QTY	Picture	Component	QTY
	Self tapping screws(10mm)	30			

**If you are missing anything call The Garden Shed Hotline 1300 781 230**

## What am I building?

Here is what you are building. It is an 400mm wide x 1900mm high wall without any door. This type of wall is typically a side or extension wall for your shed.

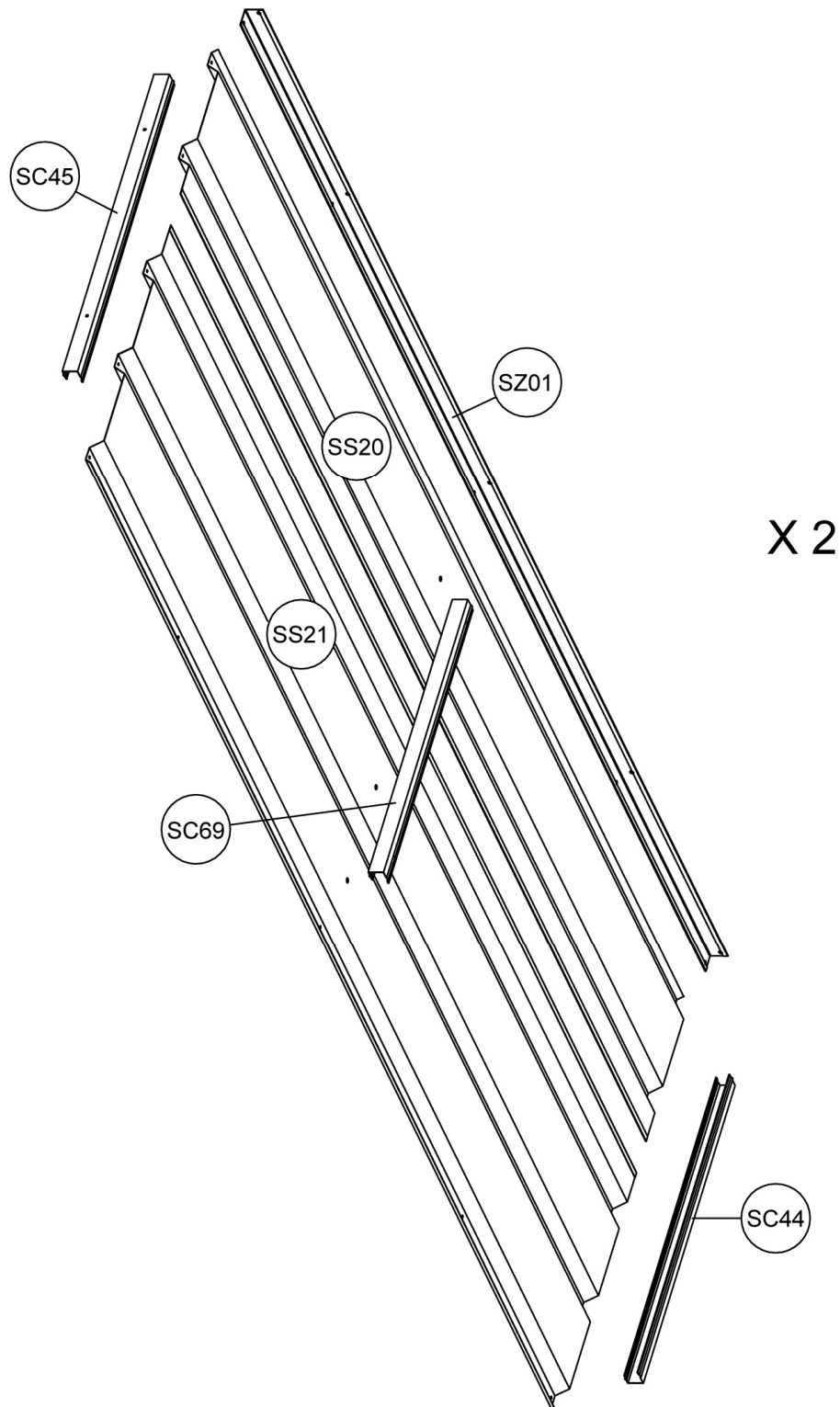


Diagram 1

## Assembly Instructions

These are the instructions to assemble a 400mm wall.

- 1 Place sheets SS20 and SS21 on your work surface and join with the self tapping screws provided.

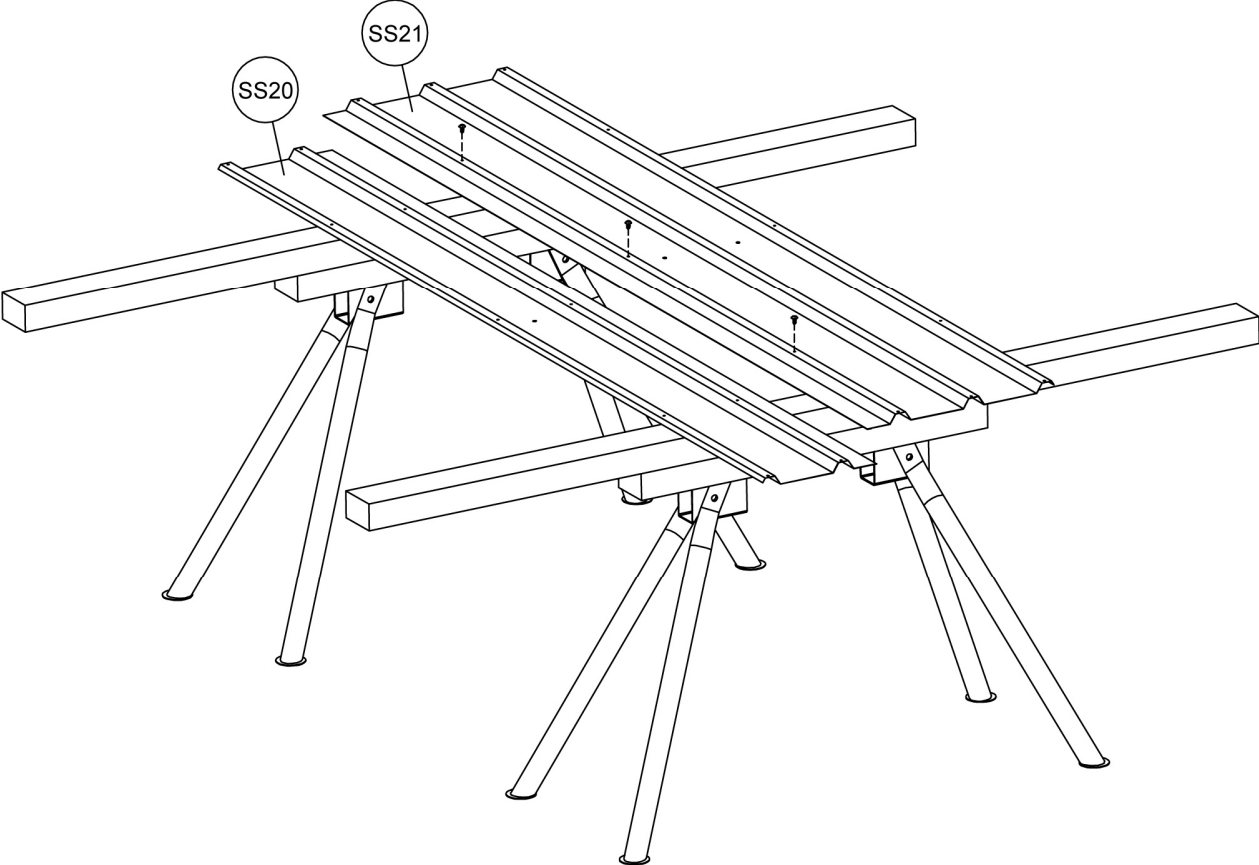


Diagram 2

- 2 Position the SC45 top and SC44 bottom channels to the sheet as per diagram 3. You can either tap them on or slide them on. Always ensure that the narrow lip of the channel is facing the outside of the shed. This allows rainwater to overflow to the outside of the shed.

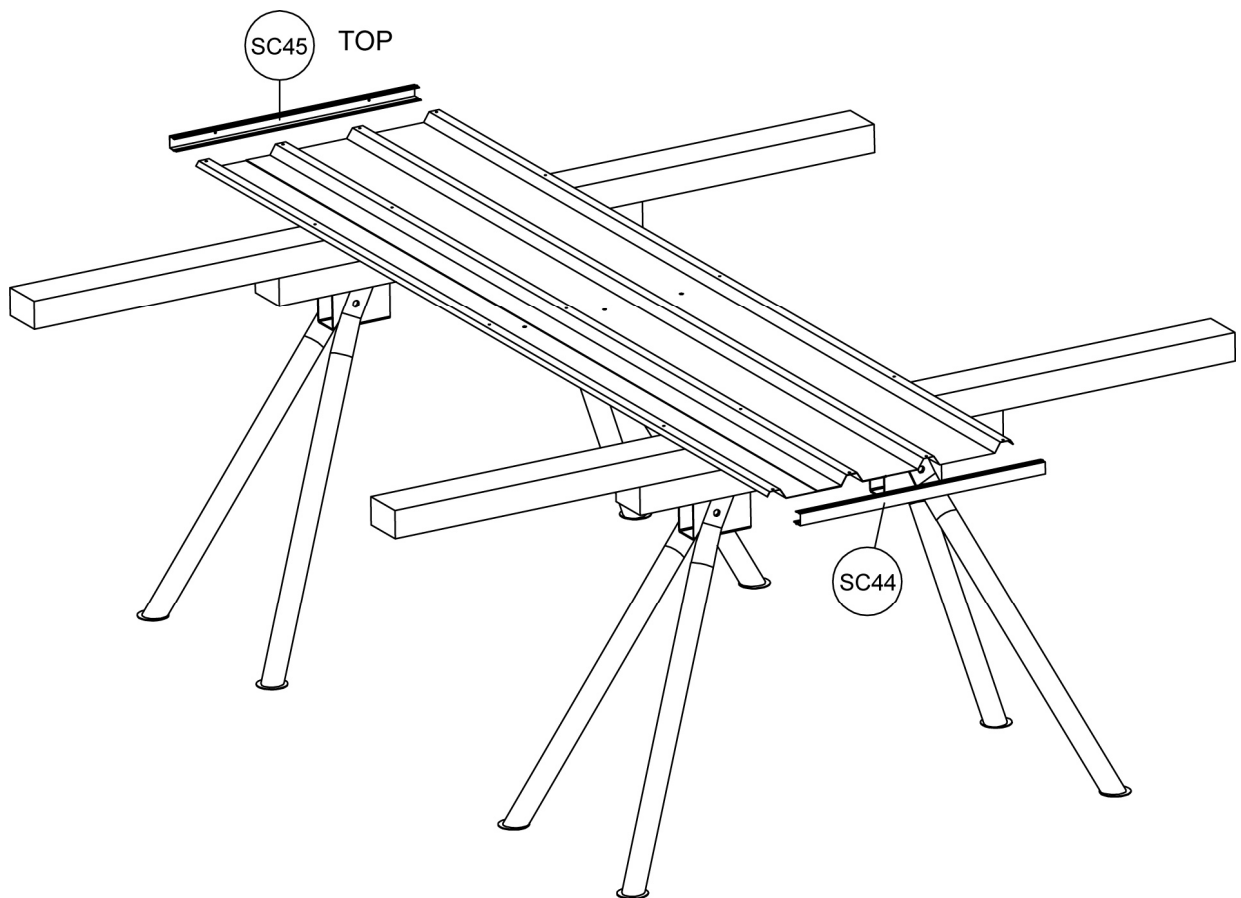


Diagram 3

- 3** Fix the SC45 & SC44 channels with the 10mm self tapping screws provided. Do not inset the screws marked with the cross, you will put these in at a later stage. Attach the mid wall channel SC69 to the centre of the sheet with self-tapping screws. The “U” of the mid wall channel should face the base of the shed.

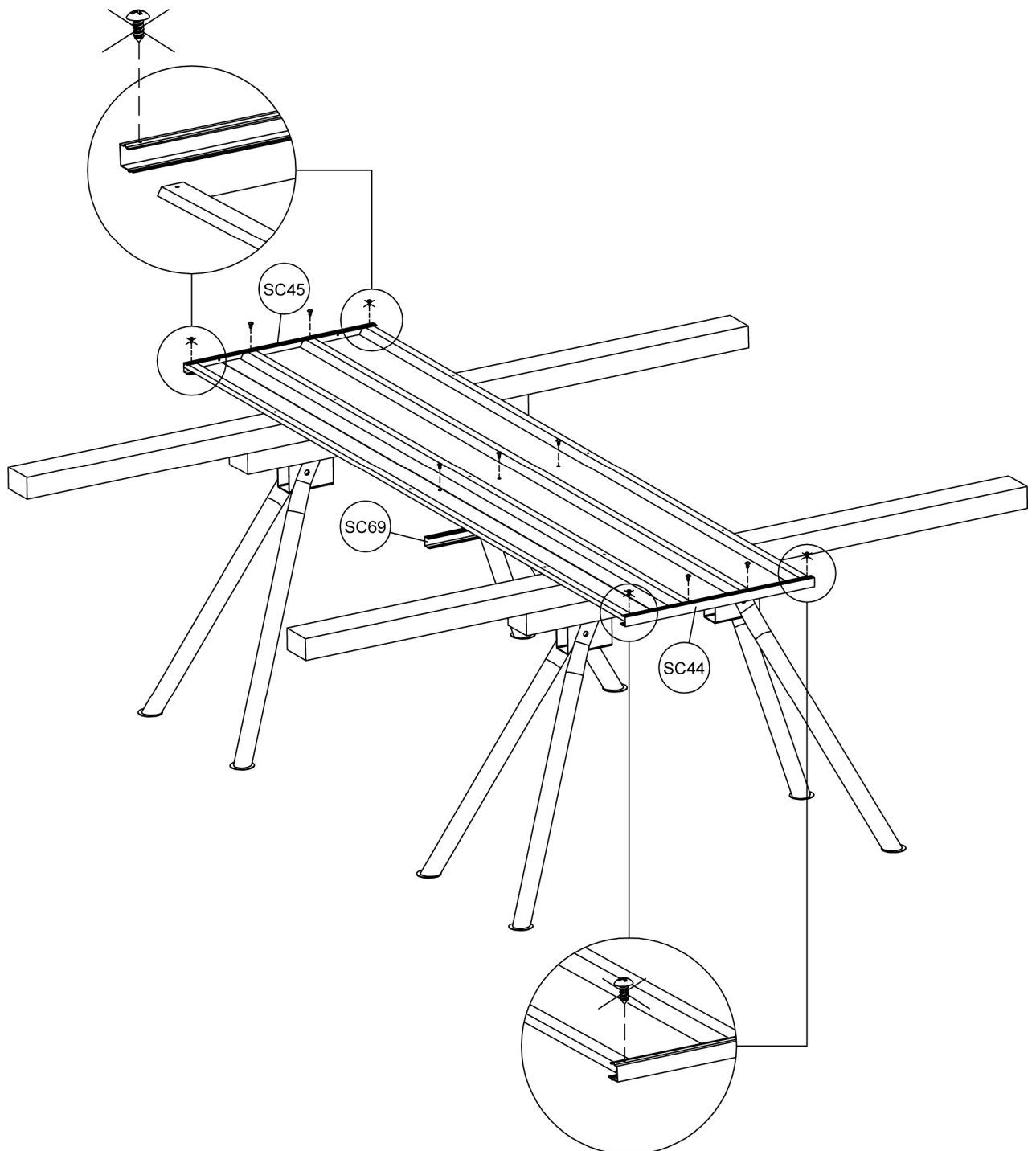


Diagram 4

- 4 Orient your wall so that the outside face of the wall is facing up and the bottom channel SC44 is closest to you. Take the corner angle SZ01 and attach it to the left-hand edge of your wall. You can now put in the end screws in on this side, leave the other side out until later in the process. This will be used to join other walls later.

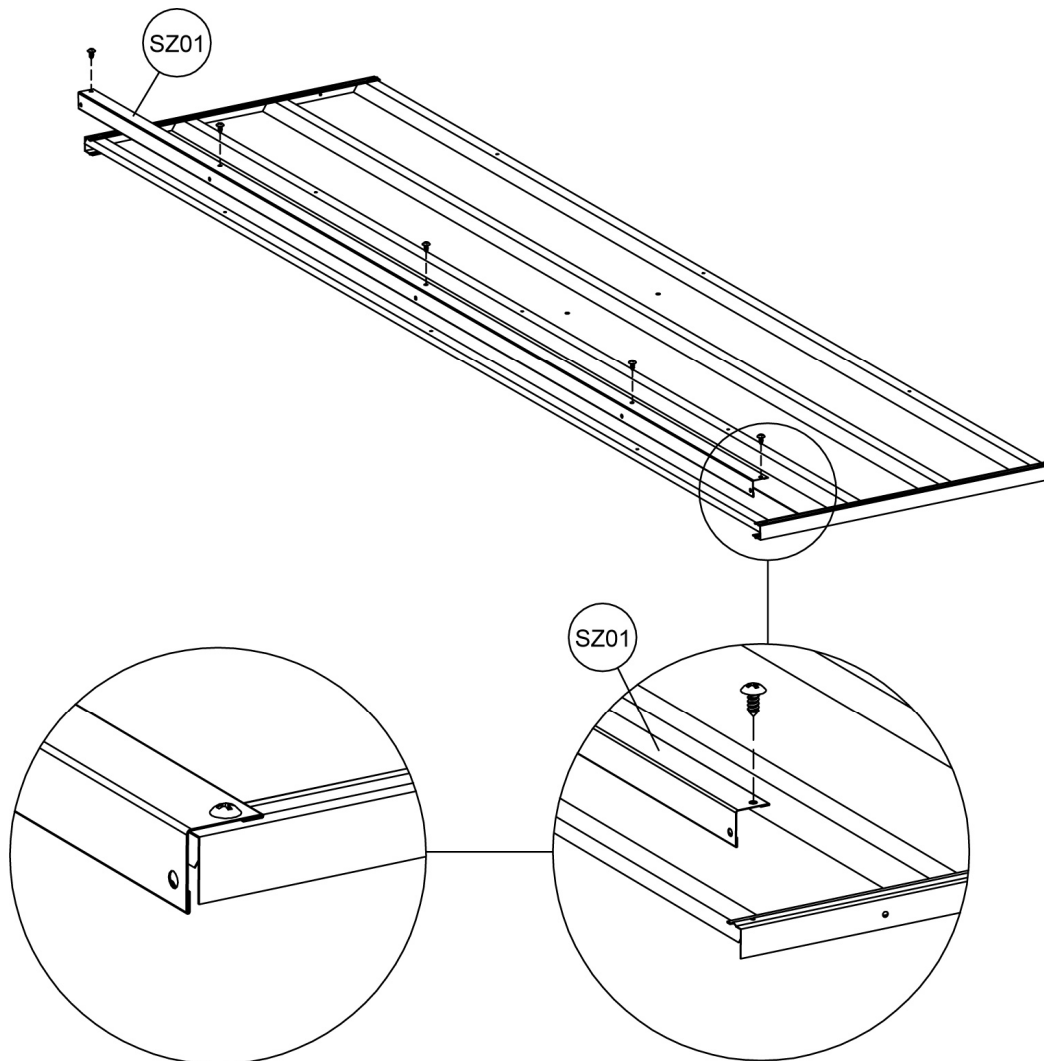


Diagram 5

**You have now completed the assembly of this module**

## **What's next?**

You will have some screws left over. Don't worry you haven't forgotten anything; we give you more than you need.

Put your 400mm x 1900mm wall in a safe place where it won't get stepped on, blown over or otherwise damaged and move onto the next wall or roof.