

Wall 800 with a single hinged door

This module will enable you to construct a 800mm x 1900mm wall with a single hinged door that will be used in your new garden shed.

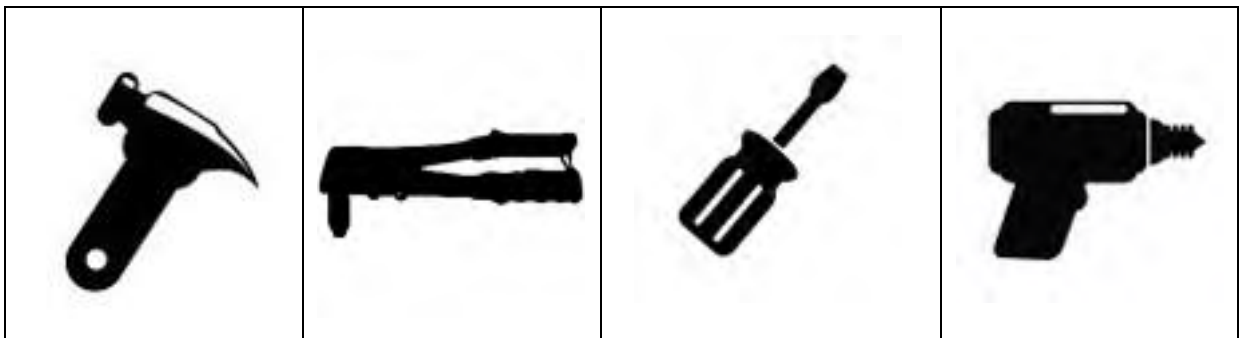
Before you begin the build

Just like our sheds, our manuals are designed in modules to make assembly easier and simpler. Your shed will have come in 5 or 6 boxes that are easy to handle. Each carton contains one shed module together with instructions on how to assemble that module. You begin by assembling your wall modules, then your roof modules and finally you put those modules together to erect your shed.

The key to a hassle free shed assembly is to take your time and have your work area and shed base well prepared prior to starting the build. We suggest that before you go any further, if you haven't already, locate your roof module carton and find the instructions. The roof module instructions contain details on site preparation, your first job, and module assembly and anchoring your shed to the base. **So before you go any further, read the roof module instructions, it will save you time and frustration.**

If you have already read about site preparation – onward.

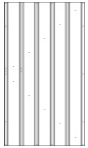








Tools you will need.








Check the contents


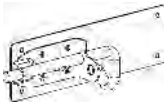


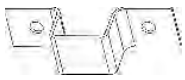
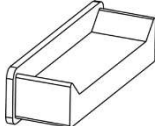

Before you start to construct this wall you will need to check off all of the contents

Parts checklist for a 800 wall with a single hinged door

Picture	Description	Component	Location	Part No.	QTY	Check
	Door	Sheet 1845x717	Door	SD01	1	
	Channel	Channel 1843	Door	24A	1	
	Channel	Channel 1843	Door	24B	1	
	Channel	Channel 716	Door	M1	1	
	Channel	Channel 716	Door	M2	1	
	Brace	Brace 995	Door	U6	2	
	Channel	Channel 768	Door	21G	1	
	Channel	Channel 723	Door	B2	1	
	Channel	Channel 768	Door	SC14	1	
	Channel	Channel 1898	Door	22	1	
	Channel	Channel 1898	Door	22F	1	
	Jamb	Jamb 1898	Door	SJ02	1	

Picture	Description	Component	Location	Part No.	QTY	Check
	Jamb	Jamb 1898	Door	SJ03	1	
	Jamb	Jamb 723	Door	D4	1	
	Jamb	Jamb 1898	Door	SZ02	1	
	Bracket	Bracket	Door	D5	2	
	Brace	Brace	Door	w	1	

Fittings Pack

Picture	Component	QTY	Picture	Component	QTY
	Self tapping screws(10mm)	35		Pad bolt (70)	1
	Self tapping screws(16mm)	15		4*10mm Rivet	6
	Keeper (71)	1		White plastic stopple	4
	3*10mm Rivet	40			

If you are missing anything call The Garden Shed Hotline 1300 781 230

Start the Build

Here is what you are building. It is a 800mm wide x 1900mm high wall with a single hinged door. This type of wall is typically a side or front wall for your shed.

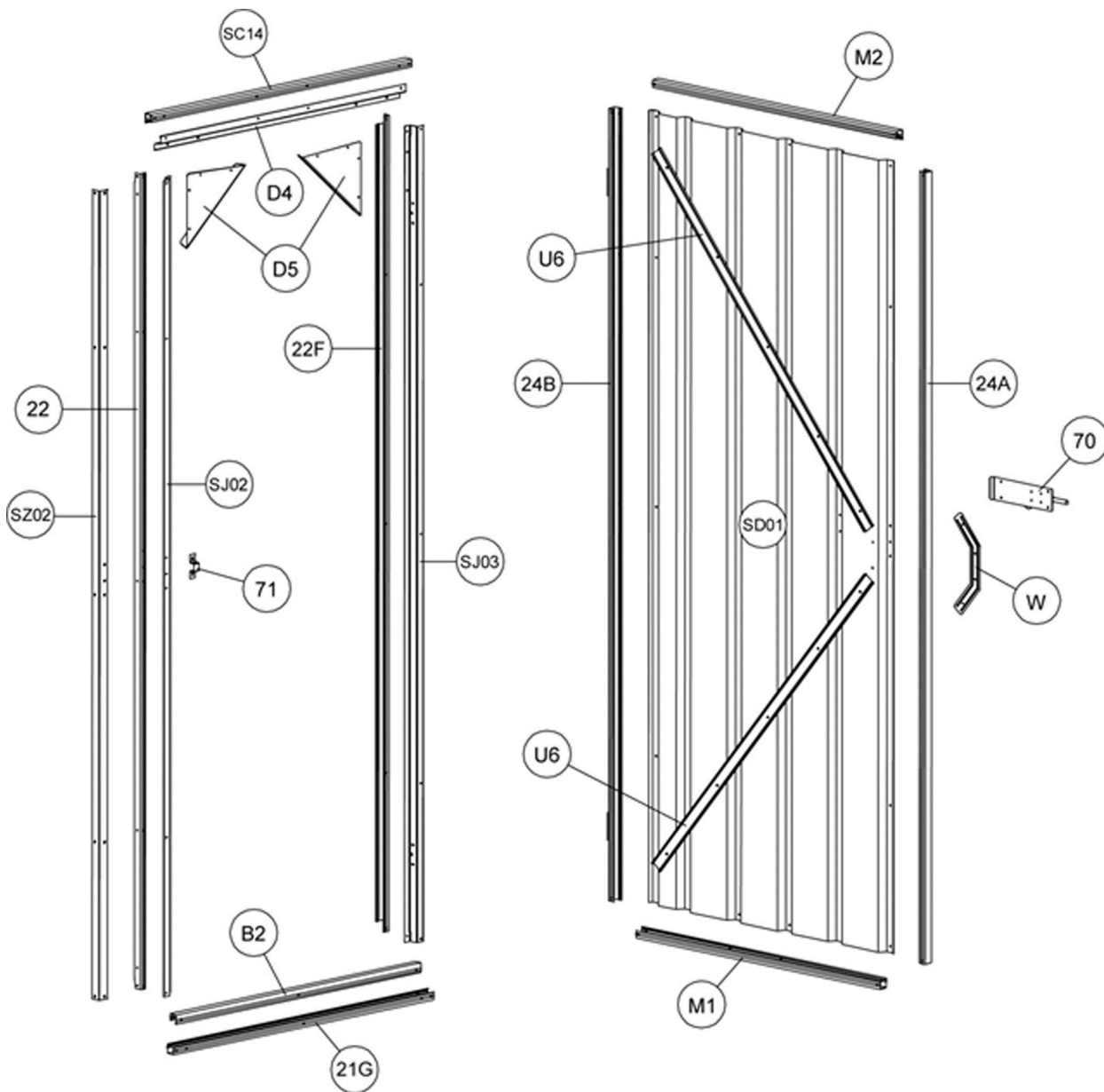


Diagram 1 – View from the inside

Assembly Instructions

- 1 Place the SD01 sheet on your workbench. Attach M2, M1, 24A and 24B channels using 3.0*10mm rivets as per diagram 2.

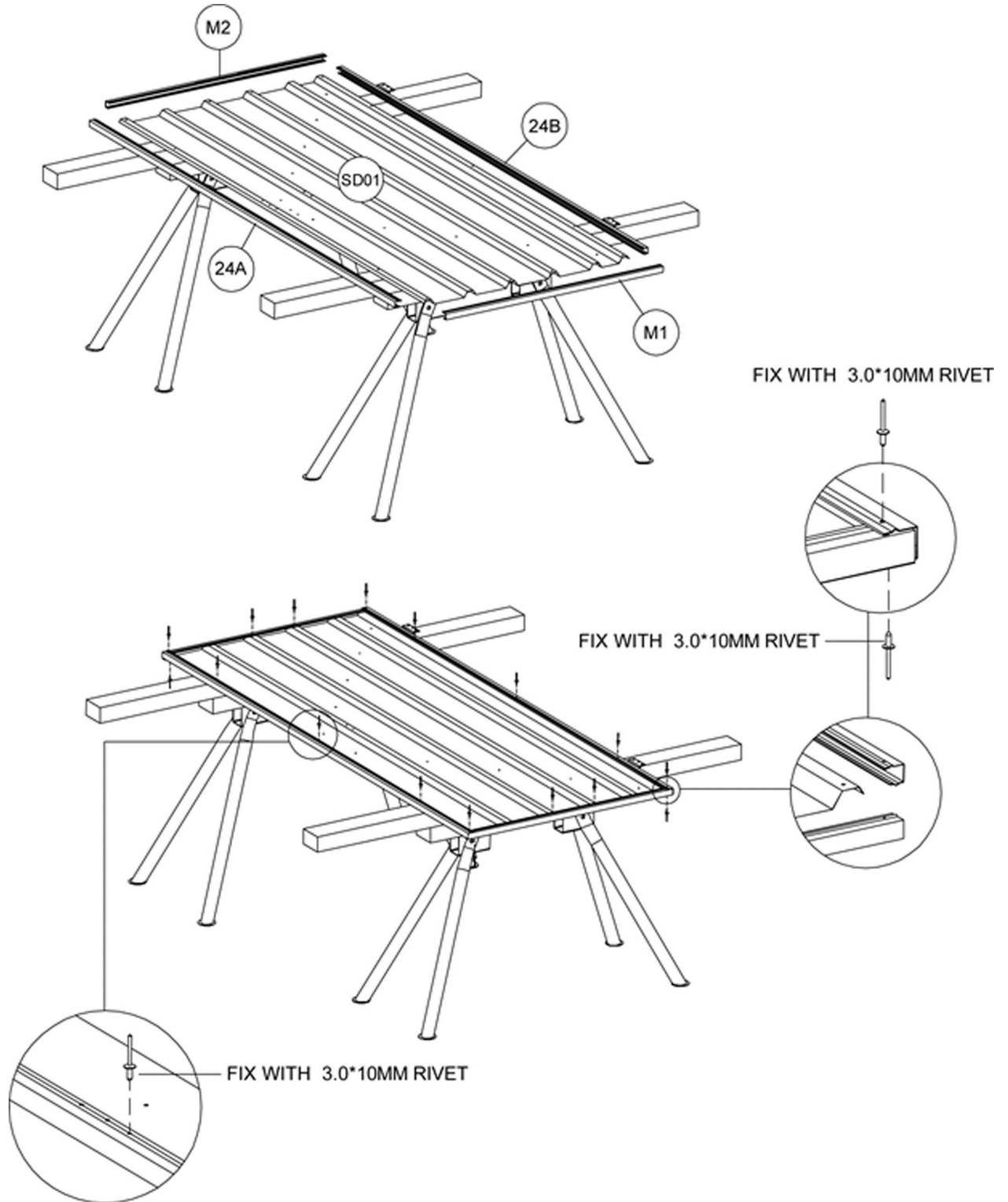
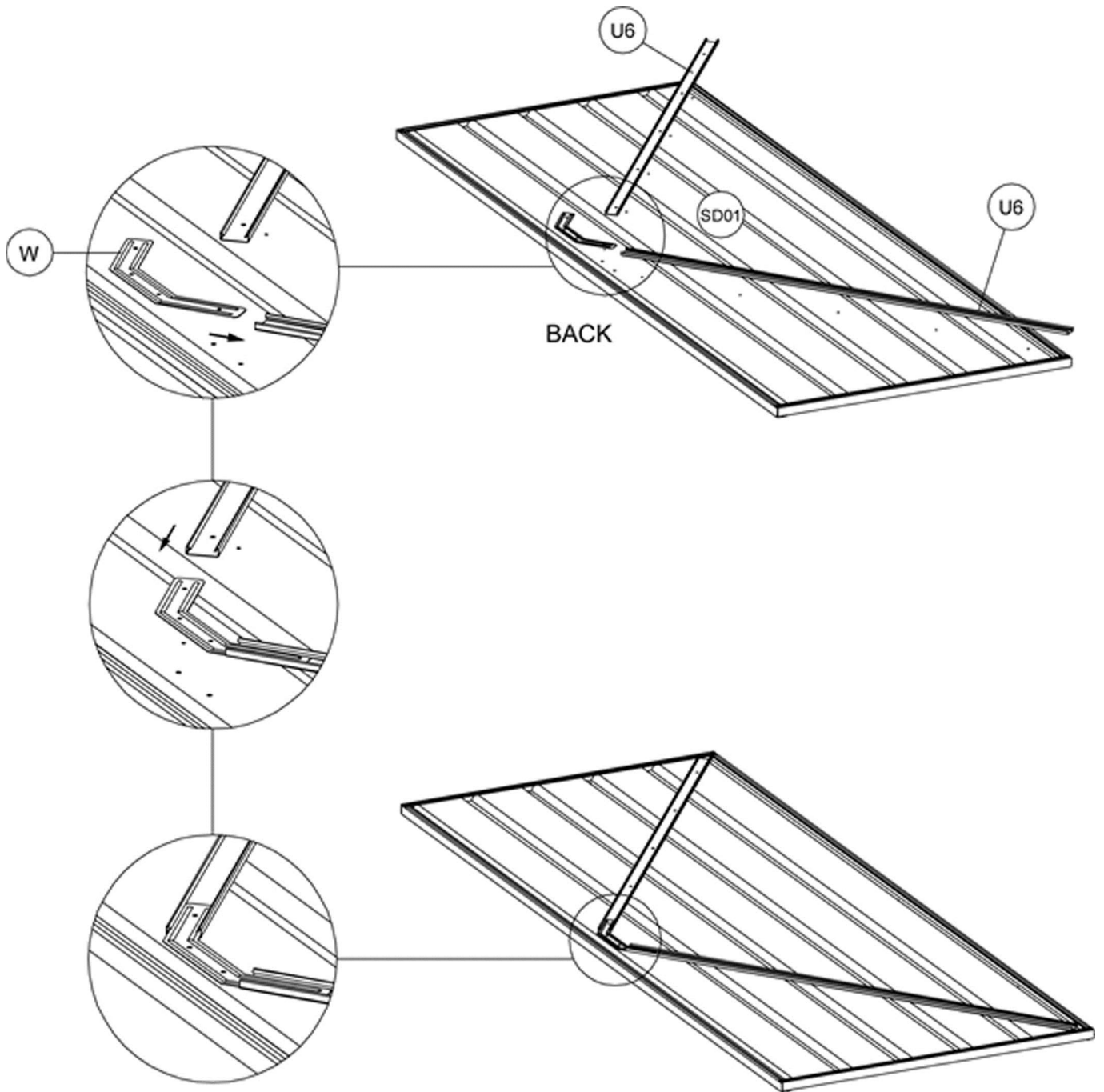
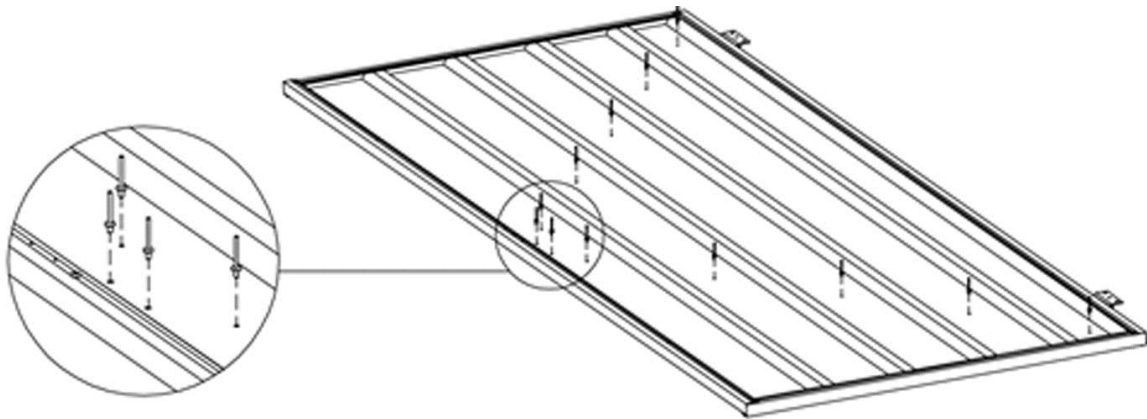


Diagram 2

2 Now attach W and U6 door bracing using 3.0*10mm rivets as per diagrams 3 & 4





FIX WITH 3.0*10MM RIVET

Diagram 4

3 Fit the white plastic stopple as per diagram 5 to ensure no sharp edges.

WHITE PLASTIC STOPPLE

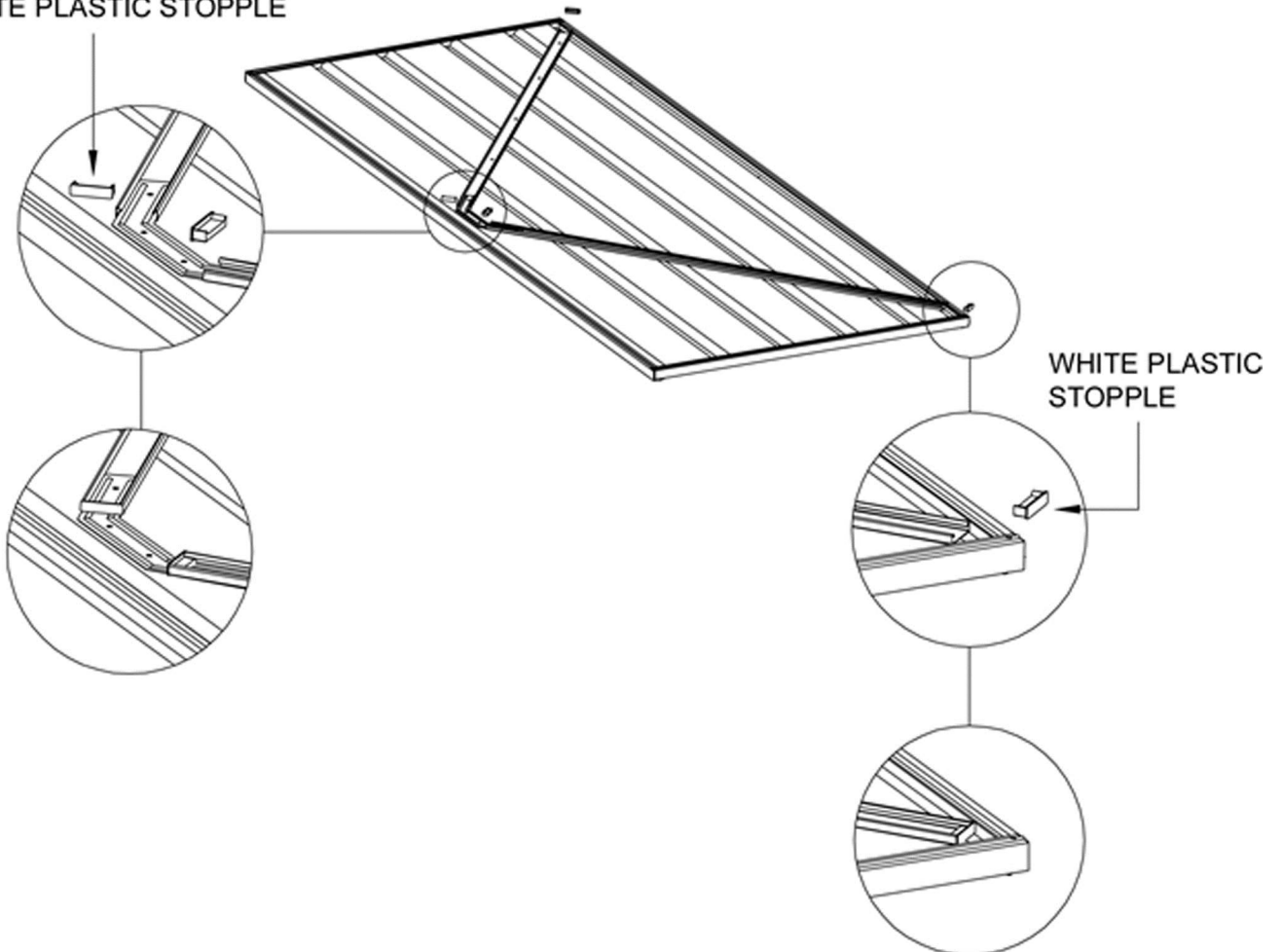


Diagram 5

- 4 Assemble the door frame: Lay out the channel pieces on your work table as per diagram 6. Using 10mm self-tapping screws, join 22 to SJ02, then join 22F to SJ03. Now join SC14 top channel and 21G bottom channel. Leave the screws marked with the cross out for now, you will put these in later.

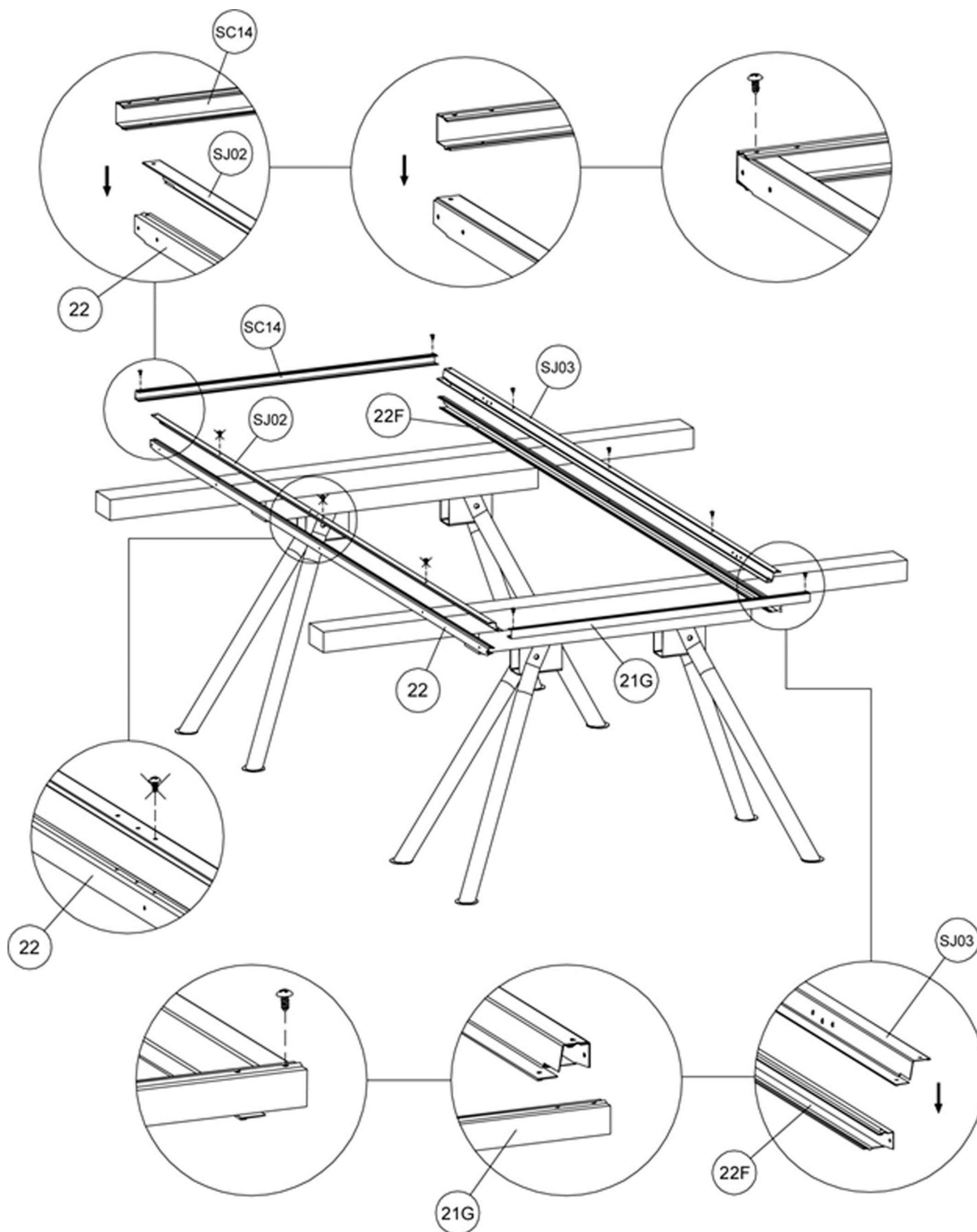


Diagram 6

- 5 Fit D4 top jamb and B2 bottom channel as per diagram 7, using 10mm self-tapping screws.

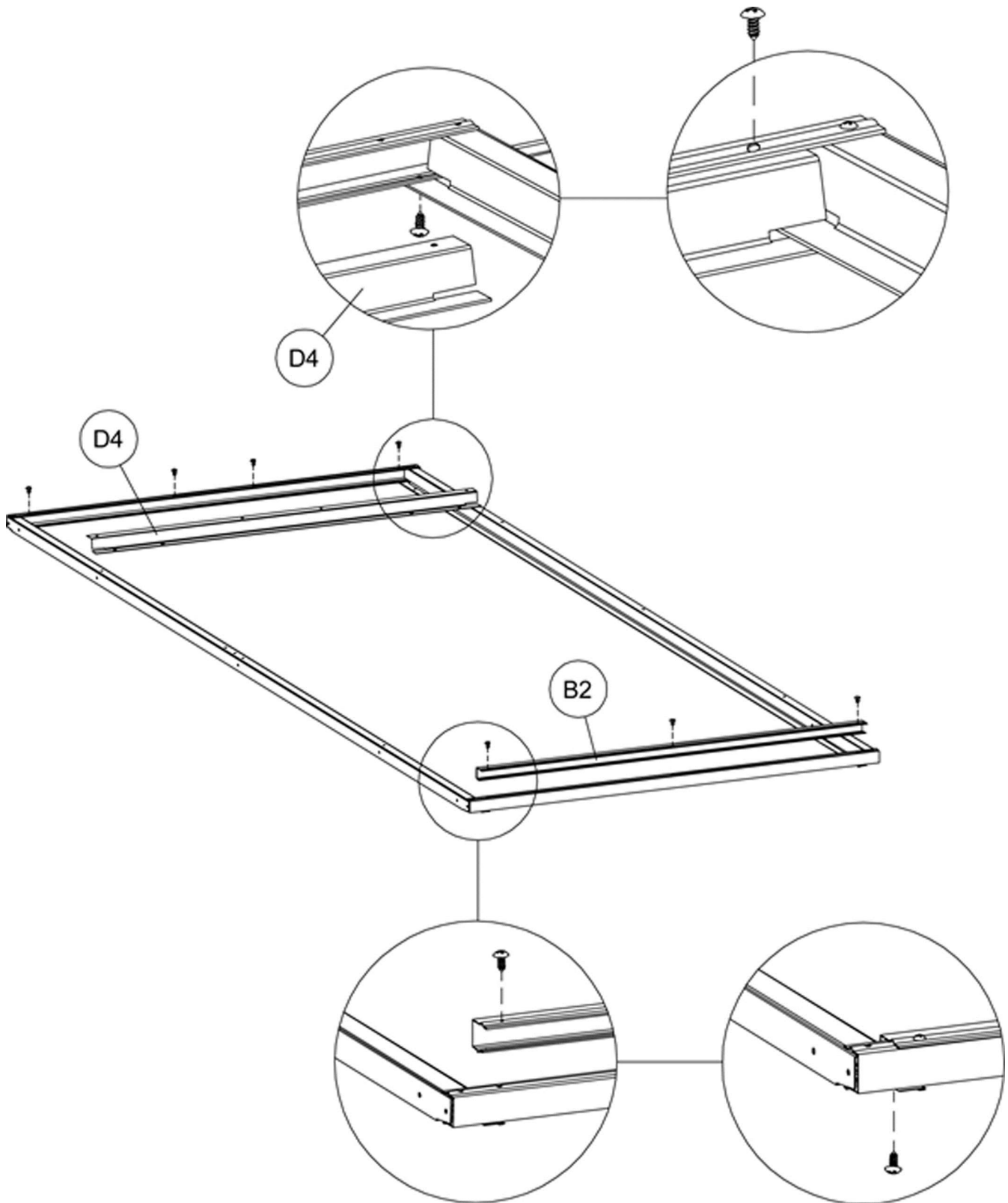


Diagram 7

6 Fit D5 brackets as per diagram 8, using 10mm self-tapping screws.

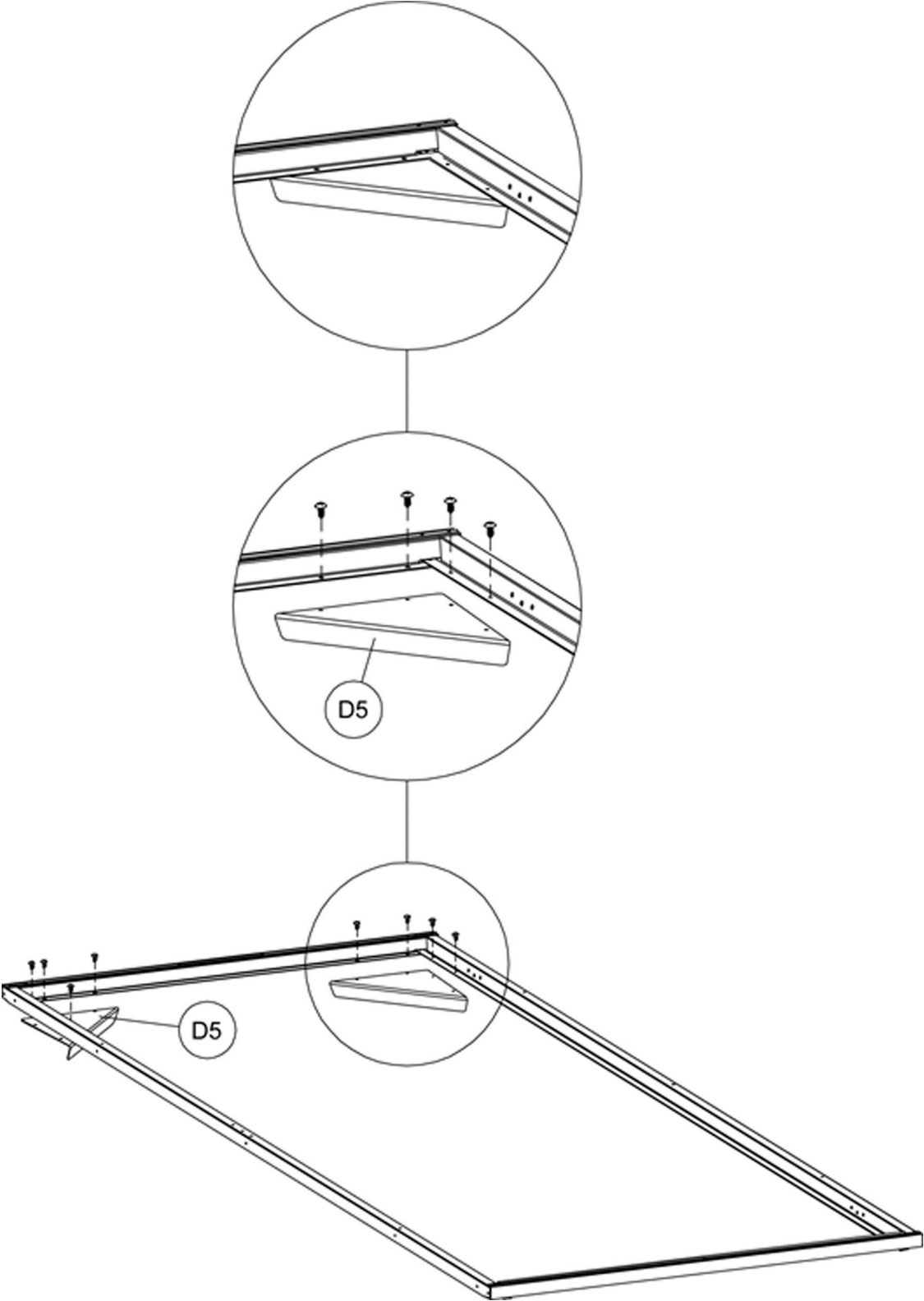
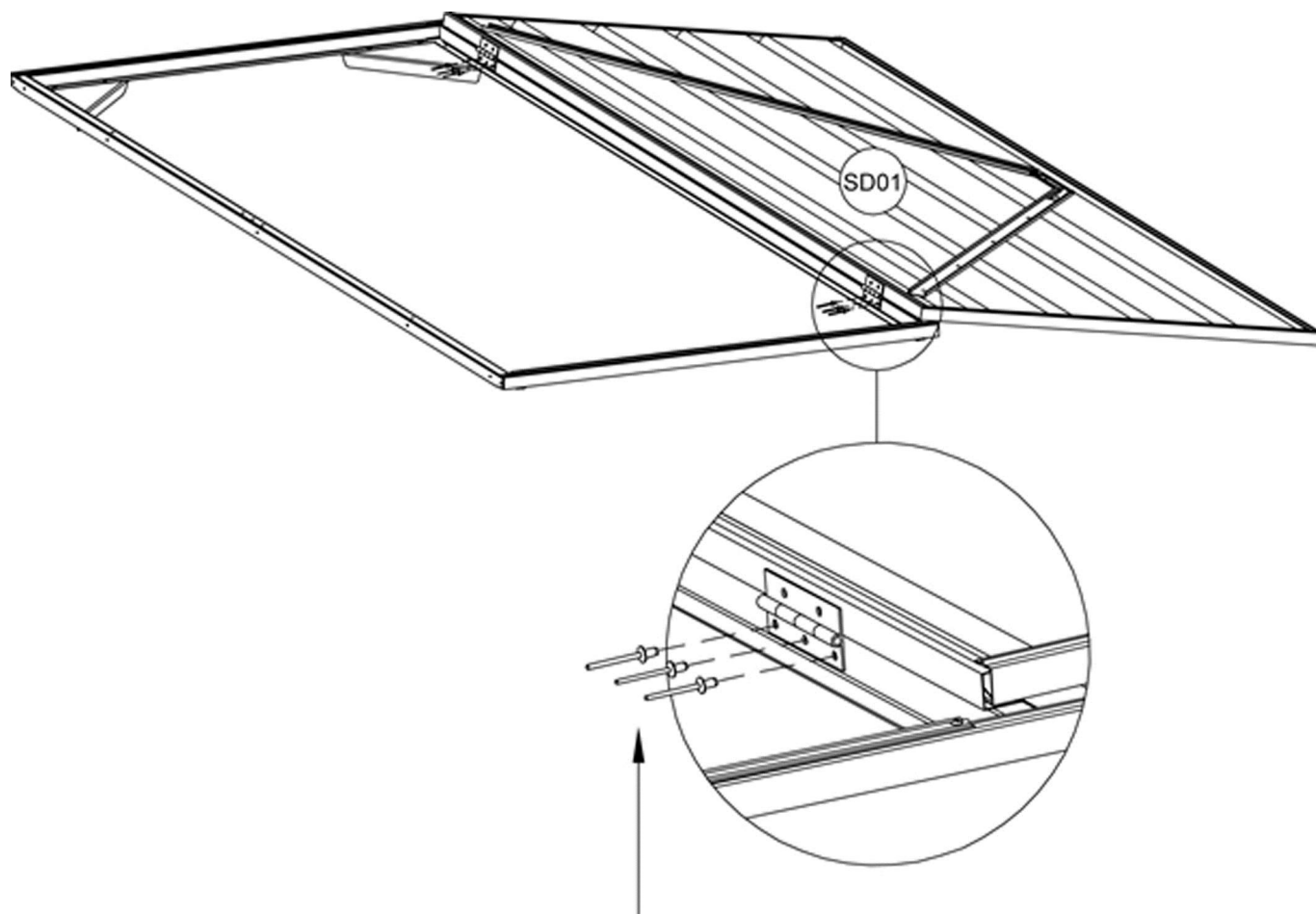


Diagram 8

7 Attach door as per diagram 9 using 4.0*10mm rivets.



FIX WITH 4.0*10MM RIVET
Diagram 9

- 8 Attach 70 pad bolt as per diagram 10. You can use rivets or screws. For security purposes, we recommend that you use rivets. SZ02 and 71 will be used when you are assembling the walls. Put them aside in a safe place.

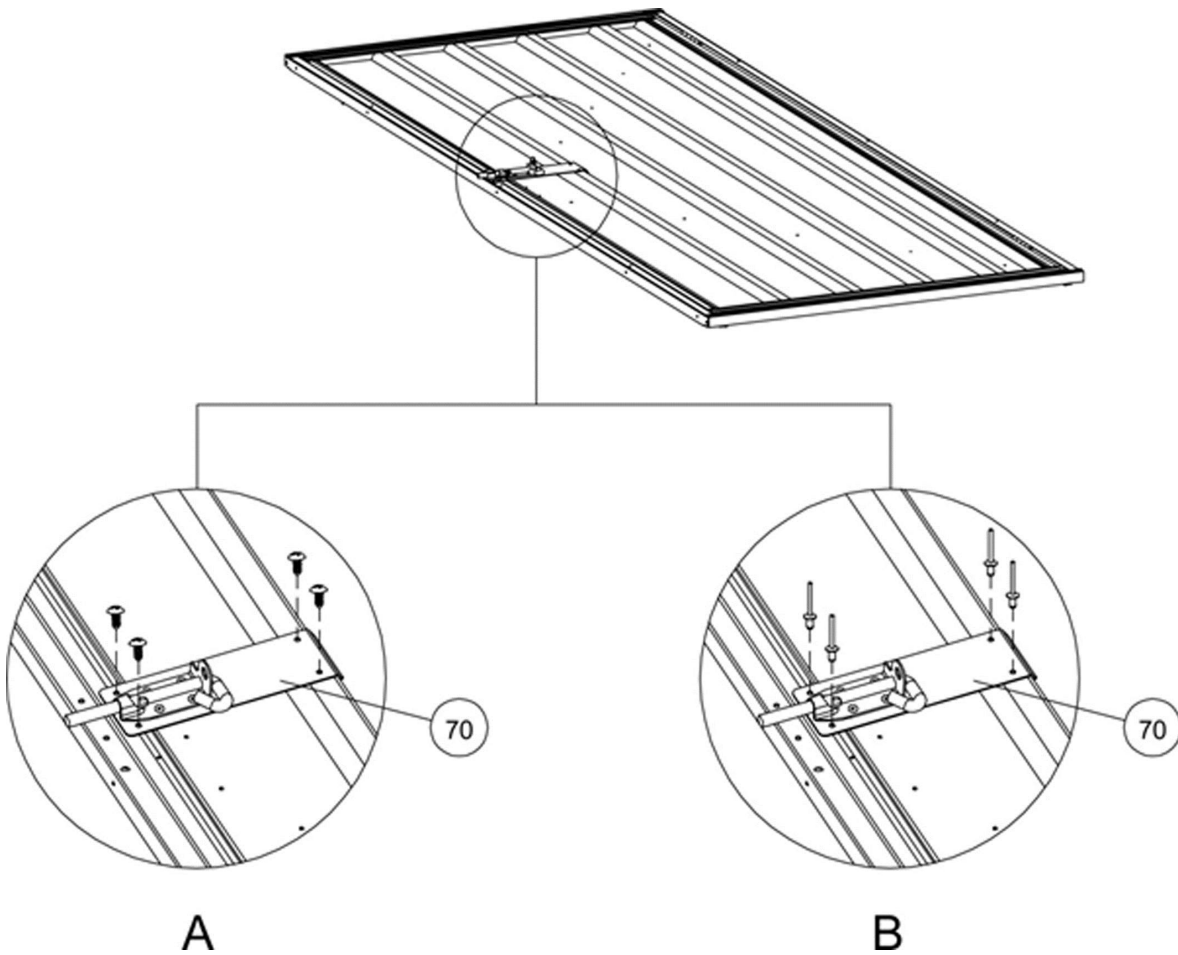


Diagram 10

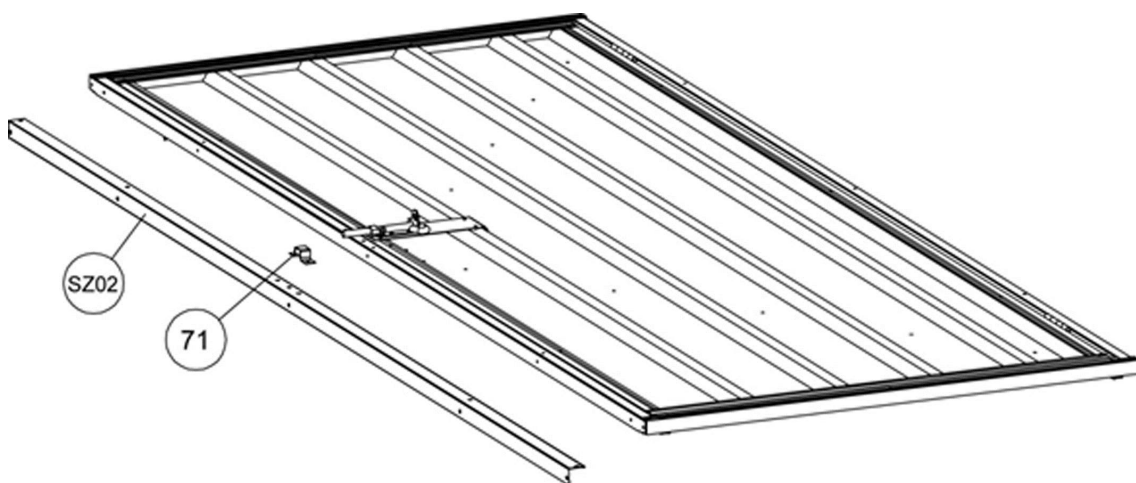


Diagram 11

You have now completed the assembly of this module

What's next?

You will have some screws left over. Don't worry you haven't forgotten anything; we give you more than you need.

Put your 800mm x 1900mm wall with one hinged door to one side in a safe place where it won't get stepped on, blown over or otherwise damaged and move onto the next wall. If this was the fourth wall you have constructed the next job is the roof.