

## Wall 800 with no door

This module will enable you to construct a 800mm x 1900mm wall with no door that will be used in your new garden shed.

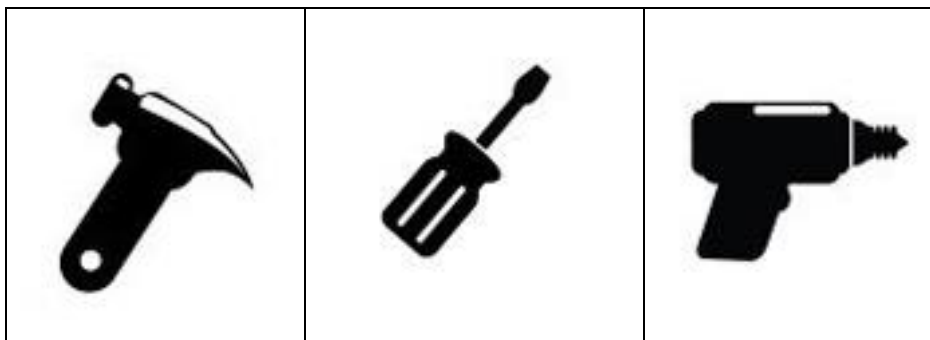
### Before you begin the build

Just like our sheds, our manuals are designed in modules to make assembly easier and simpler. Your shed will have come in 5 or 6 boxes that are easy to handle. Each carton contains one shed module together with instructions on how to assemble that module. You begin by assembling your wall modules, then your roof modules and finally you put those modules together to erect your shed.

The key to a hassle free shed assembly is to take your time and have your work area and shed base well prepared prior to starting the build. We suggest that before you go any further, if you haven't already, locate your roof module carton and find the instructions. The roof module instructions contain details on site preparation, your first job, and module assembly and anchoring your shed to the base. **So before you go any further, read the roof module instructions, it will save you time and frustration.**

If you have already read about site preparation – onward.

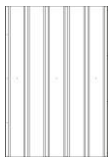




### *Tools you will need.*




## Check the contents

Before you start to construct this wall you will need to check off all of the contents.

### Parts checklist for an 800 wall with no door

Picture	Description	Component	Location	Part No.	QTY	Check
	Sheet	Sheet 1900x770	Wall	9M	1	
	Channel	Channel 768	Wall	SC01	1	
	Channel	Channel 768	Wall	SC02	1	
	Channel	Channel 661	Wall	SC03	1	
	Jamb	Jamb 1898	Wall	SZ01	1	

### Fittings Pack

Picture	Component	QTY	Picture	Component	QTY
	Self tapping screws(10mm)	18			

**If you are missing anything call The Garden Shed Hotline 1300 781 230**

## Start the Build

Here is what you are building. It is an 800mm wide x 1900mm high wall without any door. This type of wall is typically a side or back wall for your shed.

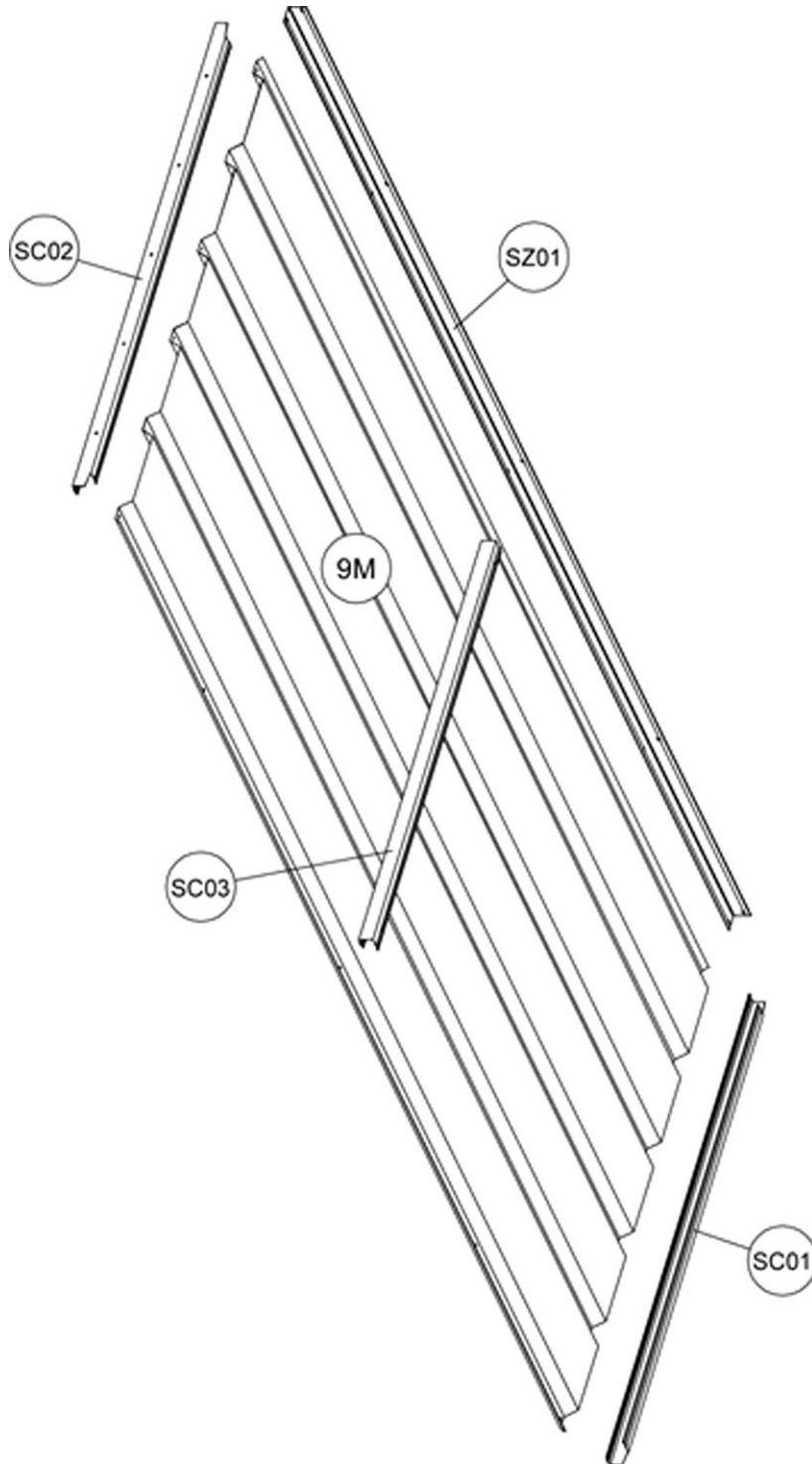


Diagram 1 – View from the inside

### Assembly Instructions

- 1 Place one 9M sheet on your work table. Fix the SC02 top channel and the SC01 bottom channel to the sheet with 10mm self-tapping screws as per the diagrams. You can either tap them on like diagram 2 or slide them on like diagram 3. Always ensure that the narrow lip of the channel is facing out.

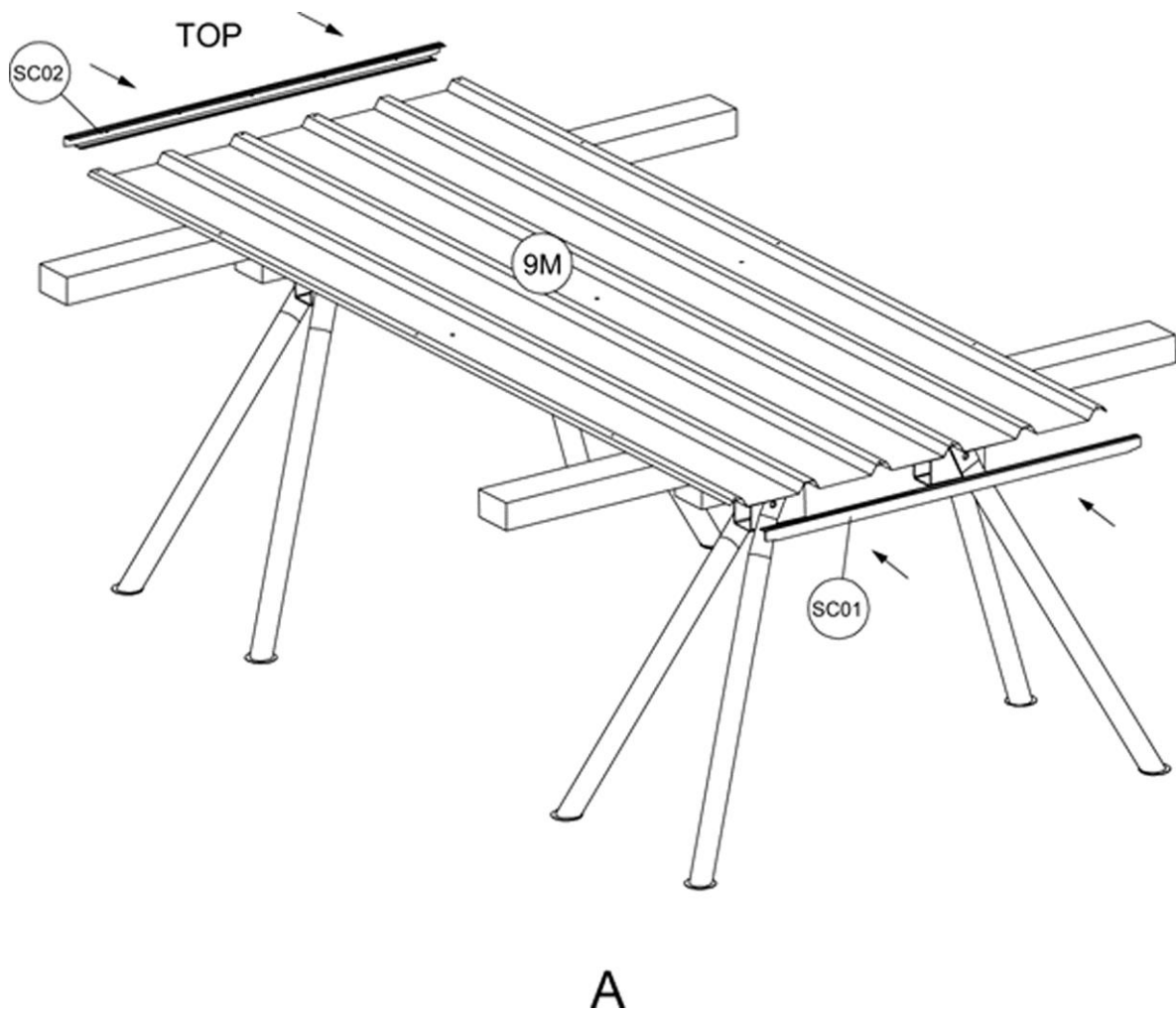
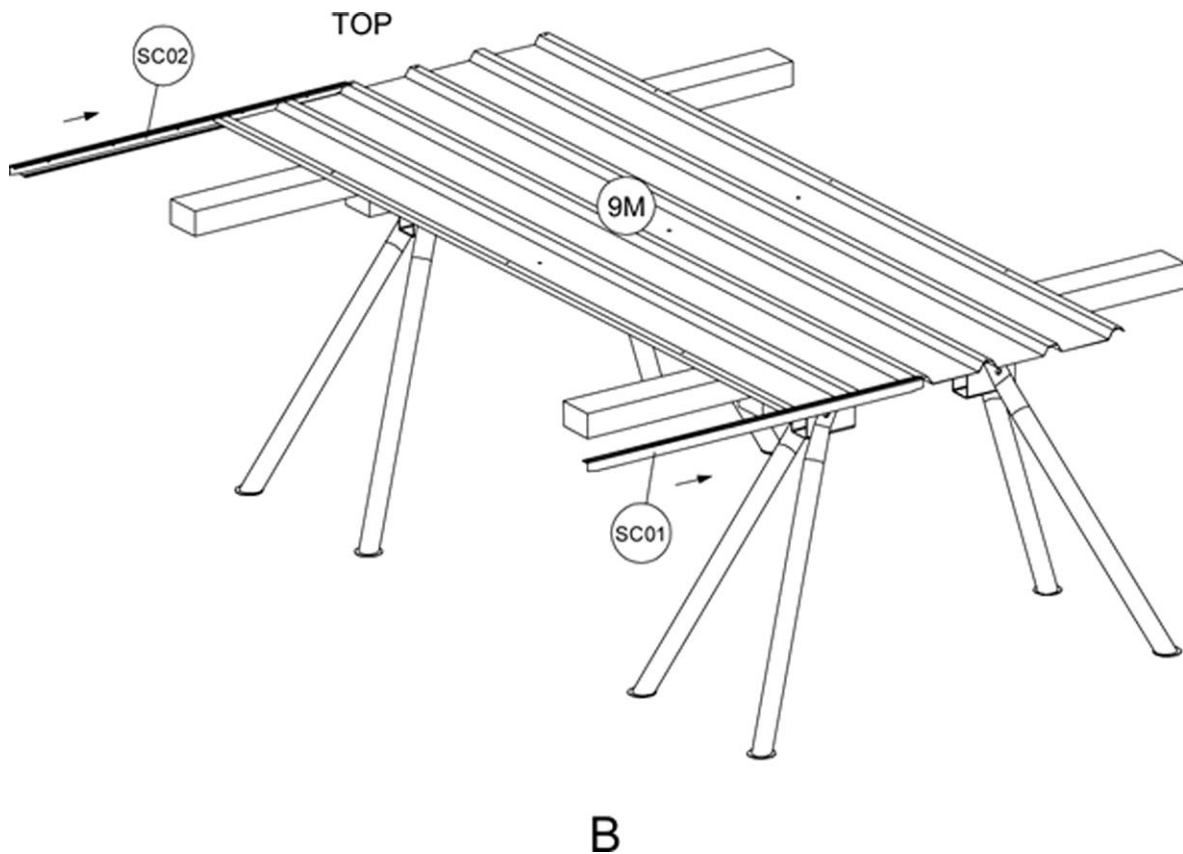


Diagram 2 – Tap on channels



*Diagram 3 – Slide on channels*

Make sure that the narrow lip of the channel is facing to the outside of the shed. This will ensure that rainwater drains away from your shed.

- 2 Attach the mid wall channel SC03 to the centre of the sheet with self-tapping screws. The “U” of the mid wall channel should face the bottom channel SC01. Then fix the top SC02 and bottom SC01 channels using only the centre screw. You will put in the end screws later in the process.

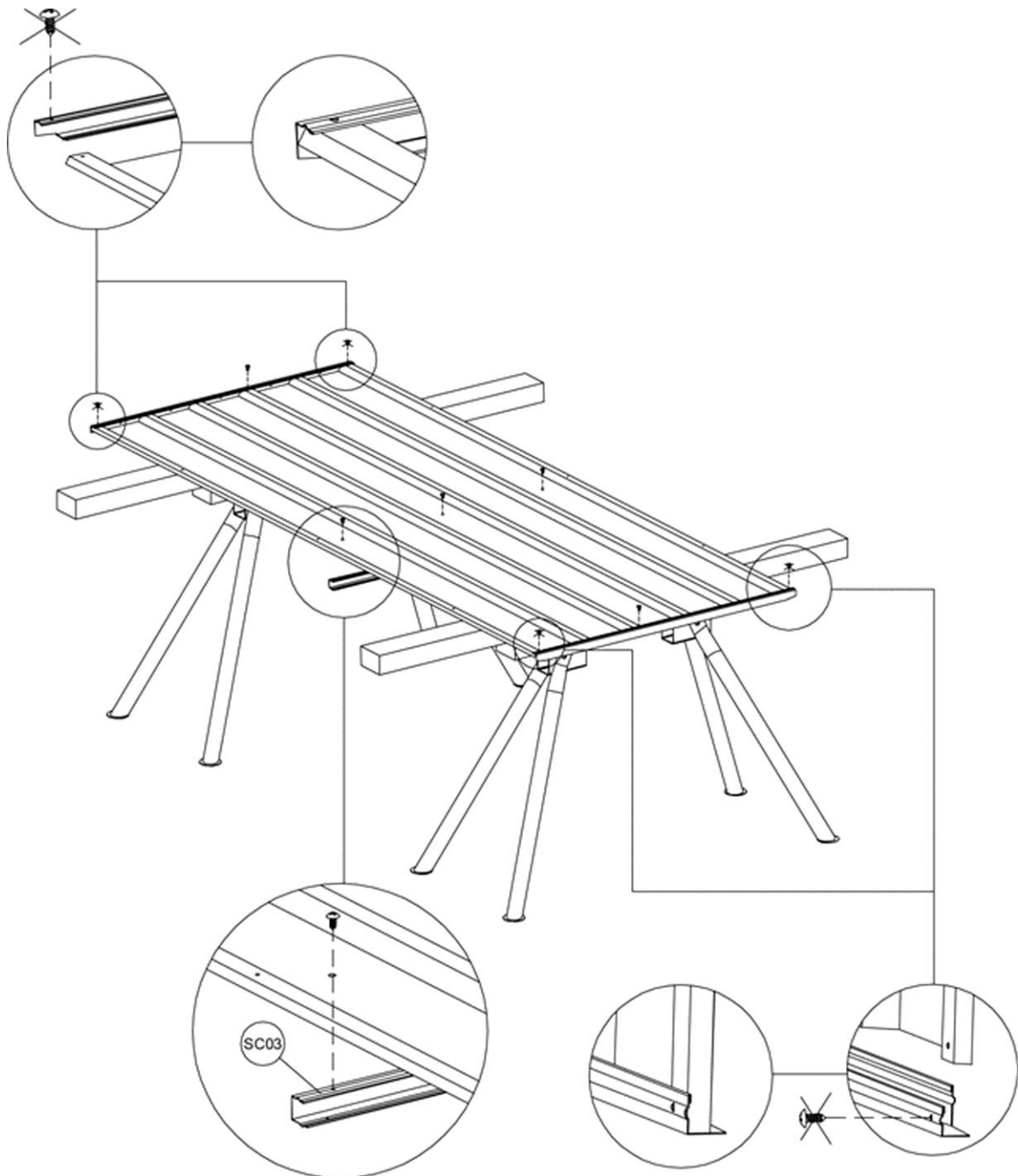
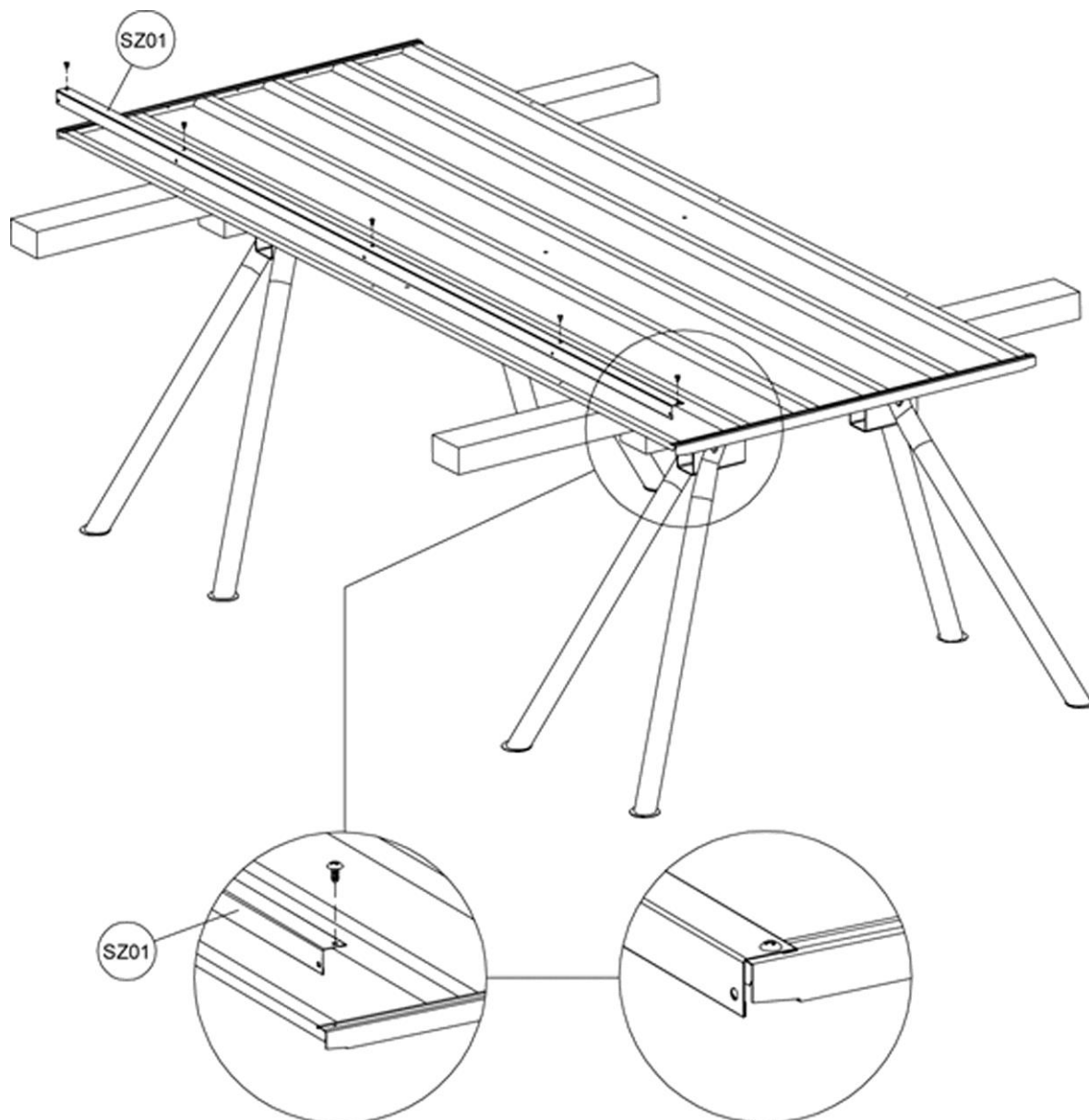


Diagram 4

- 3** Orient your wall so that the outside face of the wall is facing up and the bottom channels SC01 is closest to you. Take the corner angle SZ01 and attach it to the left hand edge of your wall. You can now put in the end screws in on this side, leave the other side out until later in the process. This will be used to join other walls later.



**You have now completed the assembly of this module**

## **What's next?**

You will have some screws left over. Don't worry you haven't forgotten anything; we give you more than you need.

Put your 800mm x 1900mm wall with no door to one side in a safe place where it won't get stepped on, blown over or otherwise damaged and move onto the next wall. If this was the fourth wall you have constructed the next job is the roof.