

Wall 1200 with a single hinged door

This module will enable you to construct a 1200mm x 1900mm wall with a single hinged door that will be used in your new garden shed.

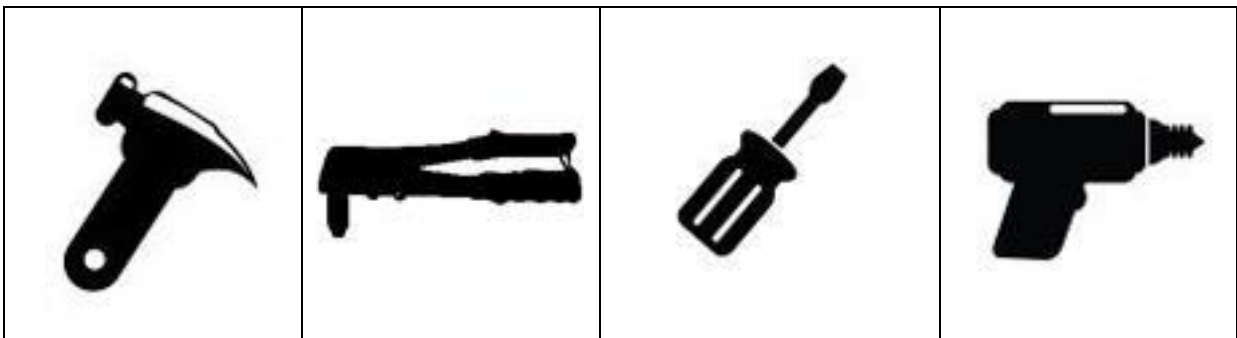
Before you begin the build

Just like our sheds, our manuals are designed in modules to make assembly easier and simpler. Your shed will have come in multiple boxes that are easy to handle. Each carton contains one shed module together with instructions on how to assemble that module. You begin by assembling your wall modules, then your roof modules and finally you put those modules together to erect your shed.

The key to a hassle free shed assembly is to take your time and have your work area and shed base well prepared prior to starting the build. We suggest that before you go any further, if you haven't already, locate your roof or joiner module carton and find the instructions. These instructions contain details on site preparation, your first job, and module assembly and anchoring your shed to the base. **So, before you go any further, read the roof or joiner module instructions, it will save you time and frustration.**

If you have already read about site preparation – onward.

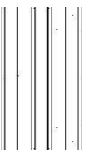
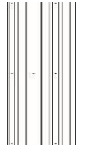

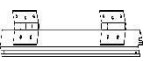






Tools you will need.



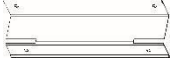
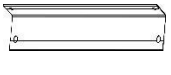
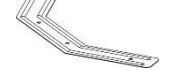



Check the contents



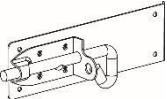
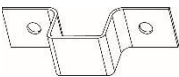
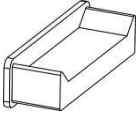



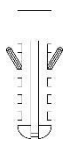
Before you start to construct this wall, you will need to check off all of the contents.

Parts checklist for a 1200 wall with a single hinged door

Picture	Description	Component	Location	Part No.	QTY	Check
	Door	Sheet 1845x770	door	5R	1	
	Sheet	Sheet 1900x380		SS21	1	
	Channel	Channel 1843	door	24A	1	
	Channel	Channel 1843	door	24B	1	
	Channel	Channel 768	door	21C	2	
	Brace	brace 1075	door	U4	2	
	Channel	Channel 1212		SC63	1	
	Channel	Channel 1212		SC64	1	
	Channel	Channel 775		23	1	
	Channel	Channel 330		SC65	1	

Picture	Description	Component	Location	Part No.	QTY	Check
	Jamb	jamb 1898		41A	1	
	Jamb	jamb 1898		SJ14	1	
	Jamb	jamb 775		42	1	
	Jamb	Jamb 1898		SZ02	1	
	Brace	Brace	door	W	1	
	Door Ramp	Door Ramp	Door	U16	1	

Fittings Pack

Picture	Component	QTY	Picture	Component	QTY
	Self tapping screws(10mm)	30		Self tapping screws(16mm)	10
	Pad bolt (70)	1		Keeper (71)	1
	White plastic stopple	4		3*10mm Rivet	40
	4*10mm Rivet	6		10#*1 1/2" Self-tapping screw	4
	Plug	4			

If you are missing anything call The Garden Shed Hotline 1300 781 230

Start the Build

Here is what you are building. It is a 1200mm wide x 1900mm high wall with a single hinged door. This type of wall is typically a side wall for your shed.

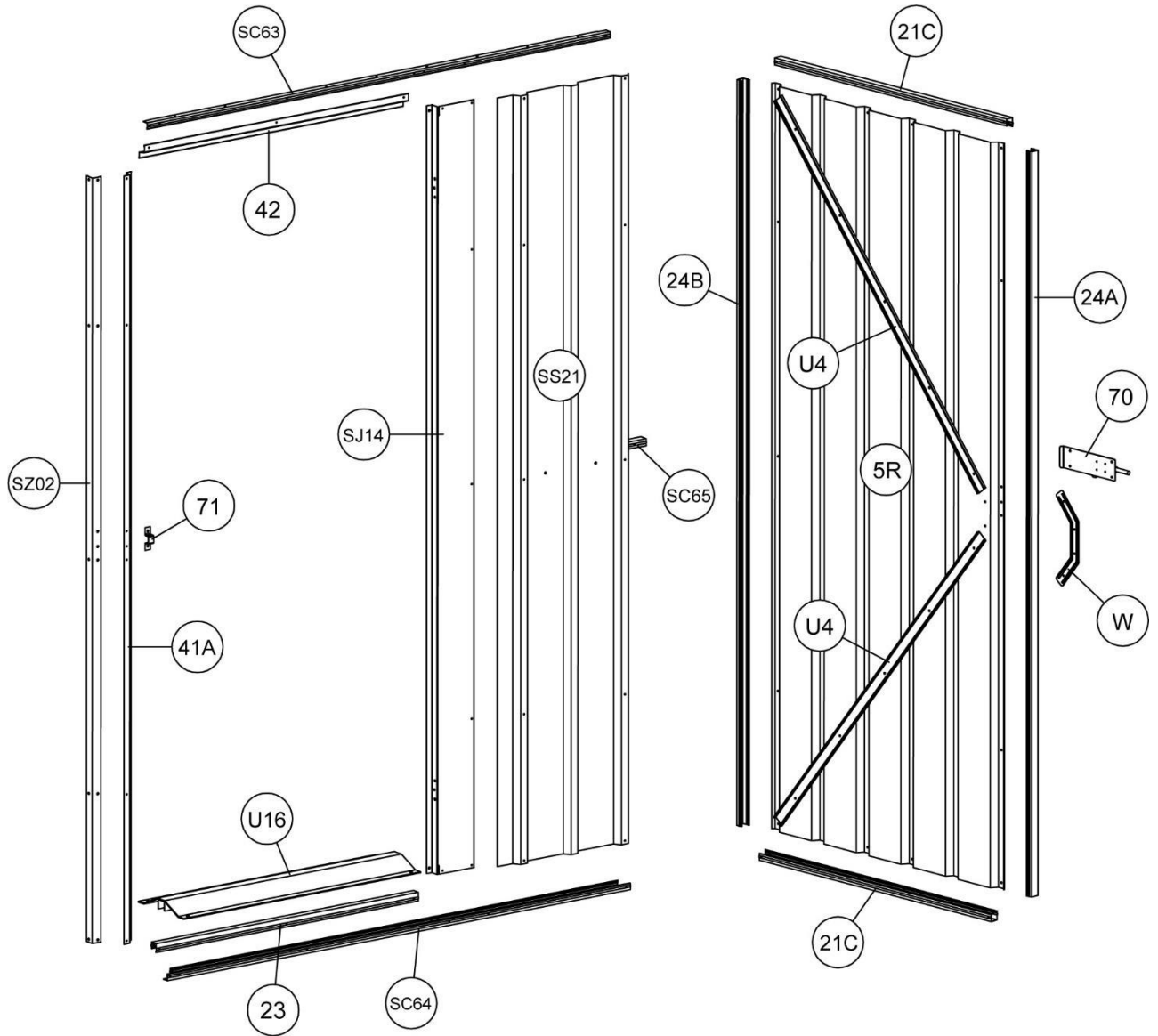


Diagram 1

Assembly Instructions

- 1 Place 5R sheeting on your workbench. Attach 2 x 21C, 24A and 24B channels using 3.0*10mm rivets as per the diagram 2.

Handy Hint –
The high side of channels 21C, 24A & 24B go on the outside of the door

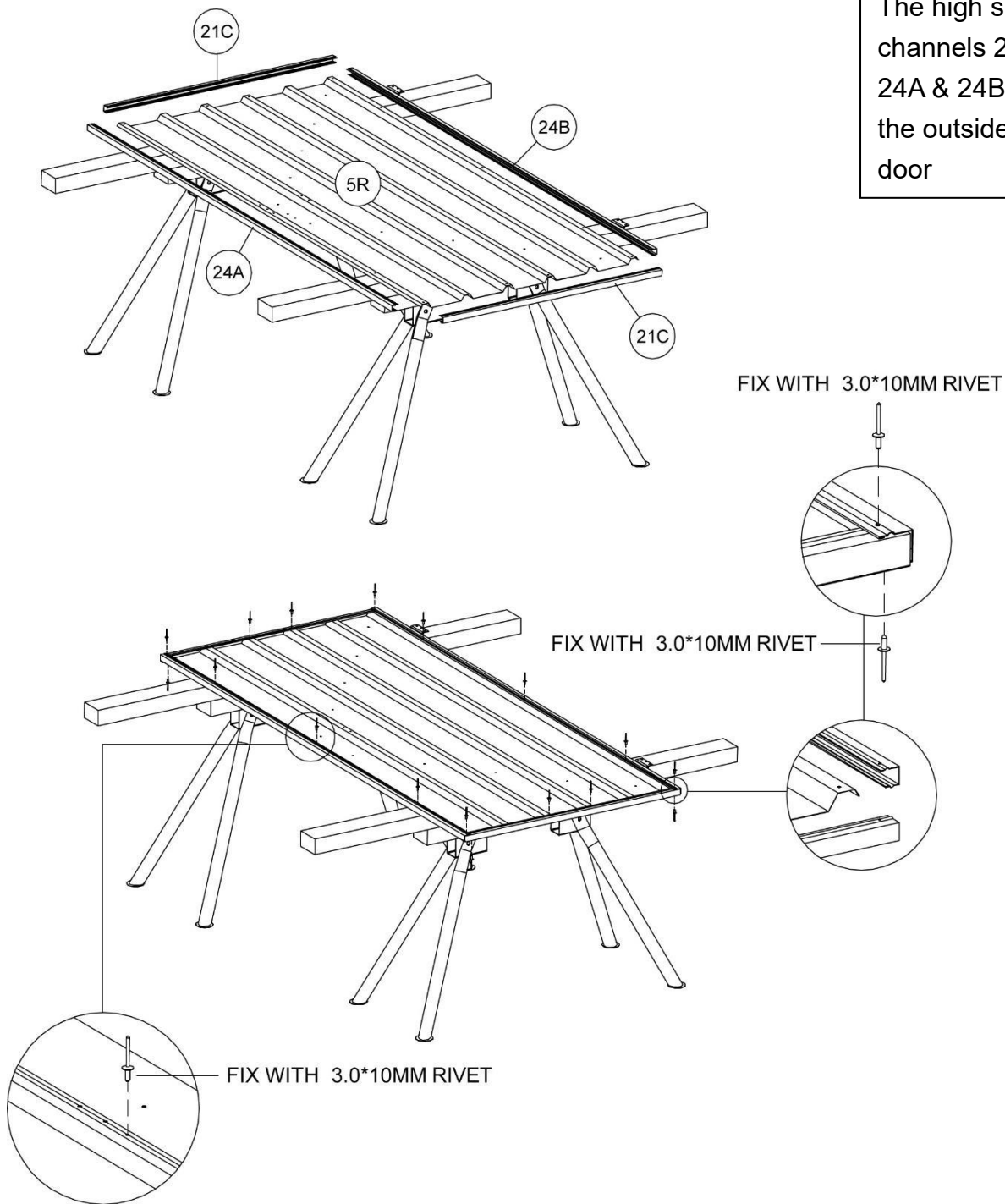


Diagram 2

- Now attach W and U4 door bracing using 3.0*10mm rivets as per diagrams 3 & 4. Fit the white plastic stopple as per diagram 5 to ensure no sharp edges.

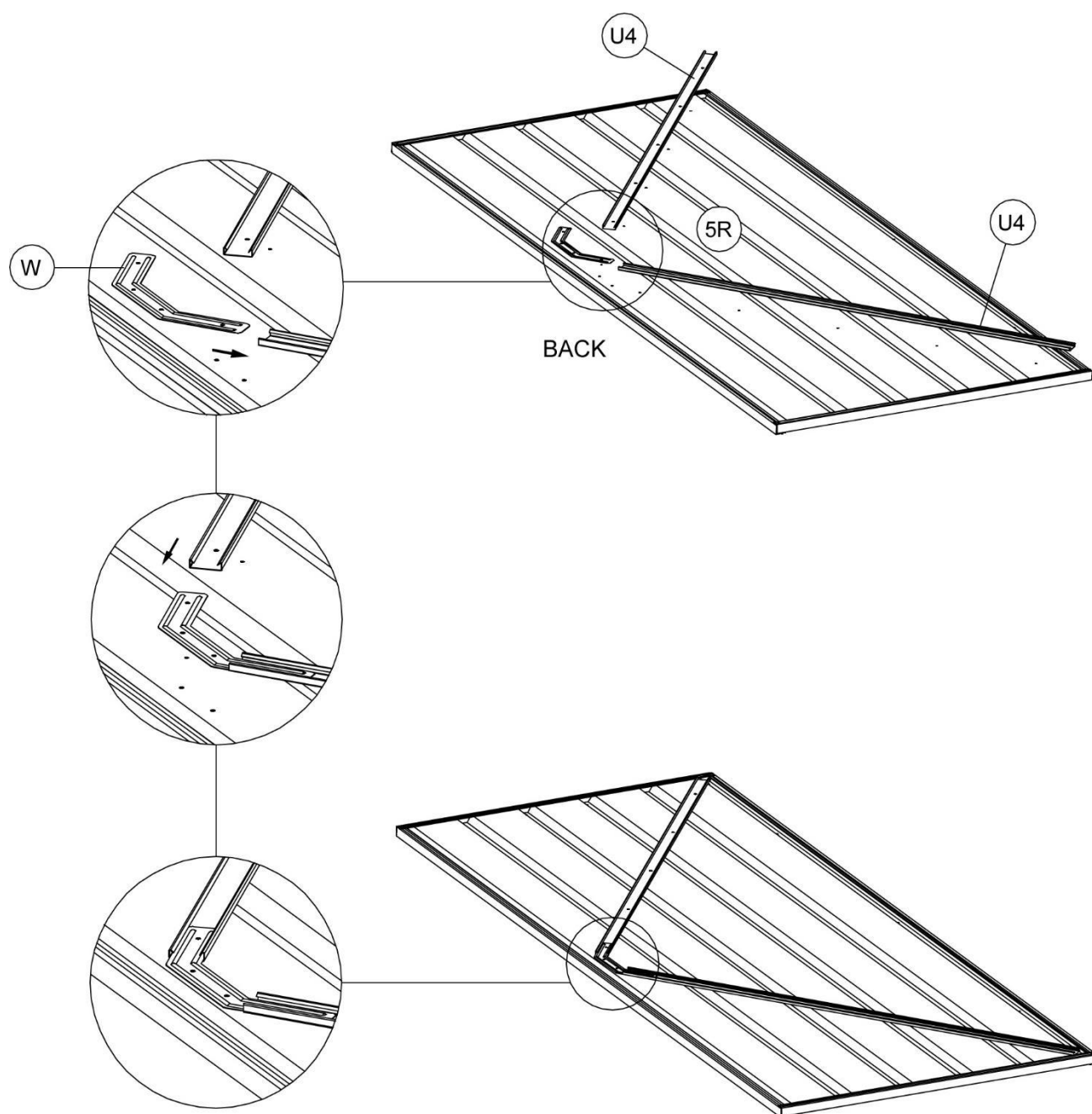
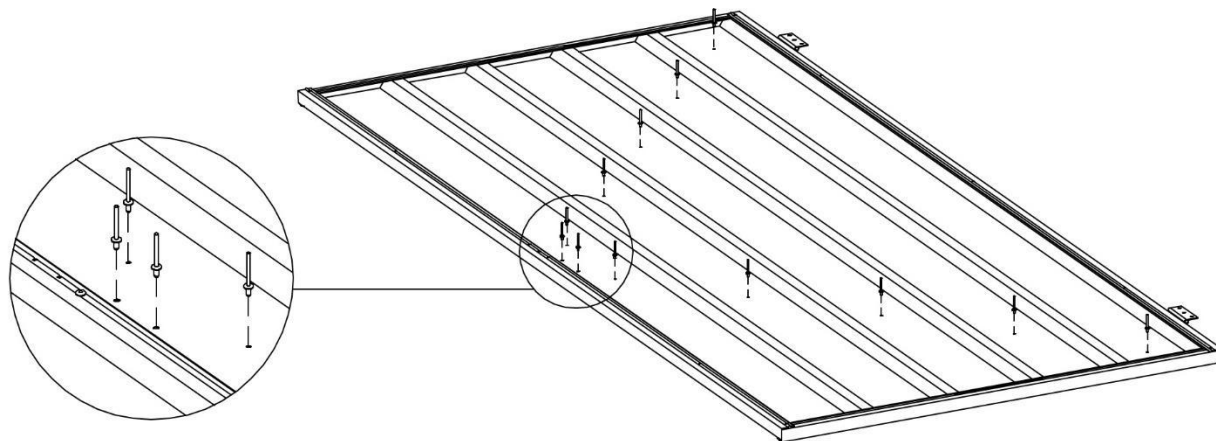


Diagram 3



FIX WITH 3.0*10MM RIVET

Diagram 4

WHITE PLASTIC STOPPLE

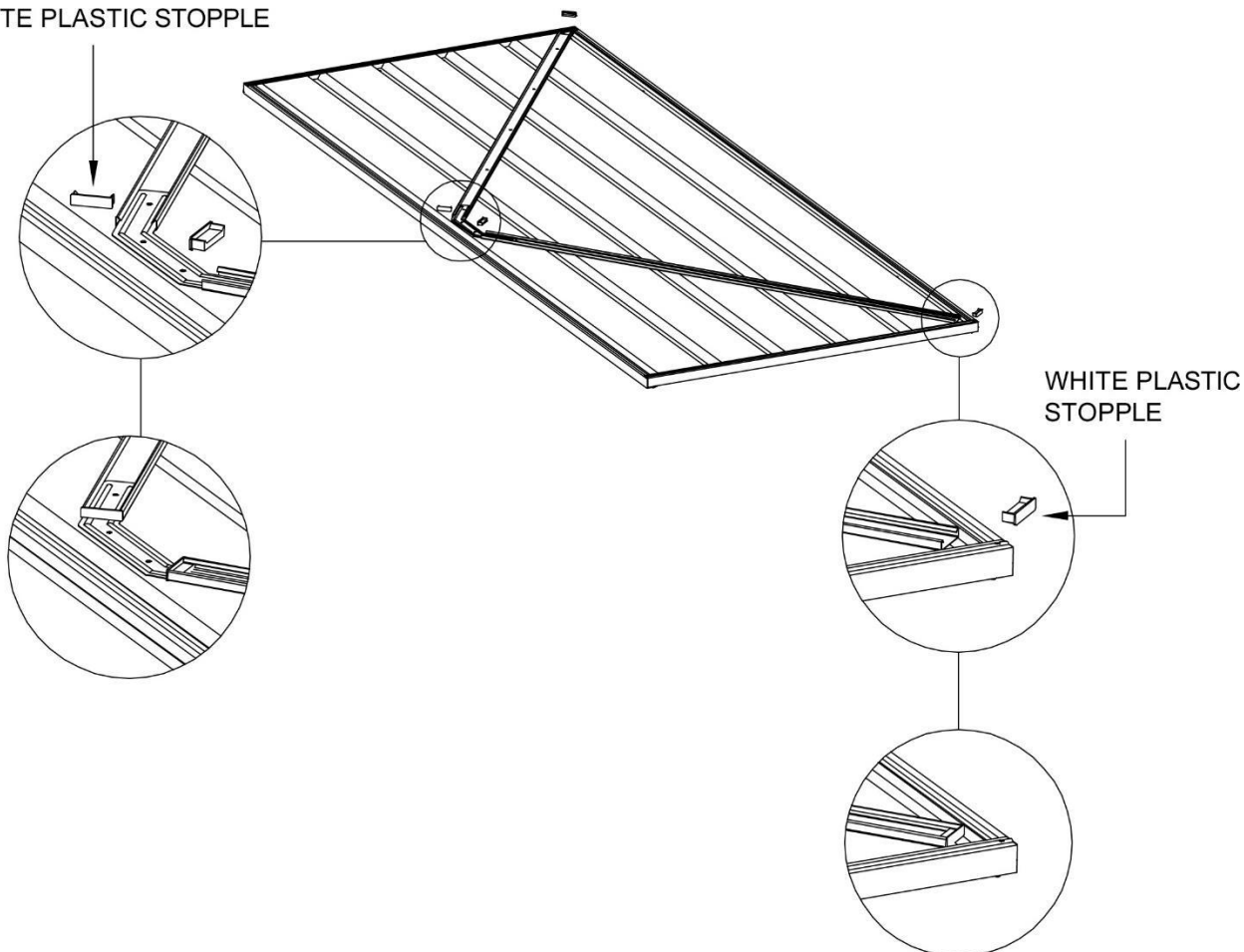


Diagram 5

- Place the SS21 sheet on your work table. Fit SC64 bottom channel as per diagram 6A using 10mm self-tapping screws. Fit SC63 top channel, then fit SJ14 jamb and SC65 mid wall channel. Refer to diagram 6B fit 42 jamb and 23 bottom channel, then 41A jamb. Do not insert the screws marked with the cross now, you will insert these at a later stage.

Handy Hint The short lip of the wall channels always faces outside of the shed to ensure rain drains away

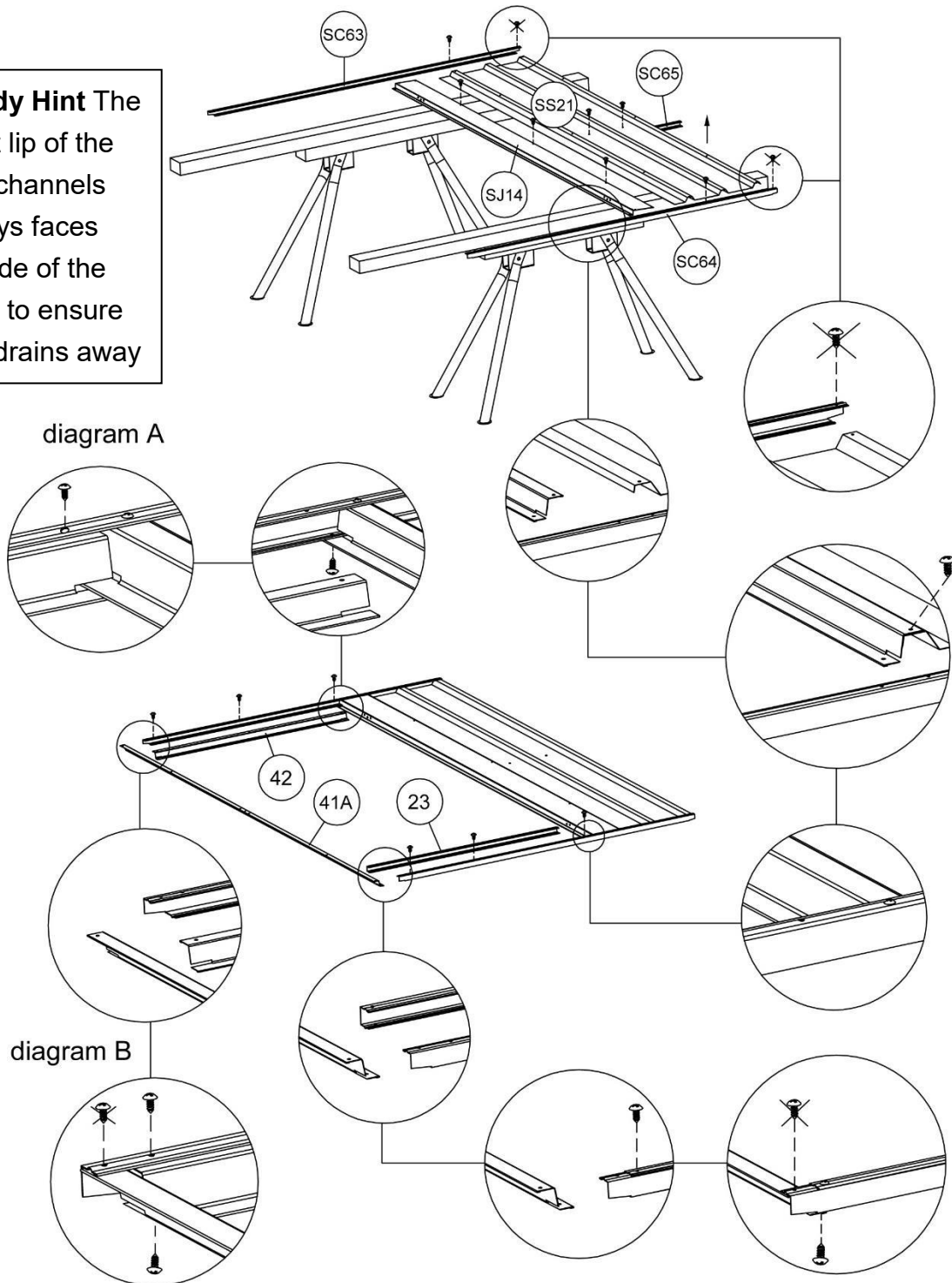


Diagram 6

- 4 Attach the door as per diagram 7 using 4.0*10mm rivets.

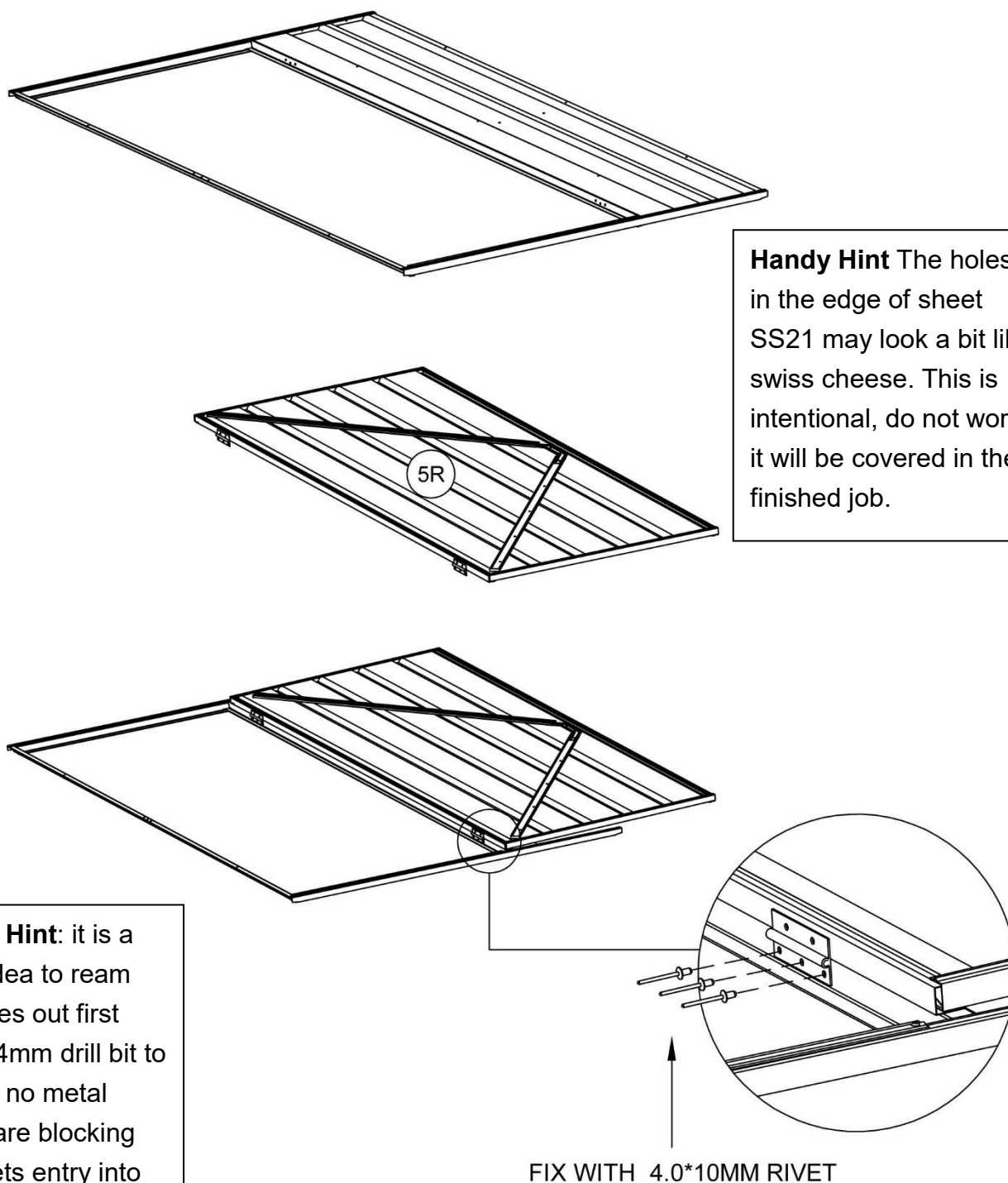


Diagram 7

- 5 Attach 70 pad bolt you can use rivets or 16mm self-tapping screws. For security purposes, we recommend that you use rivets.

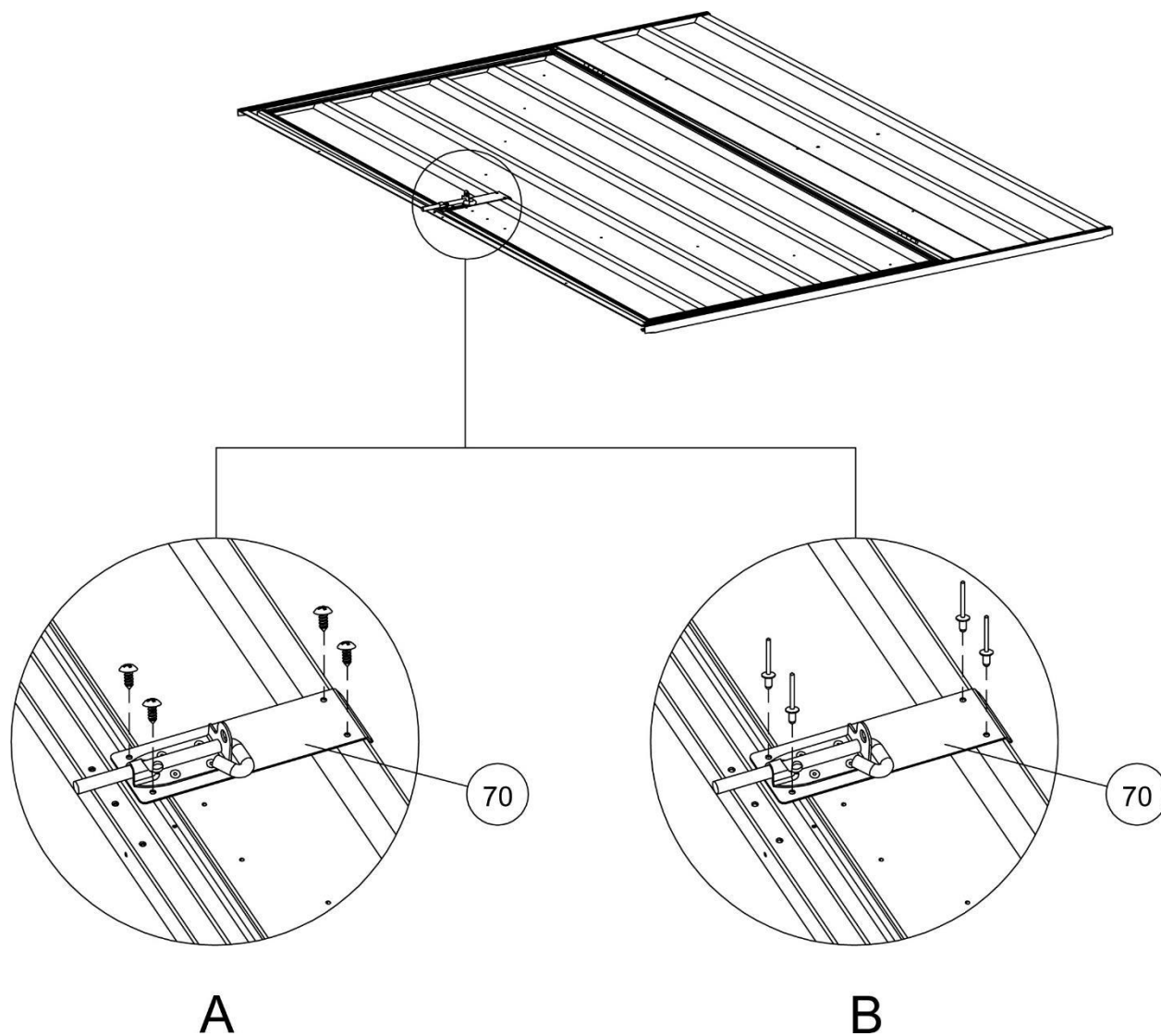


Diagram 8

- 6 You will use SZ02 and keeper 71 when assembling the walls. Keep them in a safe place for now.

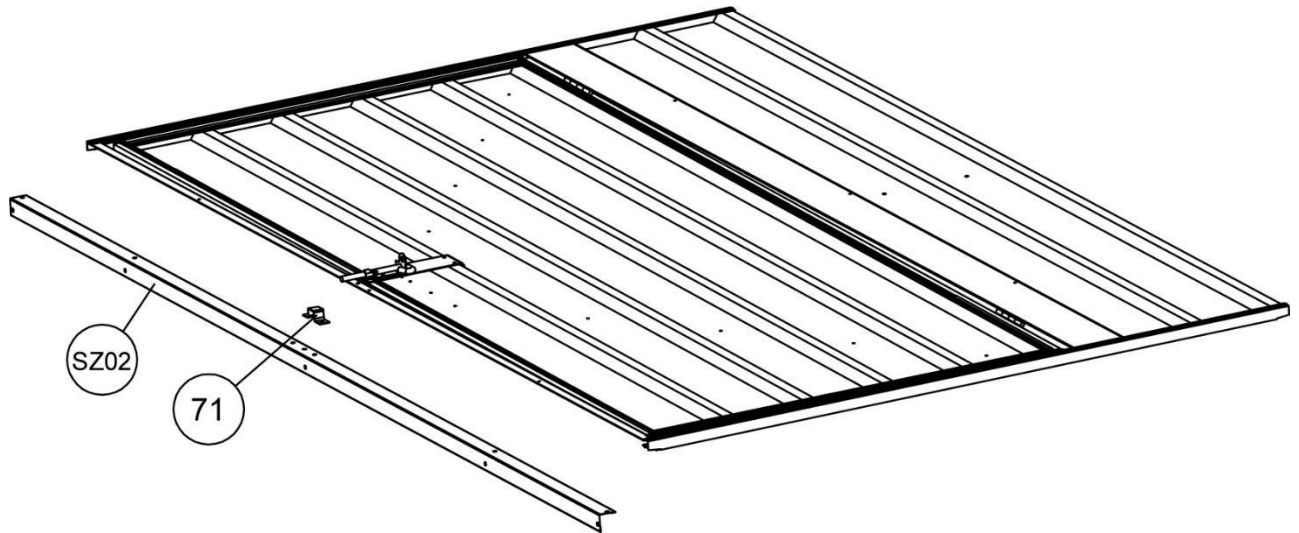


Diagram 9

- The U16 channel protector will be installed at the last stage of your build once you have your shed in place and are securing it to the ground. Using the U16 as a template mark the holes. Drill the holes using an 8mm masonry drill bit. Insert the masonry plugs. Screw the U16 into place securely. The U16 channel protector not only saves the bottom channel from damage it increases the rigidity of your shed.

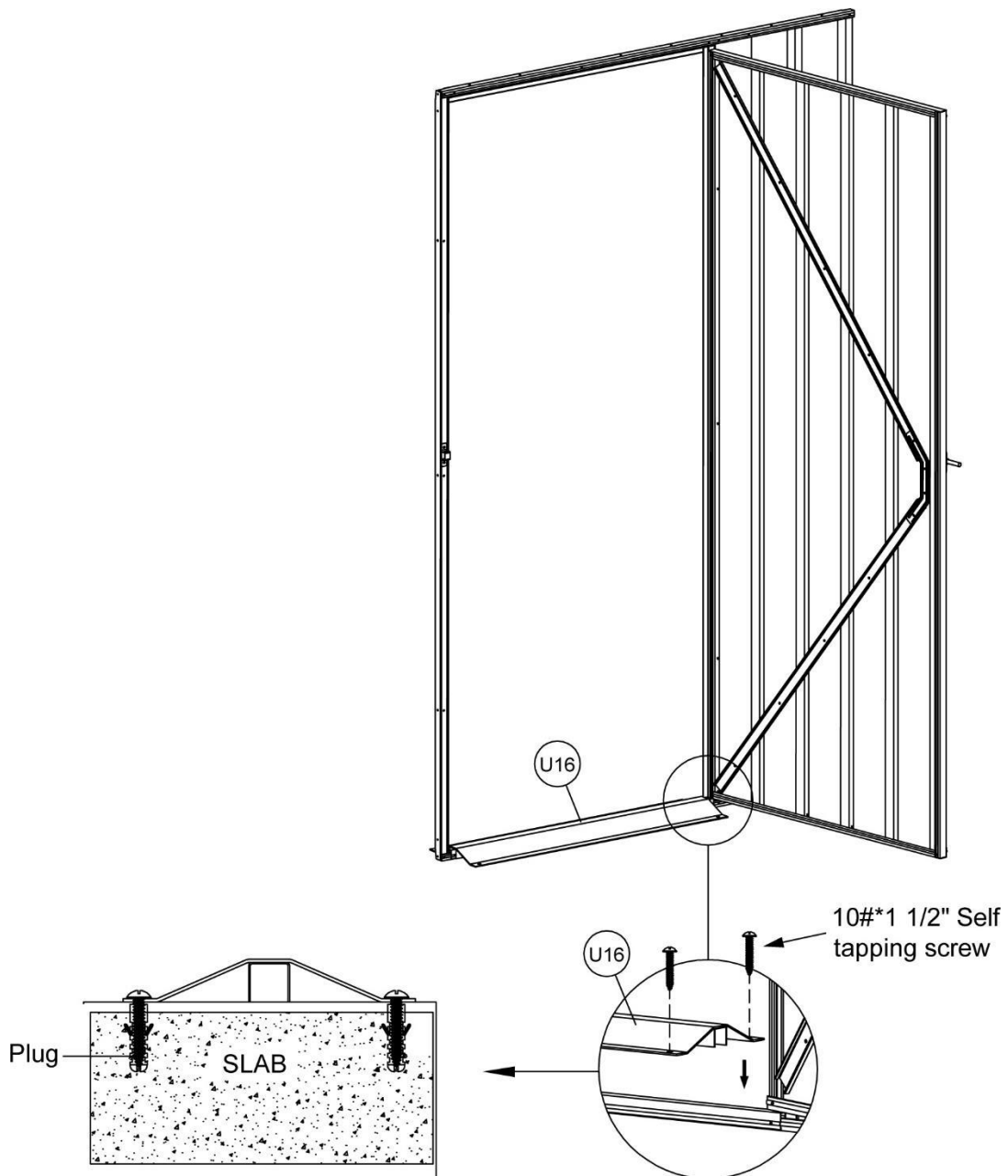


Diagram 10

You have now completed the assembly of this module

What's next?

You will have some screws left over. Don't worry you haven't forgotten anything; we give you more than you need.

Put your 1500mm x 1900mm wall with one hinged door to one side in a safe place where it won't get stepped on, blown over or otherwise damaged and move onto the next wall. If this was the fourth wall you have constructed the next job is the roof.