

Wall 1200 with no door

This module will enable you to construct a 1200mm x 1900mm wall with no door that will be used in your new garden shed.

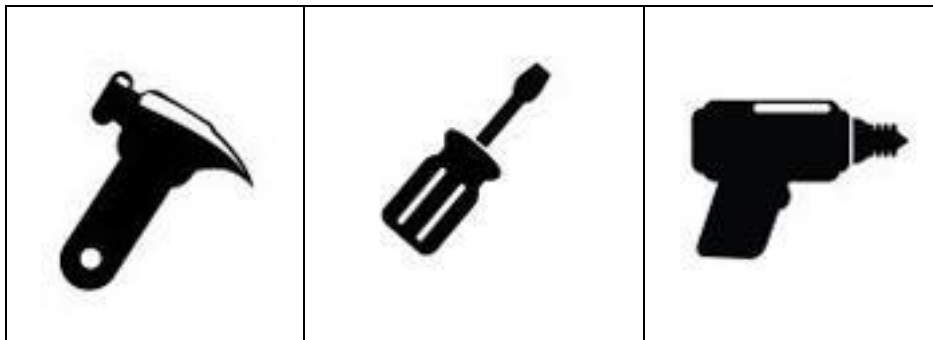
Before you begin the build

Just like our sheds, our manuals are designed in modules to make assembly easier and simpler. Your shed will have come in multiple boxes that are easy to handle. Each carton contains one shed module together with instructions on how to assemble that module. You begin by assembling your wall modules, then your roof modules and finally you put those modules together to erect your shed.

The key to a hassle free shed assembly is to take your time and have your work area and shed base well prepared prior to starting the build. We suggest that before you go any further, if you haven't already, locate your roof or joiner module carton and find the instructions. The roof module instructions contain details on site preparation, your first job, and module assembly and anchoring your shed to the base. **So, before you go any further, read the roof or joiner module instructions, it will save you time and frustration.**

If you have already read about site preparation – onward.

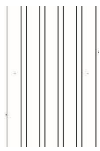
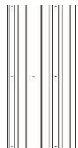
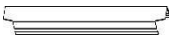


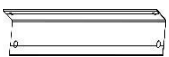
Tools you will need.




Check the contents

Before you start to construct this wall you will need to check off all of the contents.

Parts checklist for an 1200 wall with no door

Picture	Description	Component	Location	Part No.	QTY	Check
	Sheet	Sheet 1900x770		9M	1	
	Sheet	Sheet 1900x526		SS25	1	
	Channel	Channel 1212		SC66	1	
	Channel	Channel 1212		SC67	1	
	Channel	Channel 1105		SC68	1	
	Jamb	Jamb 1898		SZ01	1	

Fittings Pack

Picture	Component	QTY	Picture	Component	QTY
	Self tapping screws(10mm)	25			

If you are missing anything call The Garden Shed Hotline 1300 781 230

Start the Build

Here is what you are building. It is a 1200mm wide x 1900mm high wall without any door. This type of wall is typically a side or back wall for your shed.

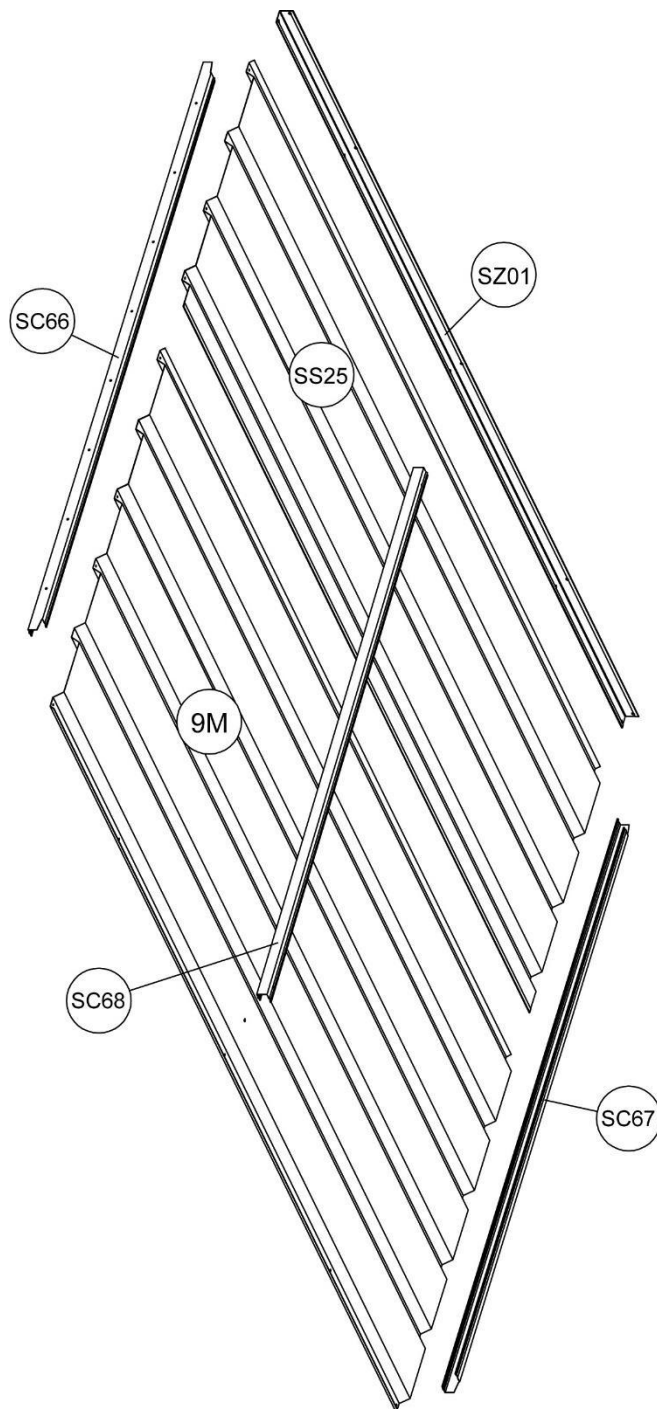


Diagram 1 – View from the inside

Assembly Instructions

- 1 Place the 9M and SS25 sheets on your work table. Fix each sheet together with 3x10mm self-tapping screws as per diagram 2.

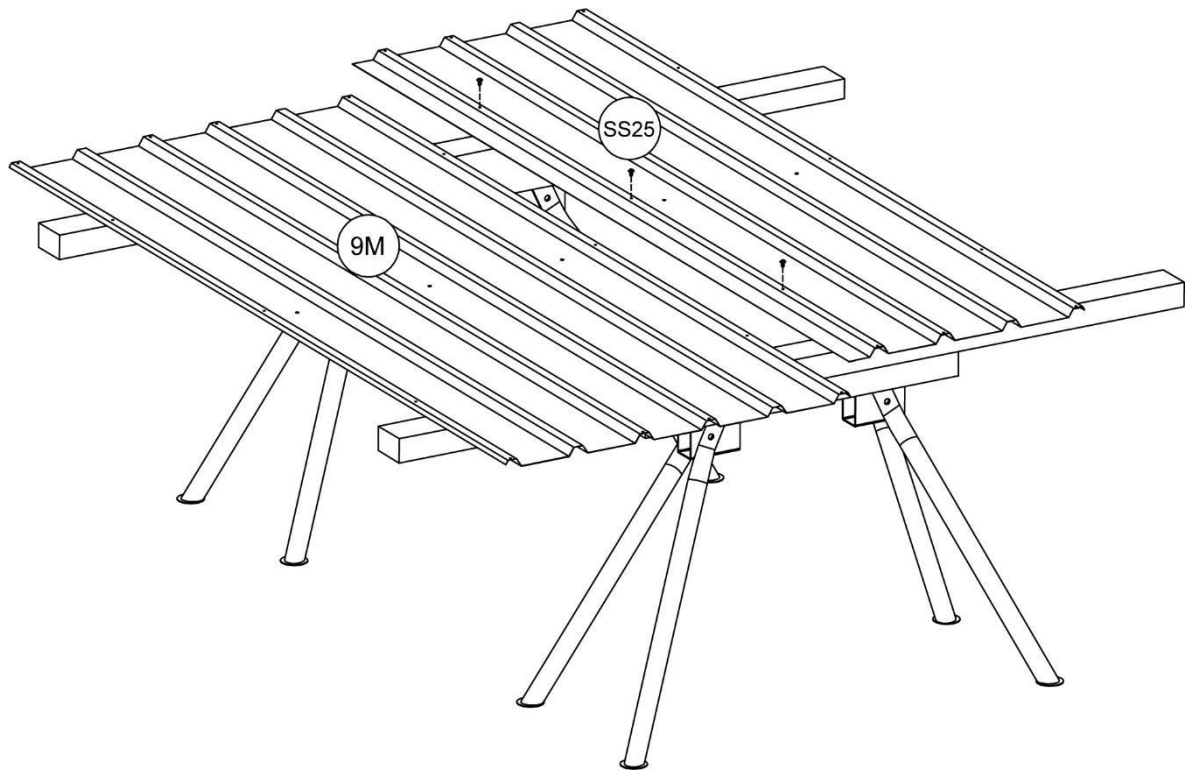
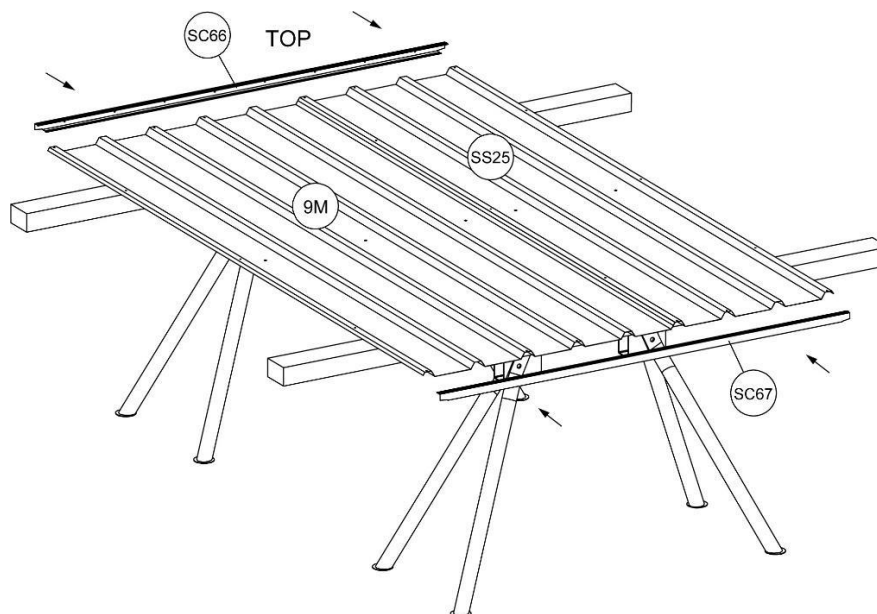
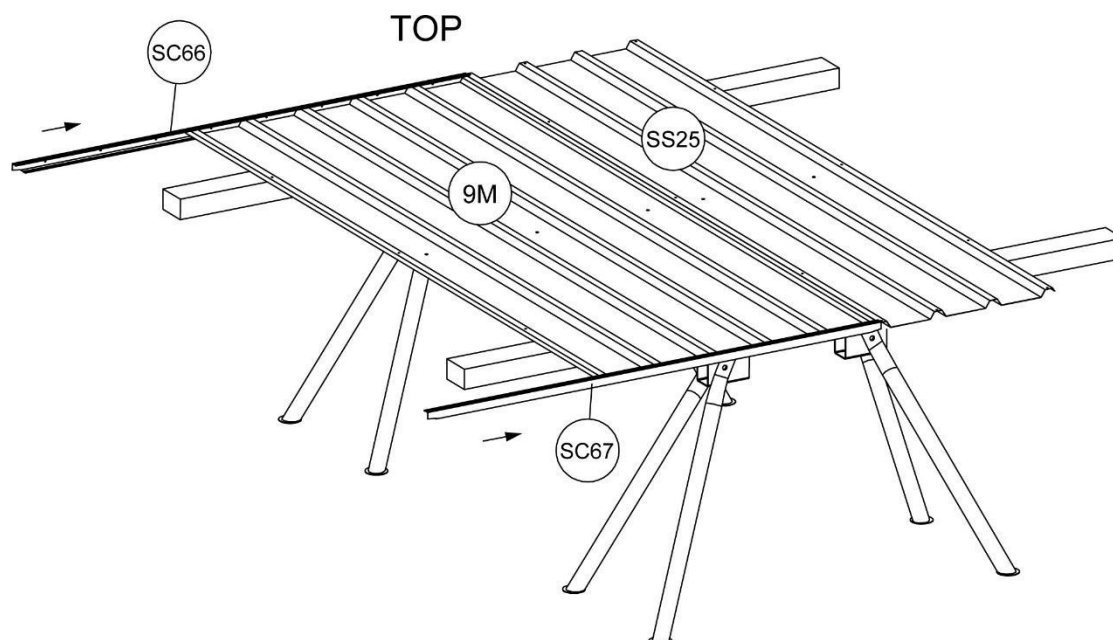


Diagram 2

- 2 Fix the SC66 top channel and the SC67 bottom channel to the sheets with 10mm self-tapping screws. On walls ensure that the narrow lip of the channel is facing the outside of your shed. You can either slide or tap the channels into position.

**A***Diagram 3 – Tap on channels***B***Diagram 4 – Slide on channels*

- 3 Now fix SC68 mid wall channel as per diagram 5. Do not insert the screws marked with the cross now, you will insert these at a later stage.

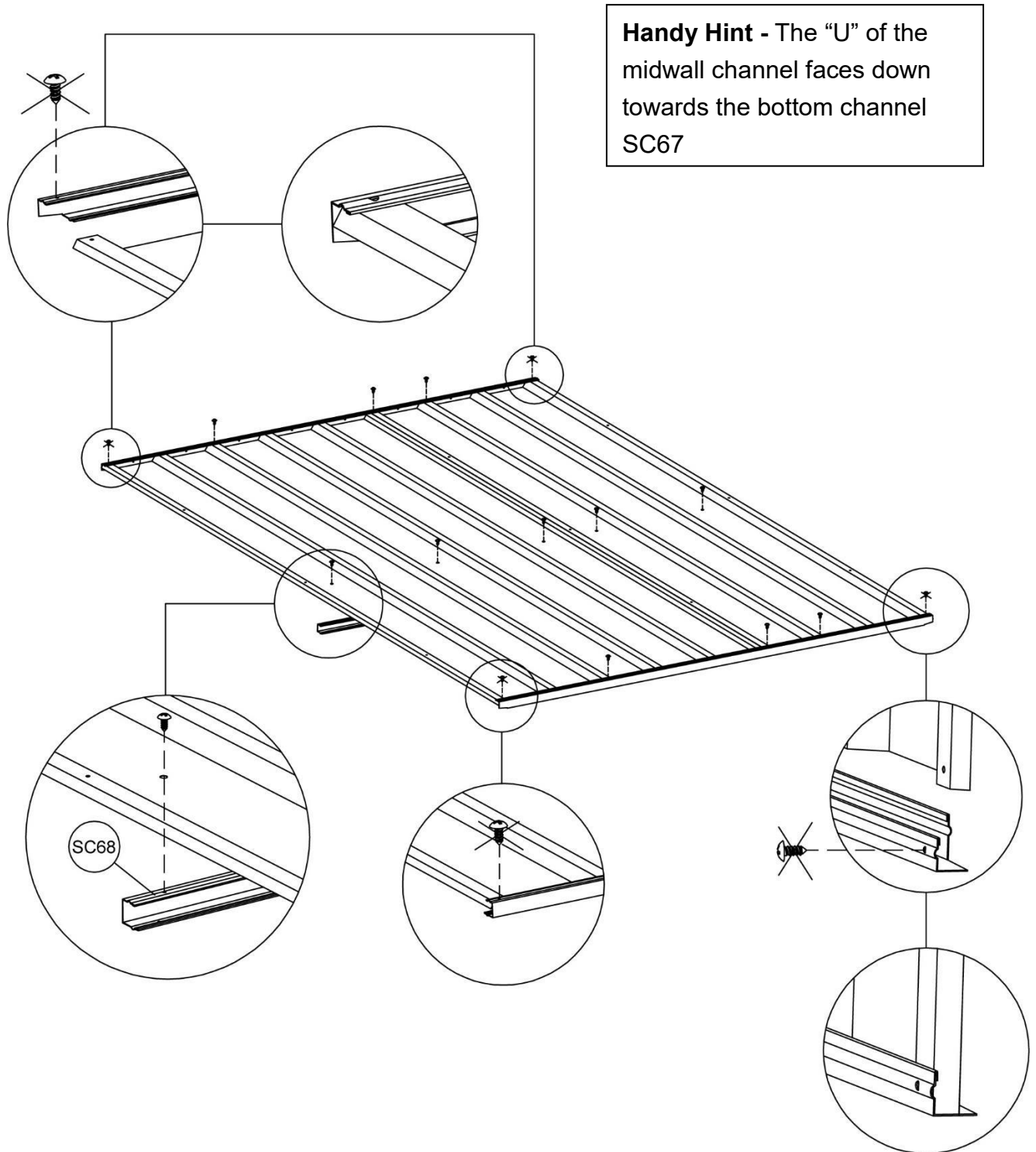
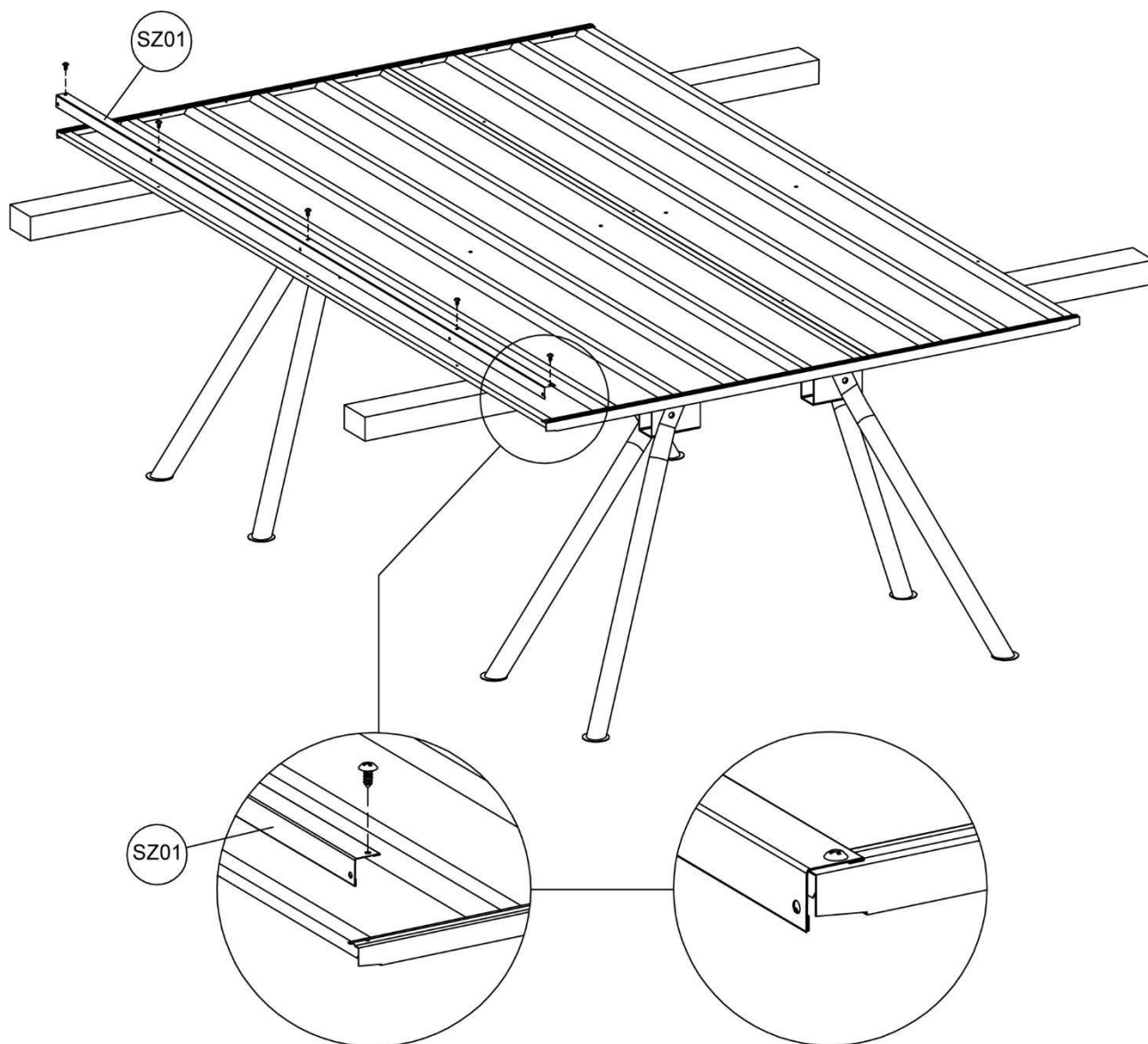


Diagram 5

- 4 Take the corner angle SZ01 and attach it to the left hand edge of your wall. This will be used to join other walls later.



You have now completed the assembly of this module

What's next?

You will have some screws left over. Don't worry you haven't forgotten anything; we give you more than you need.

Put your 1200mm x 1900mm wall to one side in a safe place where it won't get stepped on, blown over or otherwise damaged and move onto the next wall. If this was the fourth wall you have constructed the next job is the roof.