

Wall 1500 with a single hinged door

This module will enable you to construct a 1500mm x 1900mm wall with a single hinged door that will be used in your new garden shed.

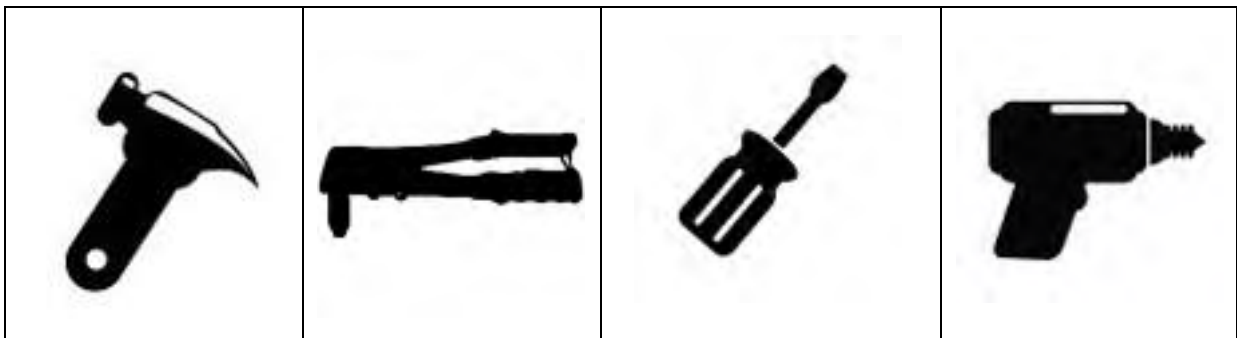
Before you begin the build

Just like our sheds, our manuals are designed in modules to make assembly easier and simpler. Your shed will have come in 5 or 6 boxes that are easy to handle. Each carton contains one shed module together with instructions on how to assemble that module. You begin by assembling your wall modules, then your roof modules and finally you put those modules together to erect your shed.

The key to a hassle free shed assembly is to take your time and have your work area and shed base well prepared prior to starting the build. We suggest that before you go any further, if you haven't already, locate your roof module carton and find the instructions. The roof module instructions contain details on site preparation, your first job, and module assembly and anchoring your shed to the base. **So before you go any further, read the roof module instructions, it will save you time and frustration.**

If you have already read about site preparation – onward.

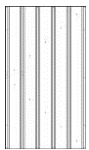
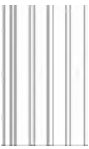

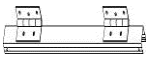






Tools you will need.






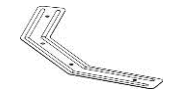


Check the contents



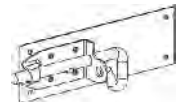
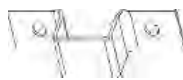
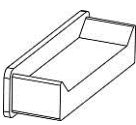


Before you start to construct this wall you will need to check off all of the contents.

Parts checklist for a 1500 wall with a single hinged door

Picture	Description	Component	Location	Part No.	QTY	Check
	Door	Sheet 1845x770	door	5R	1	
	Sheet	Sheet 1900x708	wall	SS01	1	
	Channel	Channel 1843	door	24A	1	
	Channel	Channel 1843	door	24B	1	
	Channel	Channel 768	door	21C	2	
	Brace	Brace 1075	door	U4	2	
	Channel	Channel 1508	wall	20E	1	
	Channel	Channel 1508	wall	SC15	1	
	Channel	Channel 775	wall	23	1	
	Channel	Channel 1898	wall	22	1	

Picture	Description	Component	Location	Part No.	QTY	Check
	Channel	Channel 645	wall	SC16	1	
	Jamb	Jamb 1898	wall	41A	1	
	Jamb	Jamb 1898	wall	41B	1	
	Jamb	Jamb 775	wall	42	1	
	Jamb	Jamb 1898	door	SZ02	1	
	Brace	Brace	door	w	1	

Fittings Pack

Picture	Component	QTY	Picture	Component	QTY
	Self tapping screws(10mm)	35		Self tapping screws(16mm)	20
	Pad bolt (70)	1		Keeper (71)	1
	White plastic stopple	4		3*10mm Rivet	40
	4*10mm Rivet	6			

If you are missing anything call The Garden Shed Hotline 1300 781 230

Start the Build

Here is what you are building. It is a 1500mm wide x 1900mm high wall with a single hinged door. This type of wall is typically a side or front wall for your shed.

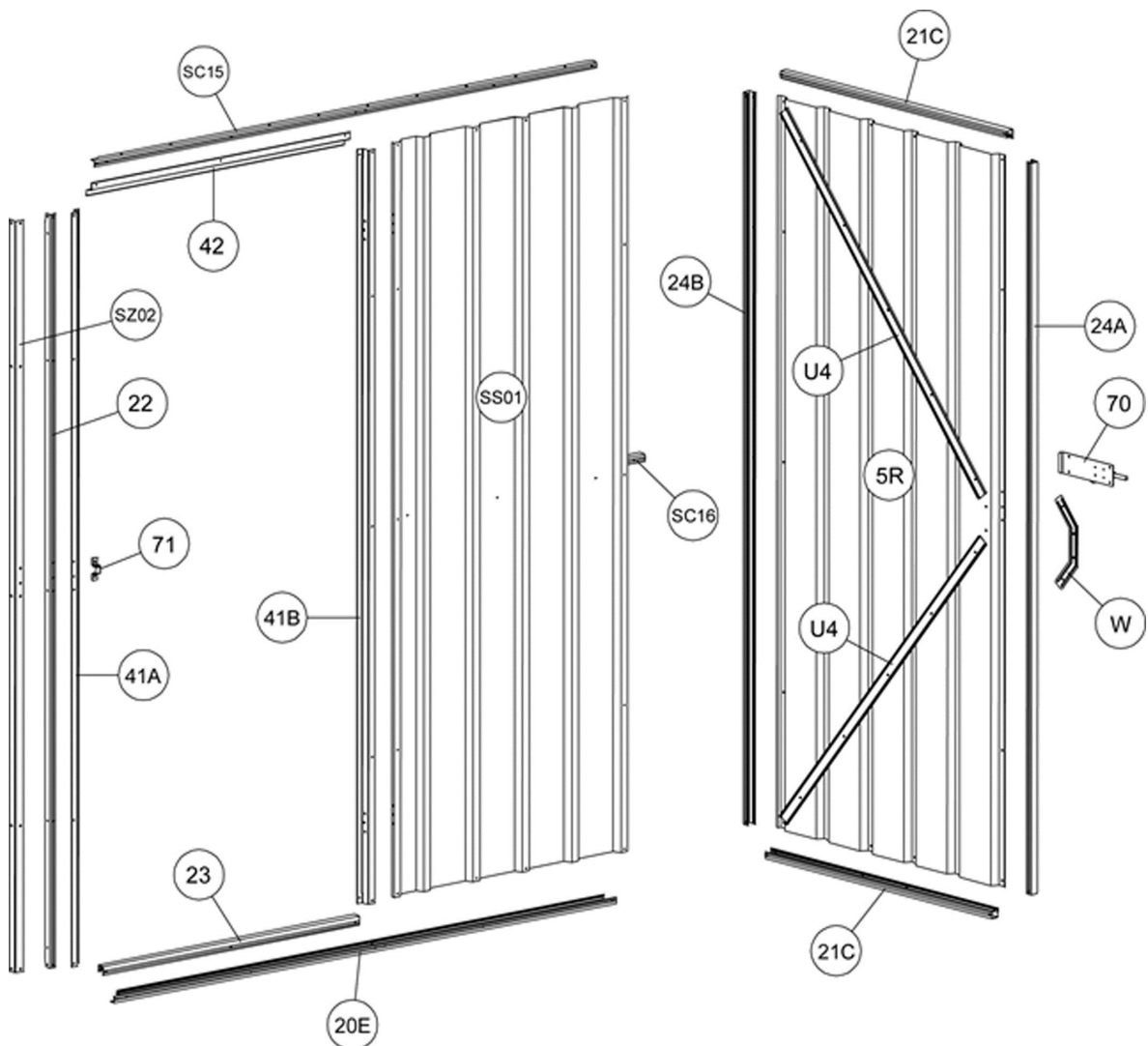


Diagram 1

Assembly Instructions

- 1 Place 5R sheeting on your workbench. Attach 2 x 21C, 24A and 24B channels using 3.0*10mm rivets as per the diagram 2.

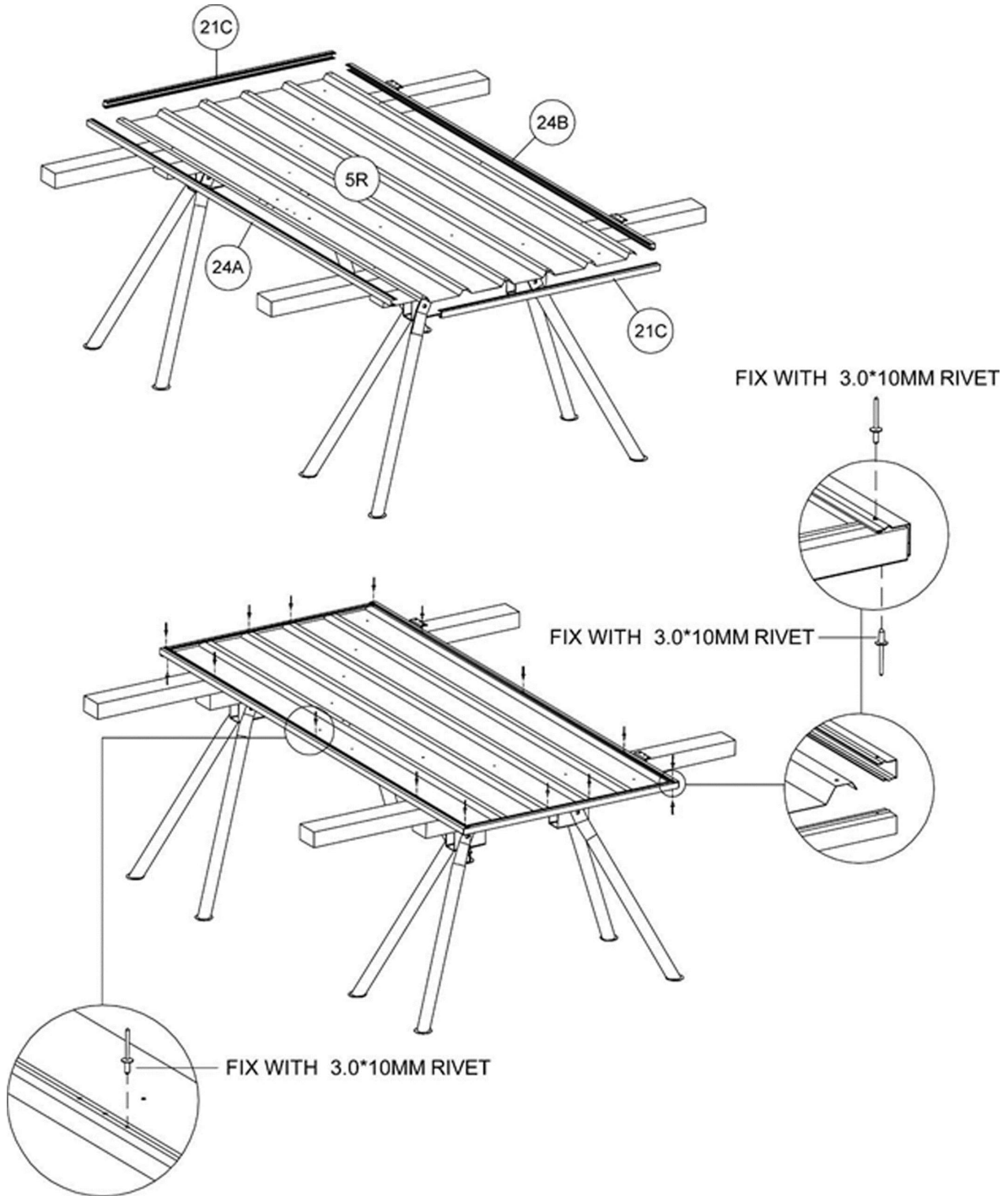


Diagram 2

- 2 Now attach W and U4 door bracing using 3.0*10mm rivets as per diagrams 3 & 4. Fit the white plastic stopple as per diagram 5 to ensure no sharp edges.

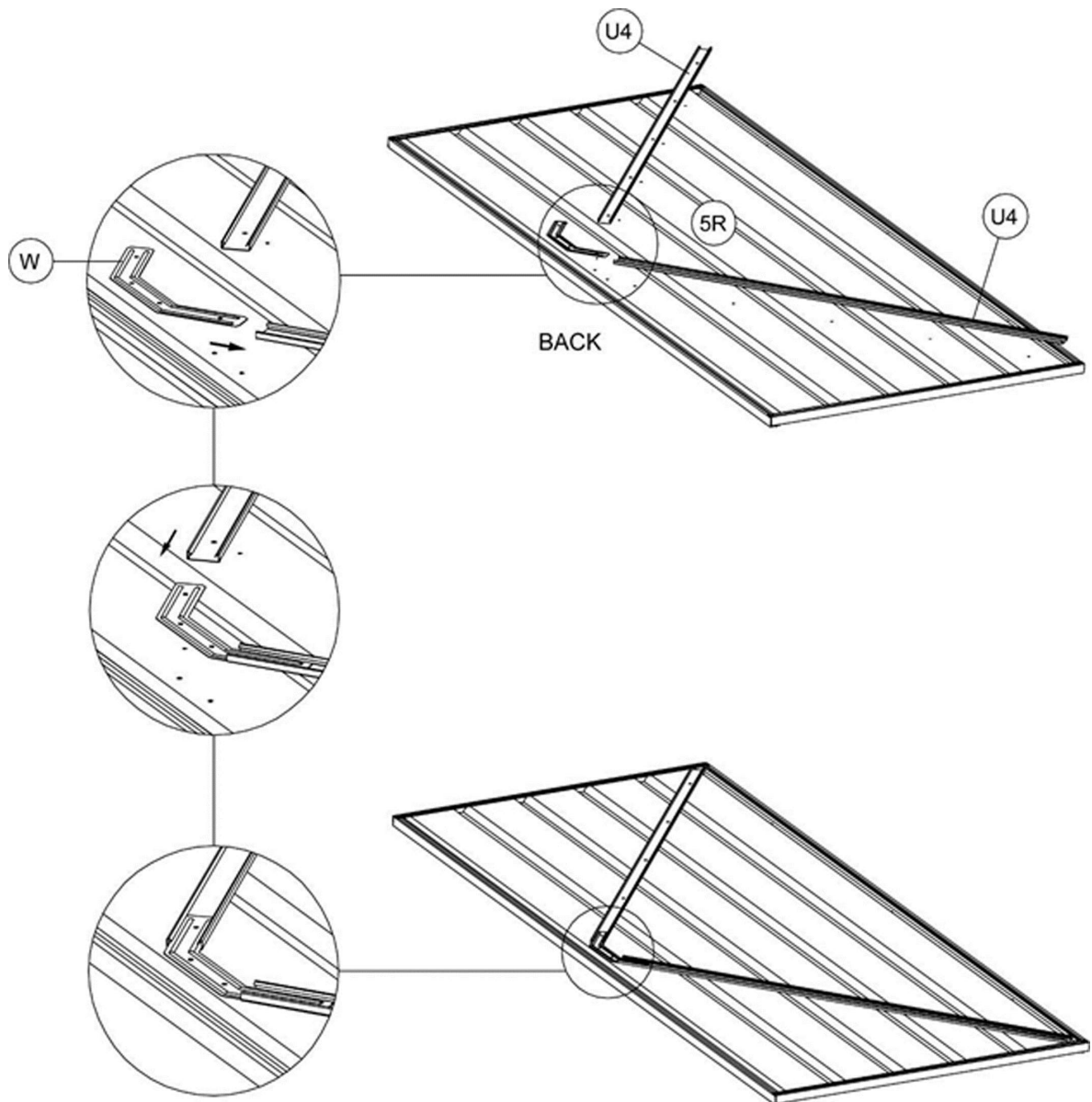
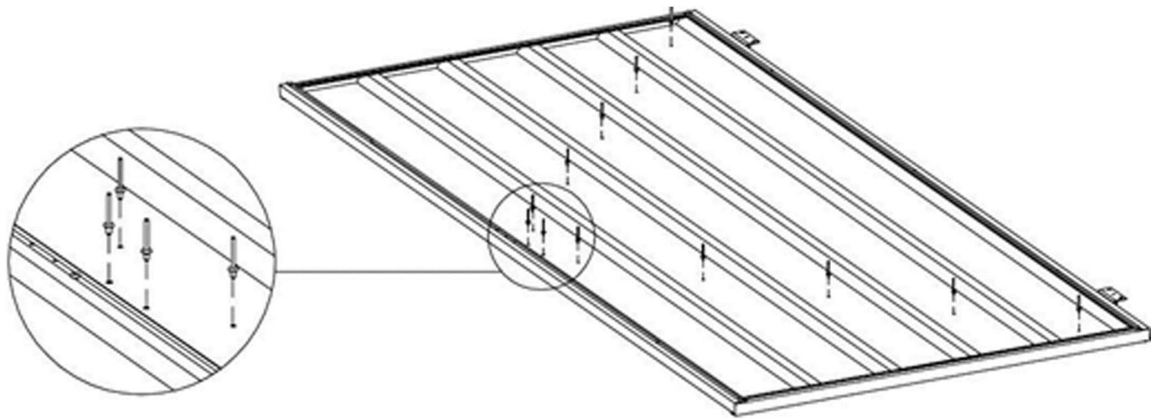


Diagram 3



FIX WITH 3.0*10MM RIVET

Diagram 4

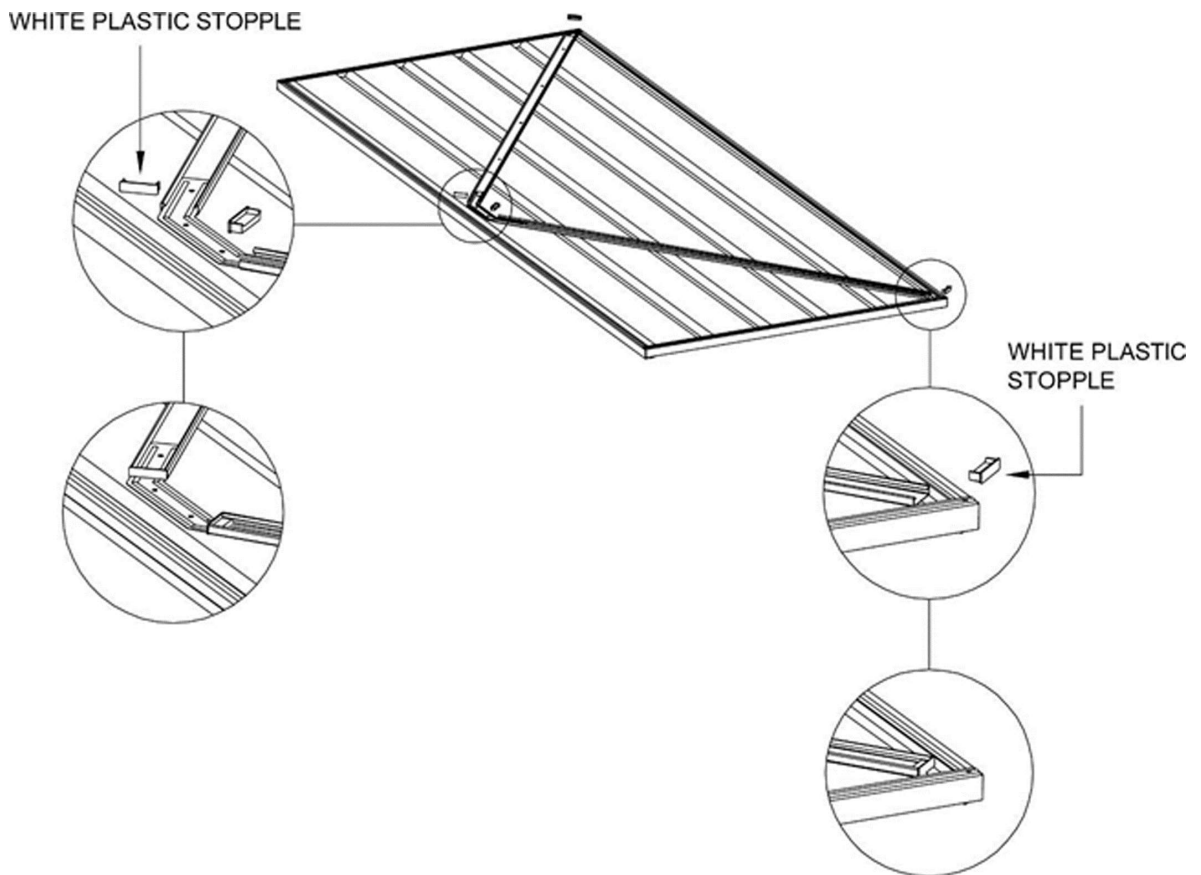


Diagram 5

- 3 Place the SS01 sheet on your work table. Fit 20E bottom channel as per diagram 6 using 10mm self-tapping screws. Fit SC15 top channel, then fit 41B jamb and SC16 mid wall channel. Fit 42 jamb and 23 bottom channel, then 41A jamb. Do not insert the screws marked with the cross now, you will insert these at a later stage.

Handy Hint The short lip of the channels always faces outside of the shed to ensure rain drains away

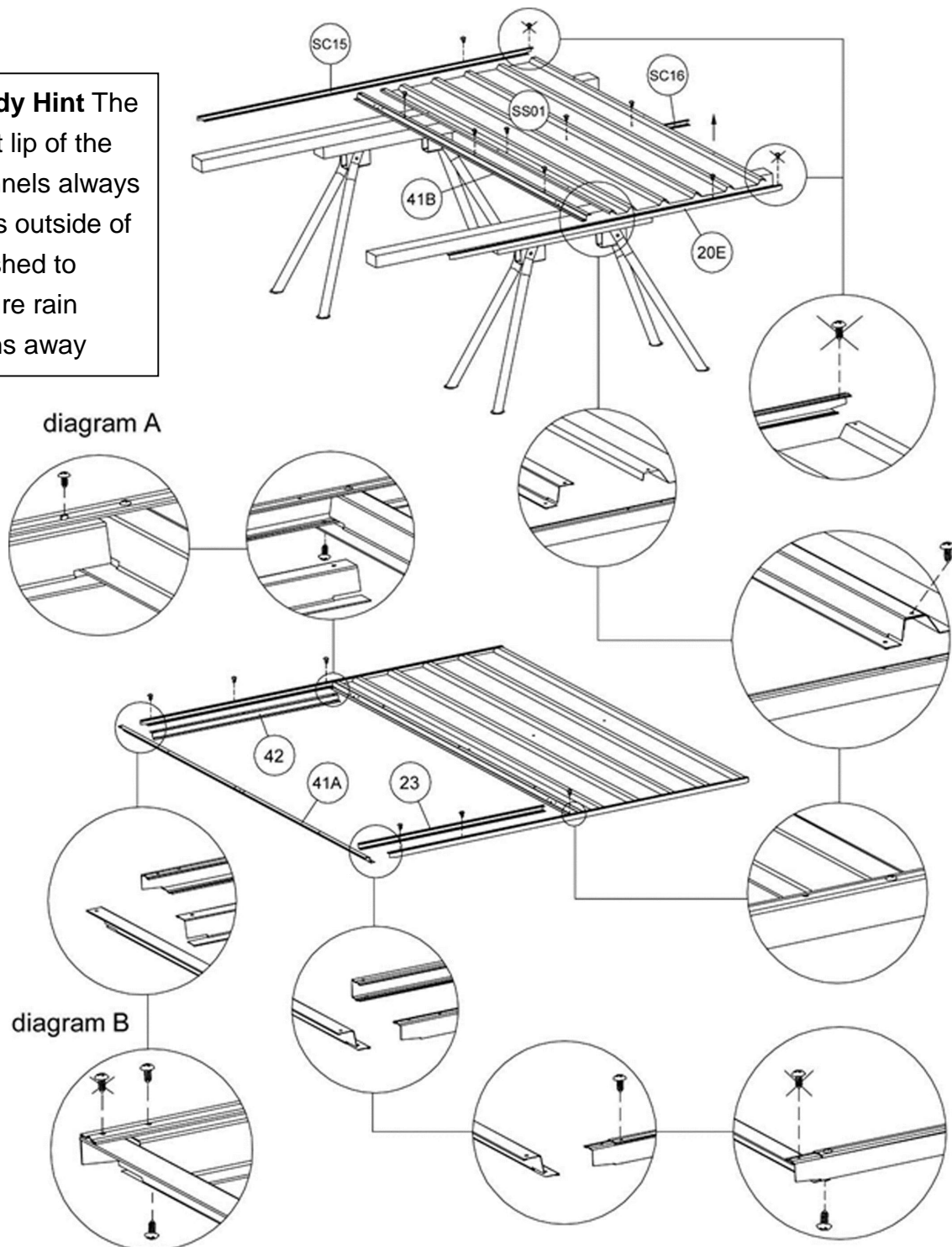


Diagram 6

- 4 Now fit 22 channel to 41A with 16mm self-tapping screws. Leave the screw with the cross out for now, you will put this in later.

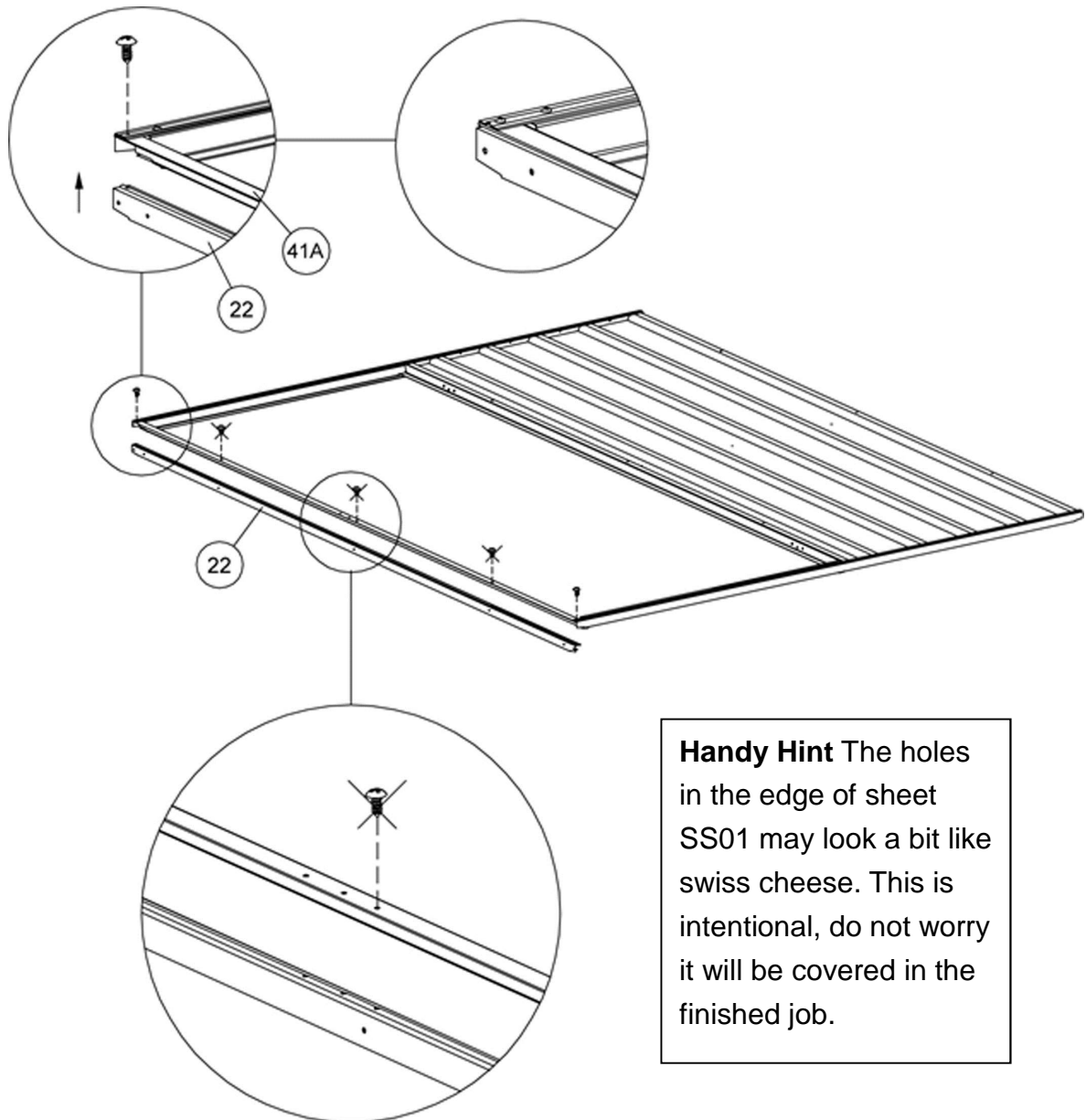


Diagram 7

- 5 Turn your wall over and attach the mid wall channel SC16 to the inside of your wall with 10mm self tapping screws from the front side. The “U” of the mid wall channel should face down towards the bottom channel 20E.

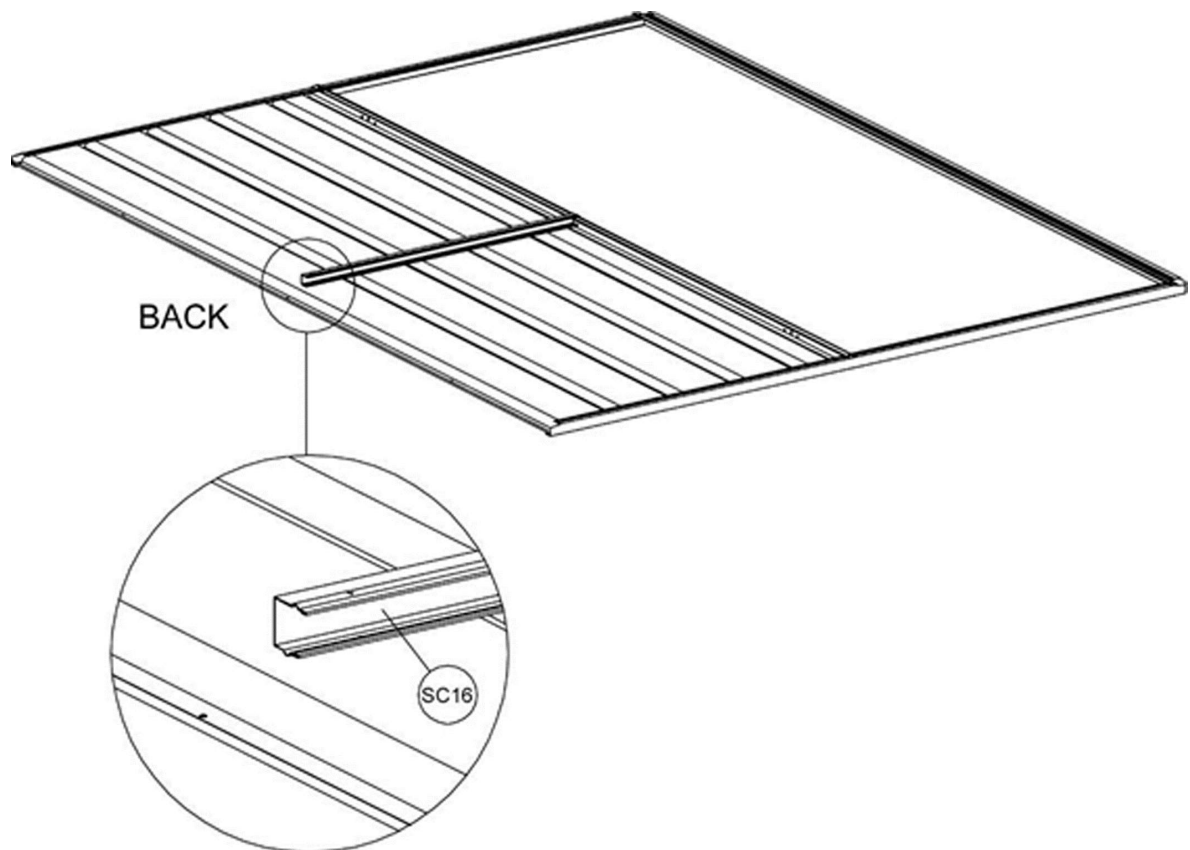


Diagram 8

6 Attach the door as per diagram 9 using 4.0*10mm rivets.

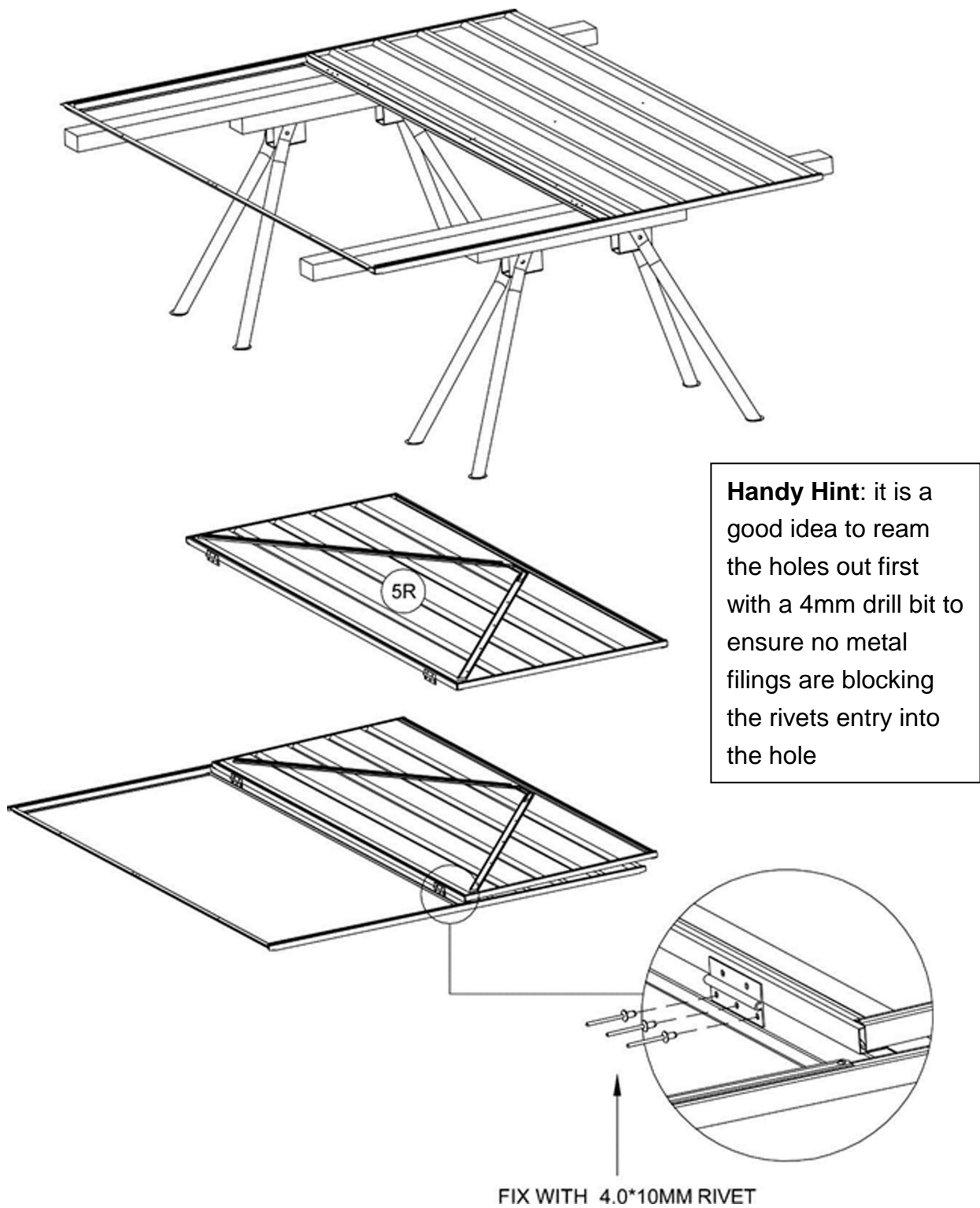


Diagram 9

- 7 Attach 70 pad bolt you can use rivets or 16mm self-tapping screws. For security purposes, we recommend that you use rivets. You will use SZ02 and keeper 71 when assembling the walls. Keep in a safe place for now.

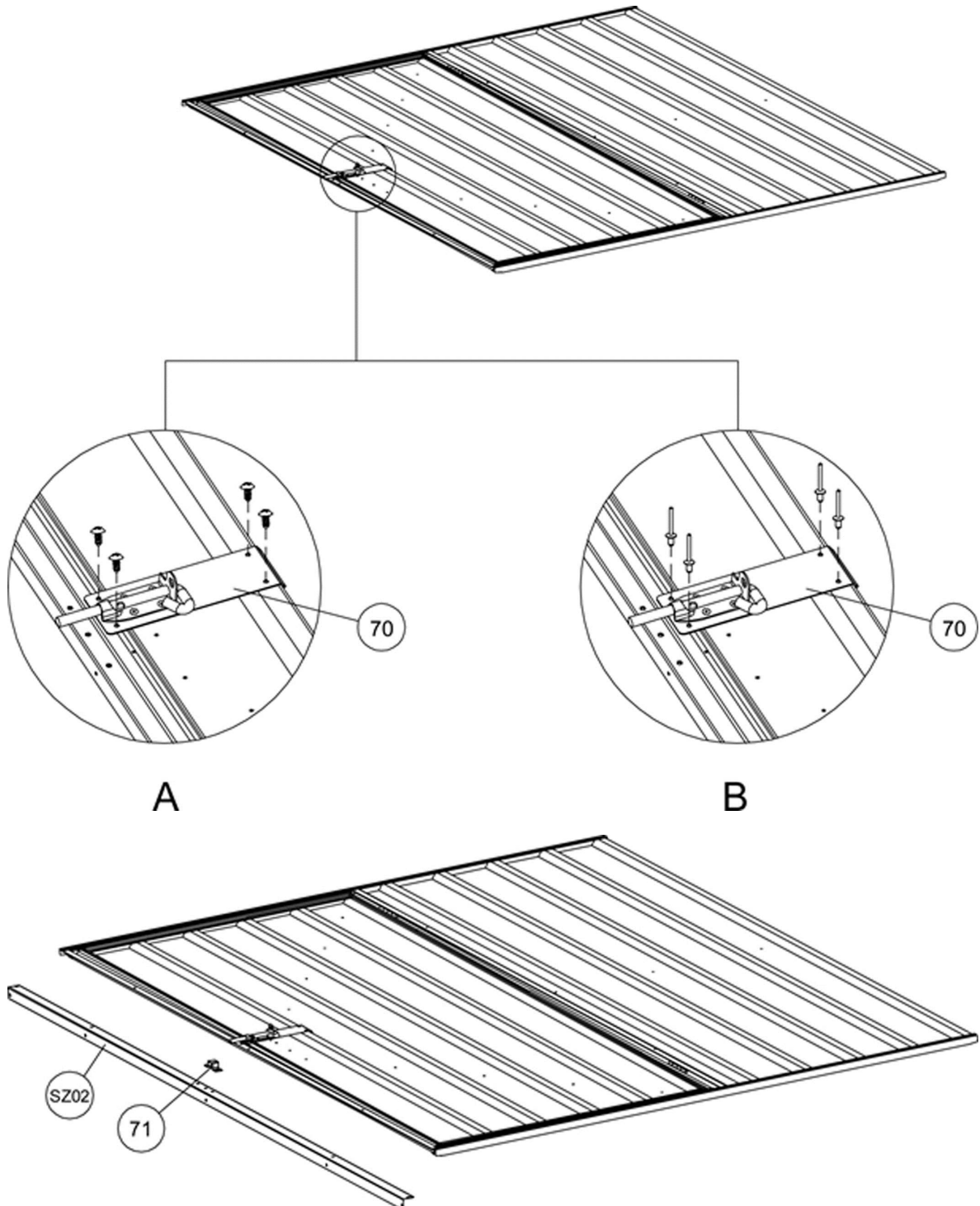


Diagram 10

You have now completed the assembly of this module

What's next?

You will have some screws left over. Don't worry you haven't forgotten anything; we give you more than you need.

Put your 1500mm x 1900mm wall with one hinged door to one side in a safe place where it won't get stepped on, blown over or otherwise damaged and move onto the next wall. If this was the fourth wall you have constructed the next job is the roof.