

## Wall 2300 with a single hinged door

This module will enable you to construct a 2300mm x 1900mm wall with a single hinged door that will be used in your new garden shed.

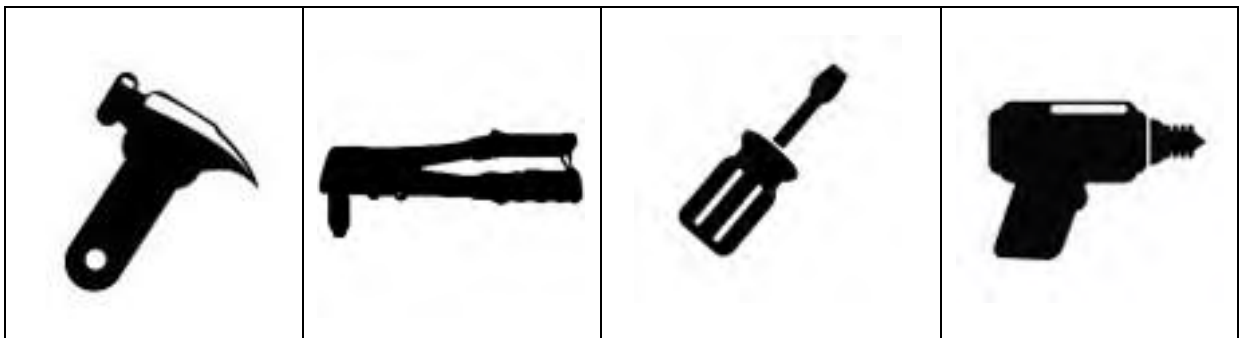
### Before you begin the build

Just like our sheds, our manuals are designed in modules to make assembly easier and simpler. Your shed will have come in 5 or 6 boxes that are easy to handle. Each carton contains one shed module together with instructions on how to assemble that module. You begin by assembling your wall modules, then your roof modules and finally you put those modules together to erect your shed.

The key to a hassle free shed assembly is to take your time and have your work area and shed base well prepared prior to starting the build. We suggest that before you go any further, if you haven't already, locate your roof module carton and find the instructions. The roof module instructions contain details on site preparation, your first job, and module assembly and anchoring your shed to the base. **So before you go any further, read the roof module instructions, it will save you time and frustration.**

If you have already read about site preparation – onward.

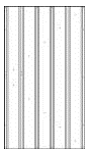
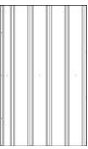
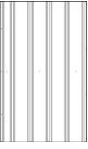






### *Tools you will need.*










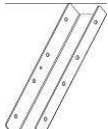
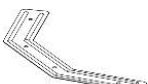


## Check the contents


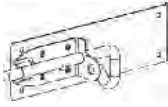
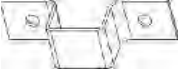
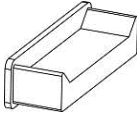


Before you start to construct this wall you will need to check off all of the contents.

### Parts checklist for a 2300 wall with a single hinged door

Picture	Description	Component	Location	Part No.	QTY	Check
	Door	Sheet 1845x770	Door	5R	1	
	Sheet	Sheet 1900x735	Wall	SS02	1	
	Sheet	Sheet 1900x735	Wall	SS03	1	
	Channel	Channel 1843	Door	24A	1	
	Channel	Channel 1843	Door	24B	1	
	Channel	Channel 768	Door	21C	2	
	Brace	Brace 1075	Door	U4	2	
	Channel	Channel 1124	Wall	26L	1	
	Channel	Channel 1124	Wall	26M	1	

Picture	Description	Component	Location	Part No.	QTY	Check
	Channel	Channel 1124	Wall	SC17	1	
	Channel	Channel 1124	Wall	SC18	1	
	Channel	Channel 775	Wall	23A	1	
	Channel	Channel 645	Wall	SC16	1	
	Channel	Channel 645	Wall	SC19	1	
	Jamb	Jamb 1898	Wall	41A	1	
	Jamb	Jamb 1898	Wall	41B	1	
	Jamb	Jamb 775	Wall	42A	1	
	Jamb	Jamb 1898	Wall	SZ01	1	
	Channel connector	Channel connector 188mm	Wall	66	1	
	Brace	Brace	Door	w	1	

**Fittings Pack**

Picture	Component	QTY	Picture	Component	QTY
	Self tapping screws(10mm)	68		Pad bolt (70)	1
	Keeper (71)	1		White plastic stopple	4
	3*10mm Rivet	40		4*10mm Rivet	6

**If you are missing anything call The Garden Shed Hotline 1300 781 230**

### Start the Build

Here is what you are building. It is a 2300mm wide x 1900mm high wall with a single hinged door. This type of wall is typically a side or front wall for your shed.

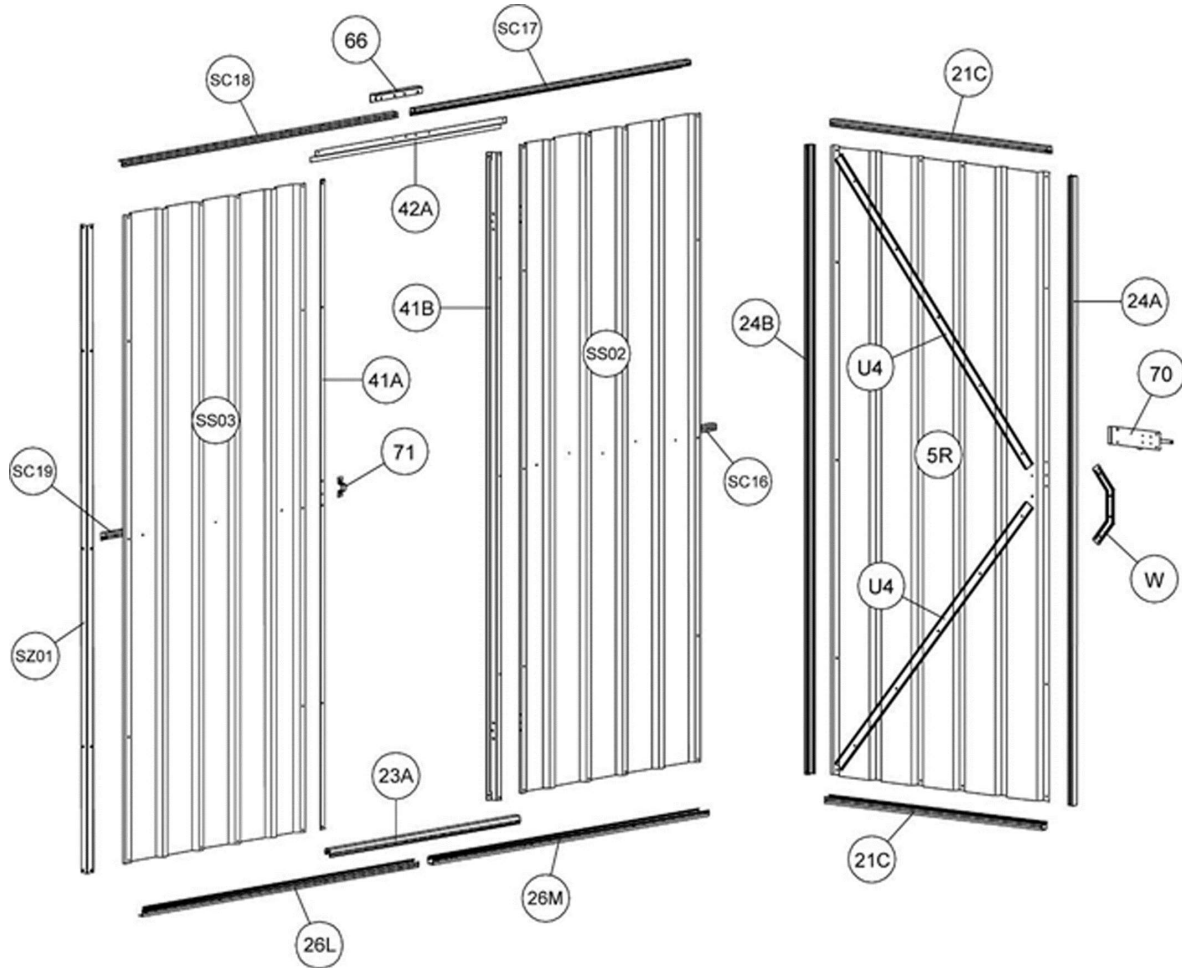


Diagram 1

### Assembly Instructions

- 1 Place the 5R sheet on your workbench. Attach 2 x 21C, 24A and 24B channels using 3.0\*10mm rivets as per diagram 2.

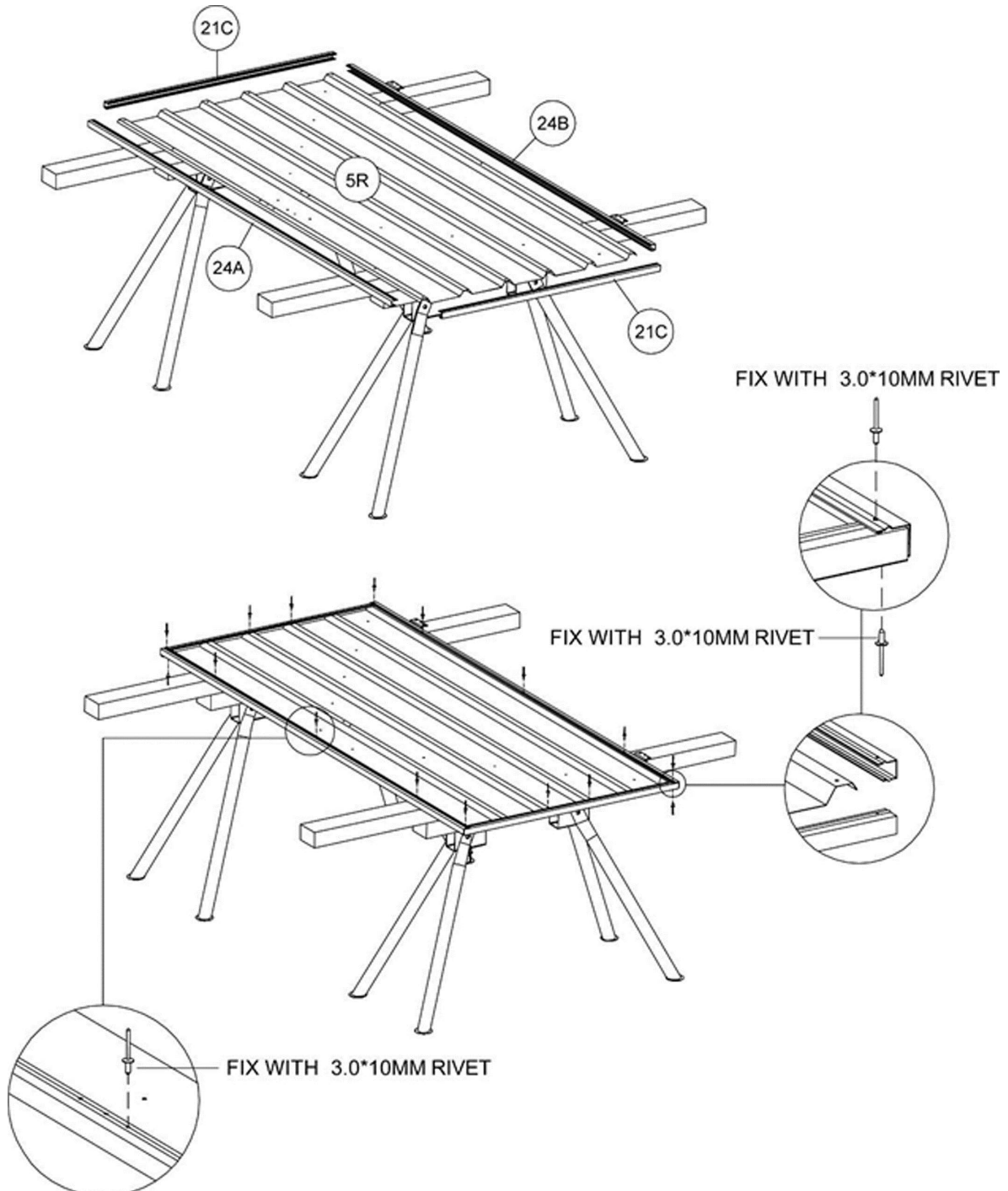


Diagram 2

- 2 Now attach W and U4 door bracing using 3.0\*10mm rivets as per diagram 3 & 4. Fit the white plastic stopple as per diagram 5 to ensure no sharp edges.

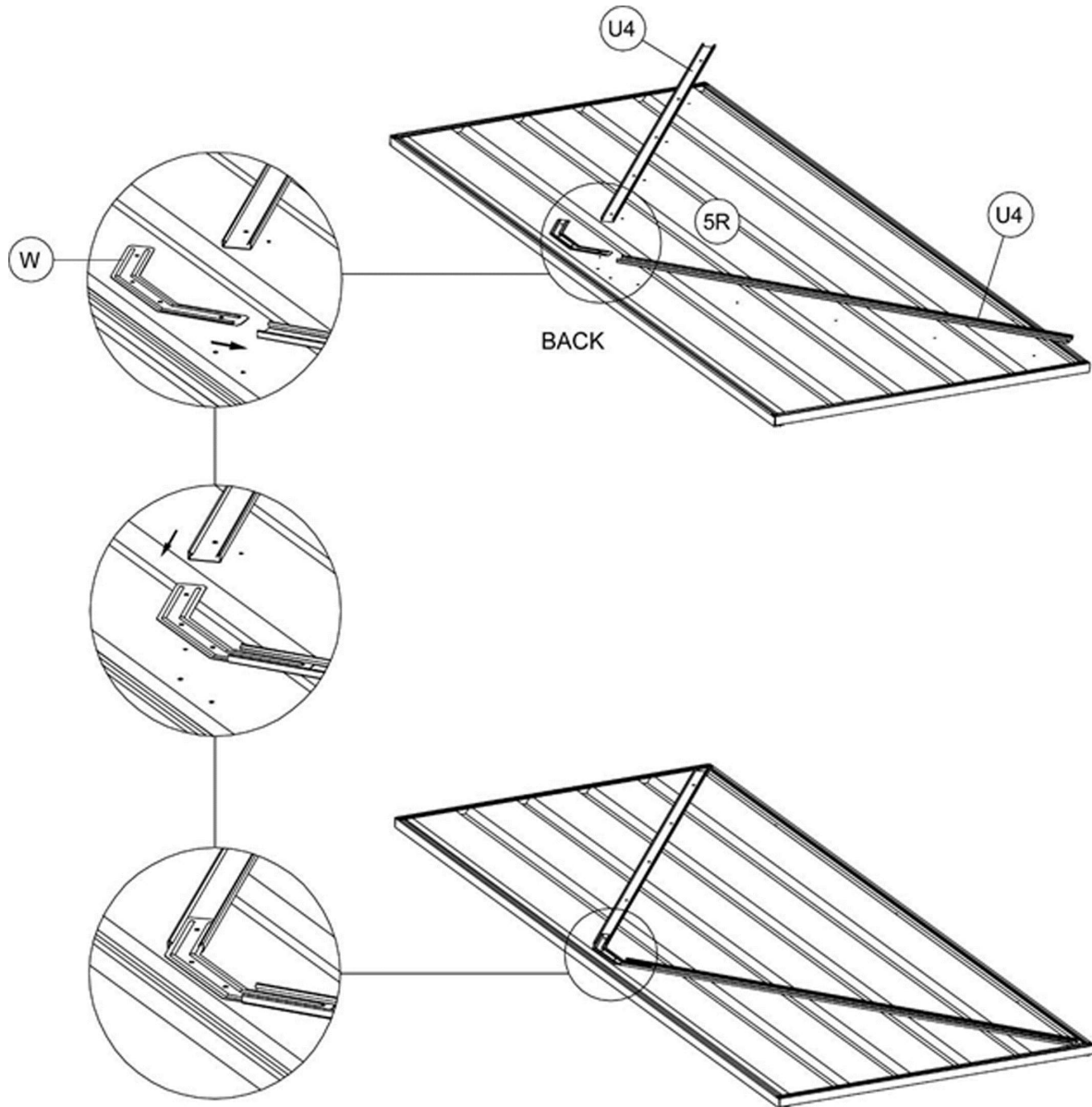


Diagram 3

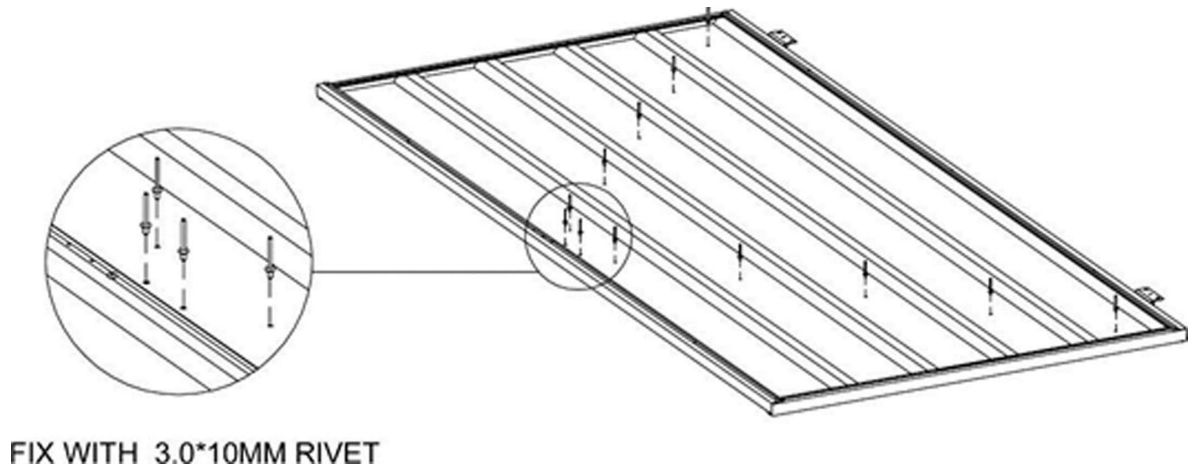


Diagram 4

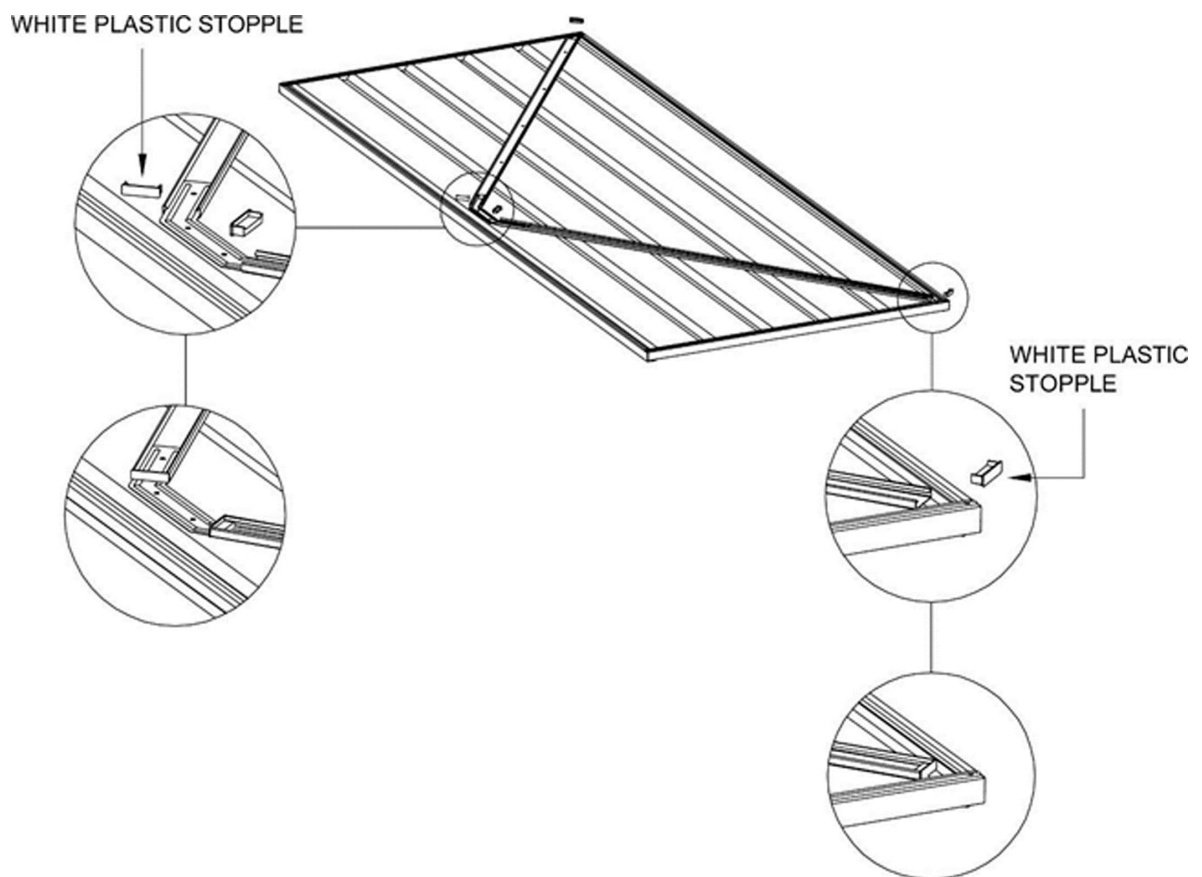


Diagram 5



- Place SS02 and SS03 sheeting on your work table. Now fit 41B jamb 41A jamb as per the diagram using 10mm self-tapping screws.

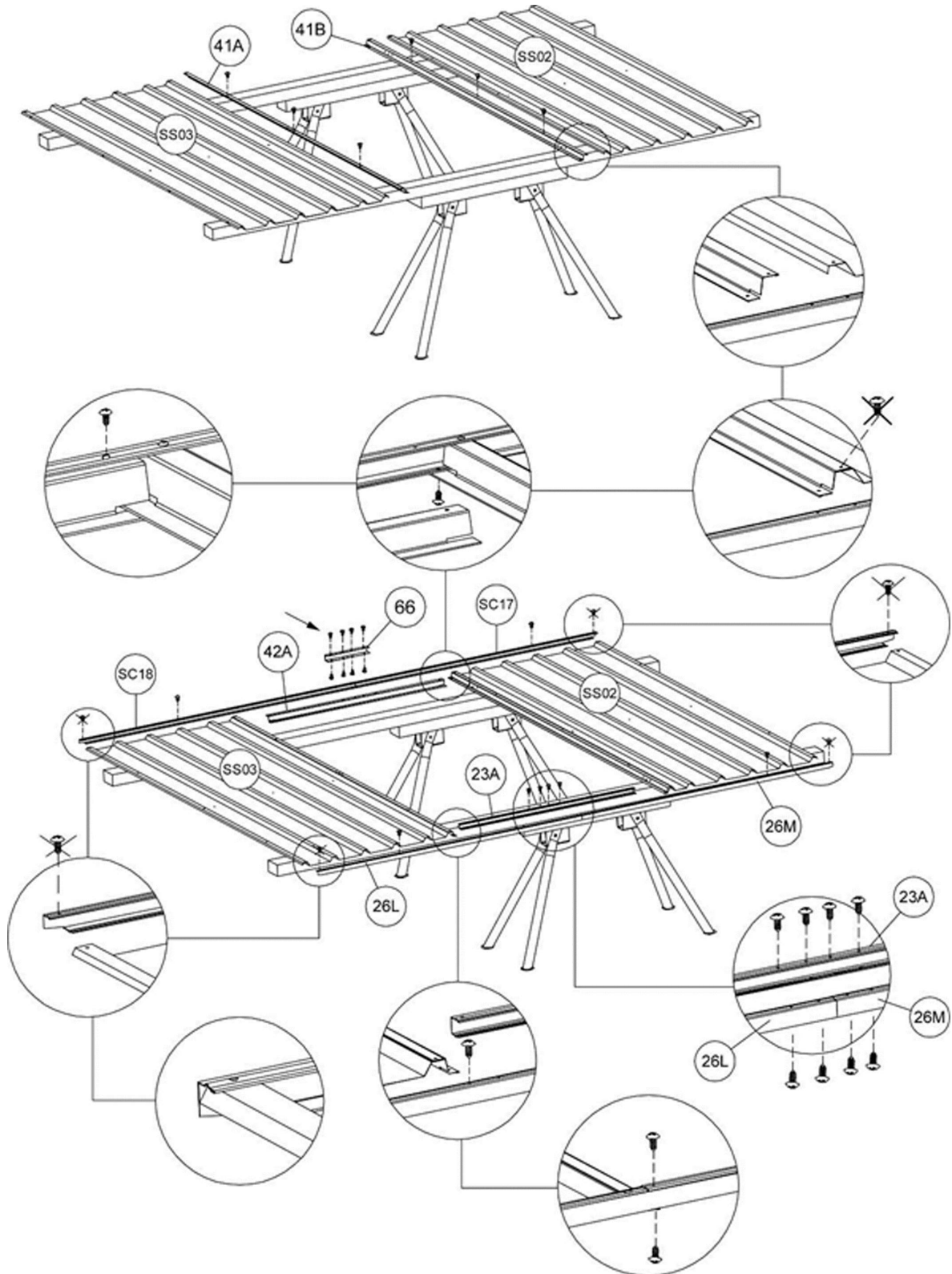
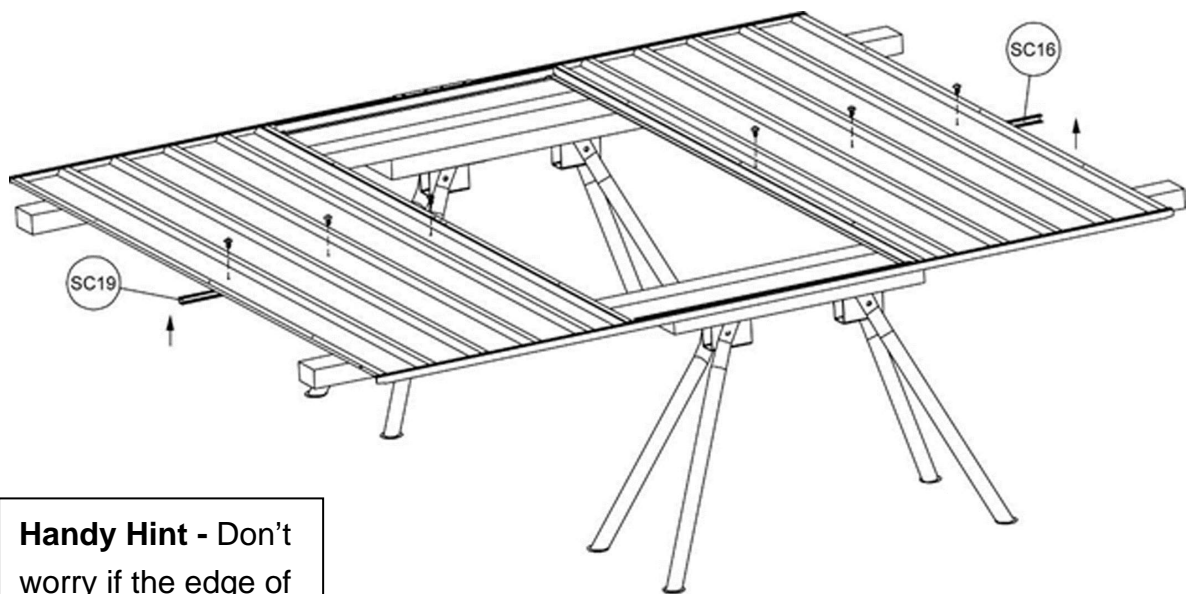


Diagram 6

- 4 Now fit 26L and 26M bottom channel as per diagram 6 using 10mm self-tapping screws. The narrow lip of the channel is always facing the outside of the shed. Fit SC18 and SC17 top channels. Now fit 42A jamb and 66 connector and then 23A bottom channel. Do not insert the screws marked with the cross now, you will insert these at a later stage.

- 5 Now fit SC19 and SC18 mid wall channels.

**Handy Hint** - The "U" of the midwall channel faces down towards the bottom channels 26L & 26M



**Handy Hint** - Don't worry if the edge of sheet SS02 looks like swiss cheese. This is intentional. It will be covered in the completed job.

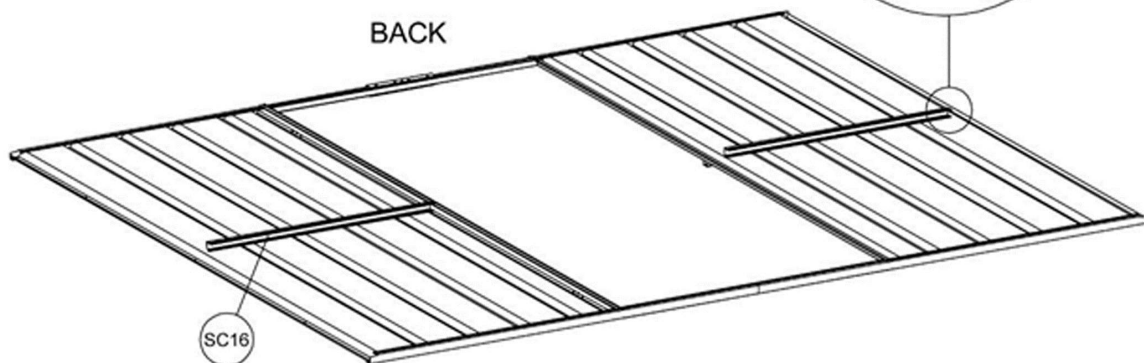
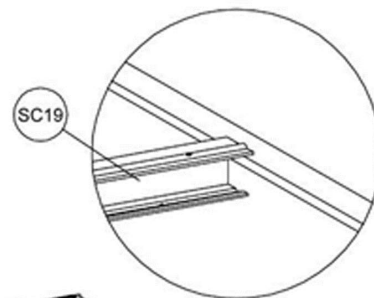


Diagram 7

6 Attach the door as per diagram 8 using 4.0\*10mm

**Handy Hint** – It is a good idea to ream the holes out first with a 4mm drill bit to ensure no metal filings are blocking the rivet holes

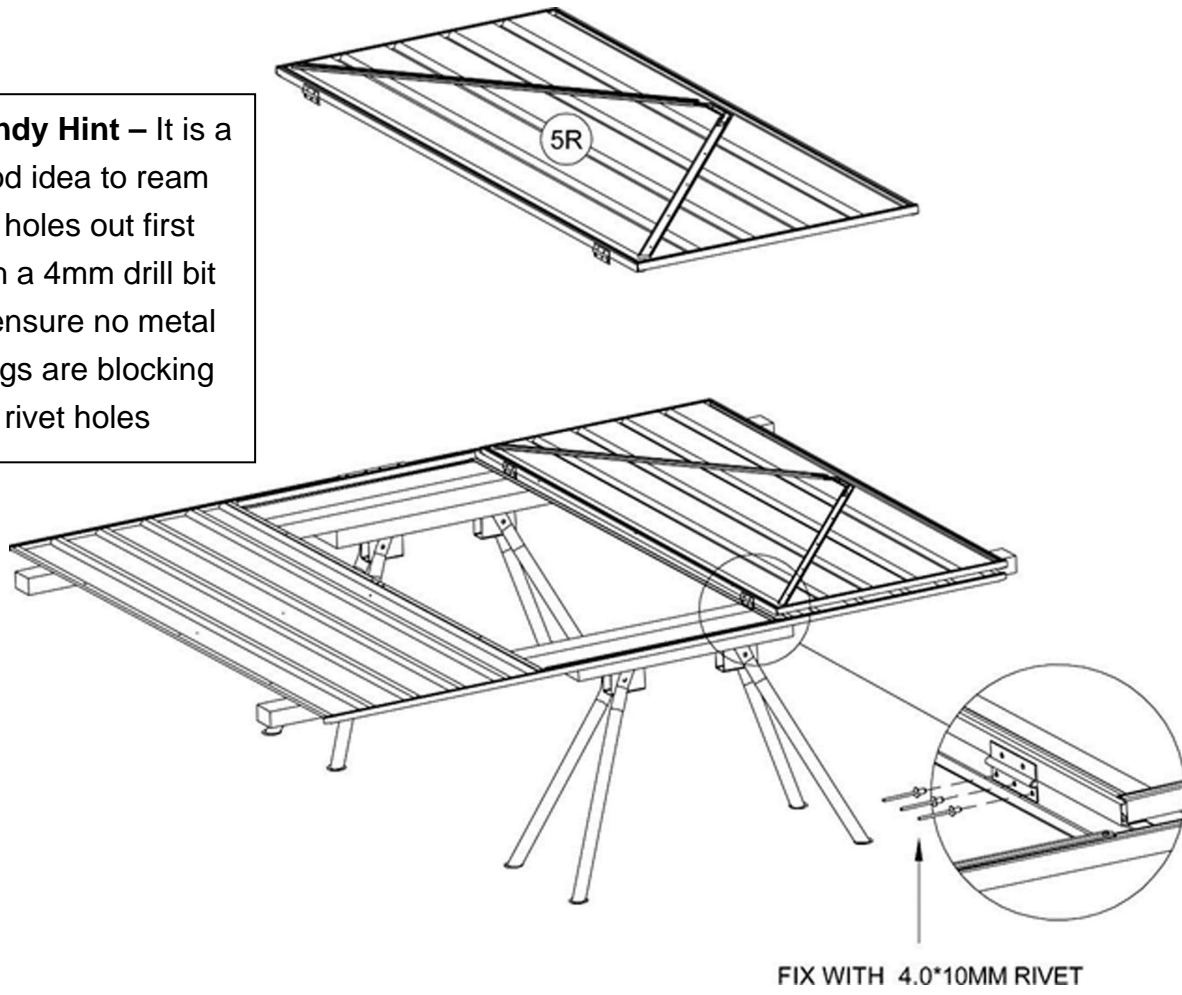
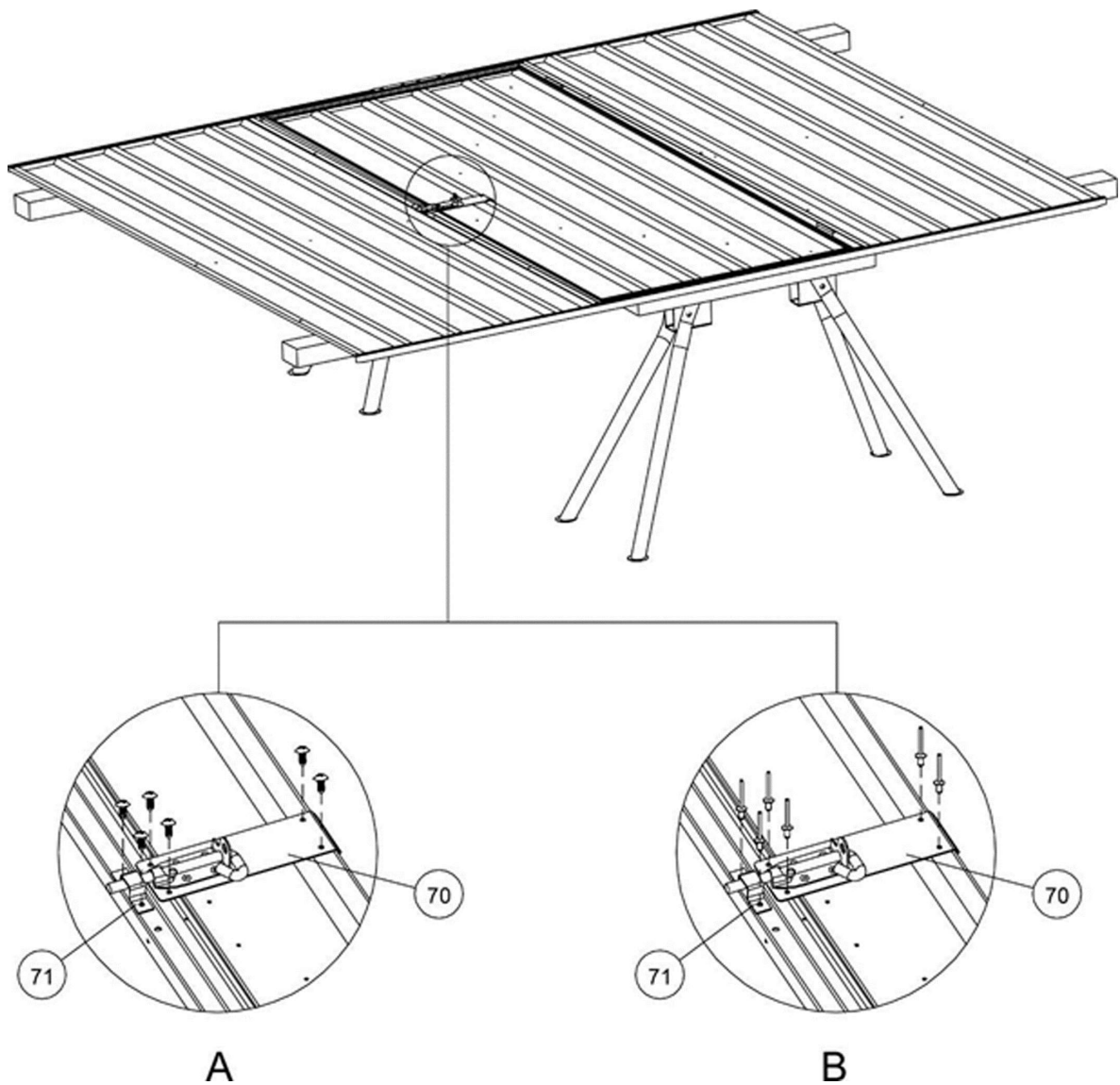
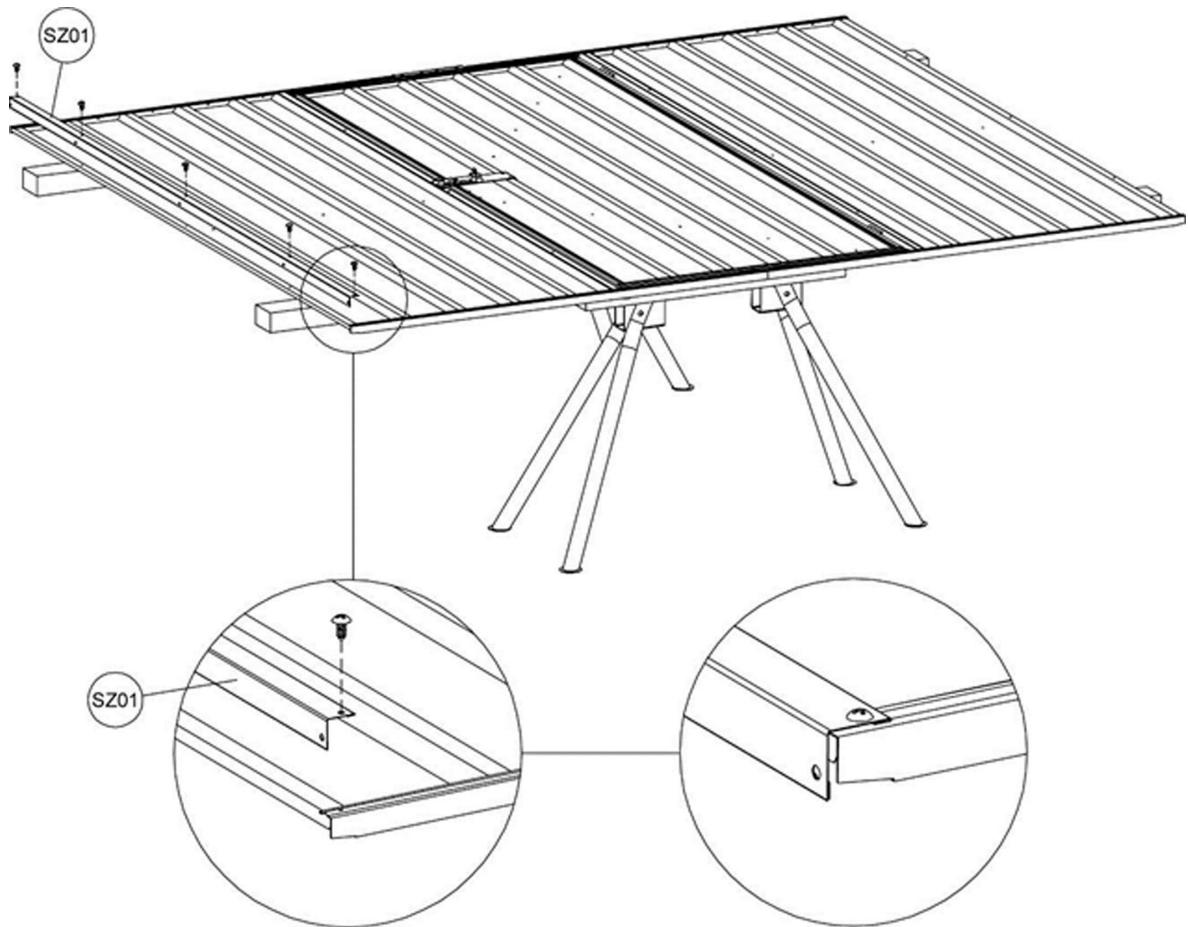


Diagram 8

- 7 Attach 70 pad bolt and 71 keeper as per diagram 9. You can use rivets or screws. For security purposes, we recommend that you use rivets.



- 8** Take the corner angle SZ01 and attach it to the left hand edge of your wall. This will be used to join other walls later.



**You have now completed the assembly of this module**

### **What's next?**

You will have some screws left over. Don't worry you haven't forgotten anything; we give you more than you need.

Put your 2300mm x 1900mm wall with one hinged door to one side in a safe place where it won't get stepped on, blown over or otherwise damaged and move onto the next wall. If this was the fourth wall you have constructed the next job is the roof.