

## Wall 3000 with a single hinged door

This module will enable you to construct a 3000mm x 1900mm wall with a single hinged door that will be used in your new garden shed.

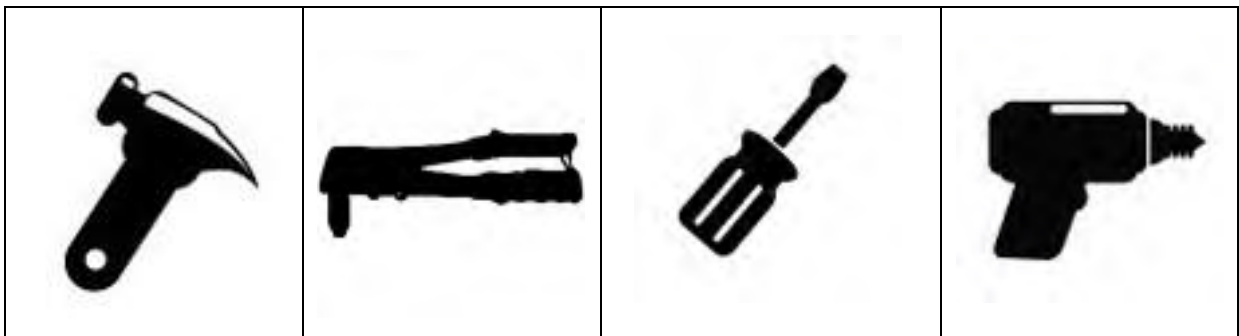
### Before you begin the build

Just like our sheds, our manuals are designed in modules to make assembly easier and simpler. Your shed will have come in 5 or 6 boxes that are easy to handle. Each carton contains one shed module together with instructions on how to assemble that module. You begin by assembling your wall modules, then your roof modules and finally you put those modules together to erect your shed.

The key to a hassle free shed assembly is to take your time and have your work area and shed base well prepared prior to starting the build. We suggest that before you go any further, if you haven't already, locate your roof module carton and find the instructions. The roof module instructions contain details on site preparation, your first job, and module assembly and anchoring your shed to the base. **So before you go any further, read the roof module instructions, it will save you time and frustration.**

If you have already read about site preparation – onward.

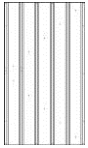
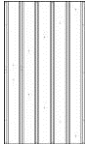
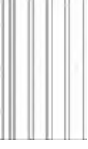
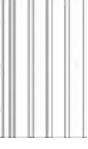






### *Tools you will need.*








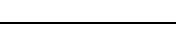


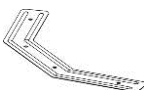


## Check the contents


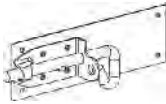
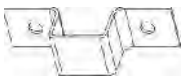
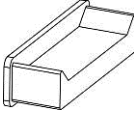


Before you start to construct this wall you will need to check off all of the contents

### Parts checklist for a 3000 wall with a single hinged door

Picture	Description	Component	Location	Part No.	QTY	Check
	Door	Sheet 1845x770	Door	5R	1	
	Sheet	Sheet 1900x770	Wall	9M	1	
	Sheet	Sheet 1900x735	Wall	SS02	1	
	Sheet	Sheet 1900x735	Wall	SS03	1	
	Channel	Channel 1843	Door	24A	1	
	Channel	Channel 1843	Door	24B	1	
	Channel	Channel 768	Door	21C	2	
	Brace	brace 1075	Door	U4	2	
	Channel	Channel 1346	Wall	SC22	1	
	Channel	Channel 1642	Wall	SC23	1	

Picture	Description	Component	Location	Part No.	QTY	Check
	Channel	Channel 1642	Wall	SC21	1	
	Channel	Channel 1346	Wall	SC20	1	
	Channel	Channel 775	Wall	23	1	
	Channel	Channel 645	Wall	SC16	1	
	Channel	Channel 1385	Wall	SC24	1	
	Jamb	Jamb 1898	Wall	41A	1	
	Jamb	Jamb 1898	Wall	41B	1	
	Jamb	Jamb 775	Wall	42	1	
	Jamb	Jamb 1898	Wall	SZ01	1	
	Channel connector	Channel connector 188mm	Wall	66	2	
	Brace	Brace	Door	w	1	

**Fittings Pack**

Picture	Component	QTY	Picture	Component	QTY
	Self tapping screws(10mm)	82		Pad bolt (70)	1
	Keeper (71)	1		White plastic stopple	4
	3*10mm Rivet	40		4*10mm Rivet	6

**If you are missing anything call The Garden Shed Hotline 1300 781 230**

### Start the Build

Here is what you are building. It is a 3000mm wide x 1900mm high wall with a single hinged door. This type of wall is typically a side or front wall for your shed.

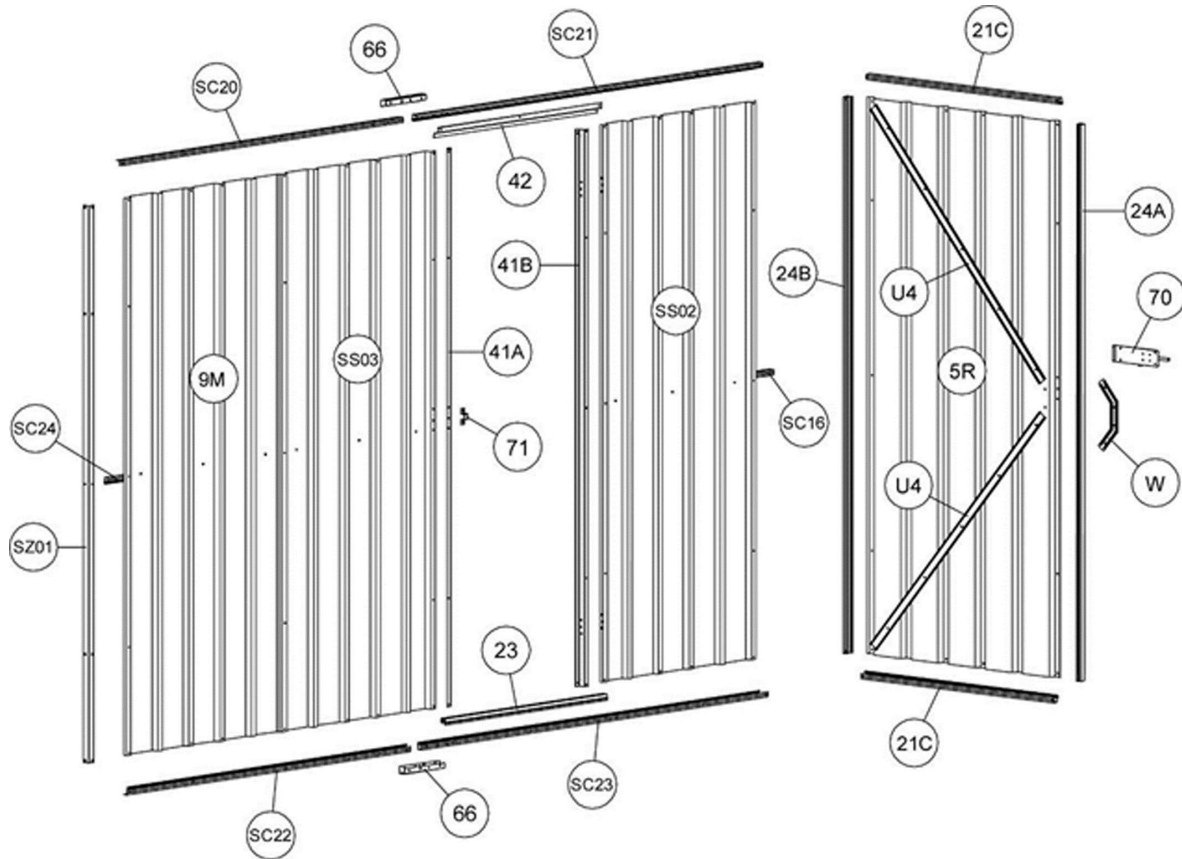
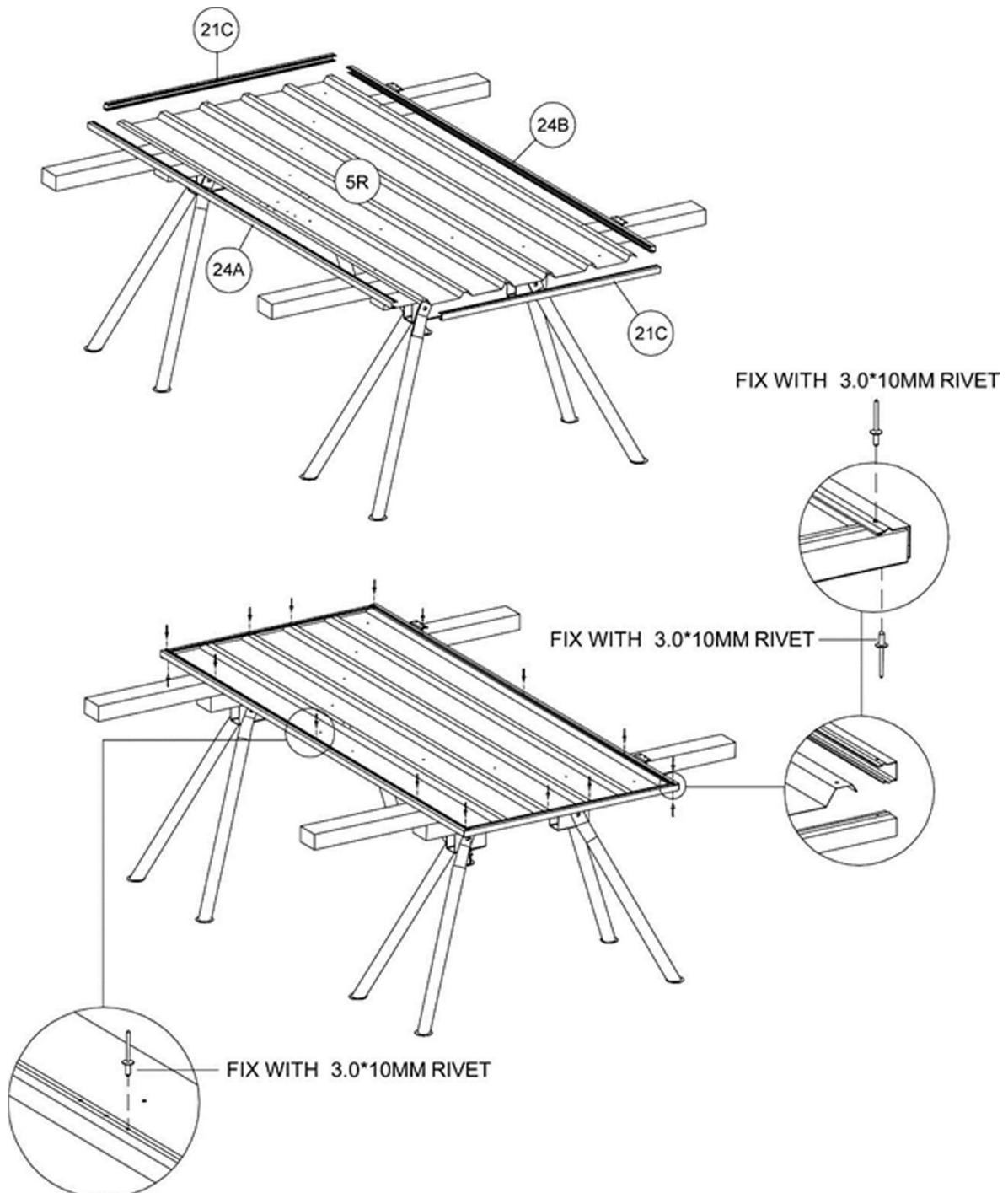


Diagram 1

**Assembly Instructions**

- 1 Place the 5R sheet on your workbench. Attach 2 x 21C, 24A and 24B channels using 3.0\*10mm rivets as per diagram 2.

*Diagram 2*

- 2 Now attach W and U4 door bracing using 3.0\*10mm rivets as per diagram 3 below. Fit the white plastic stopple as per diagram 5 to ensure no sharp edges.

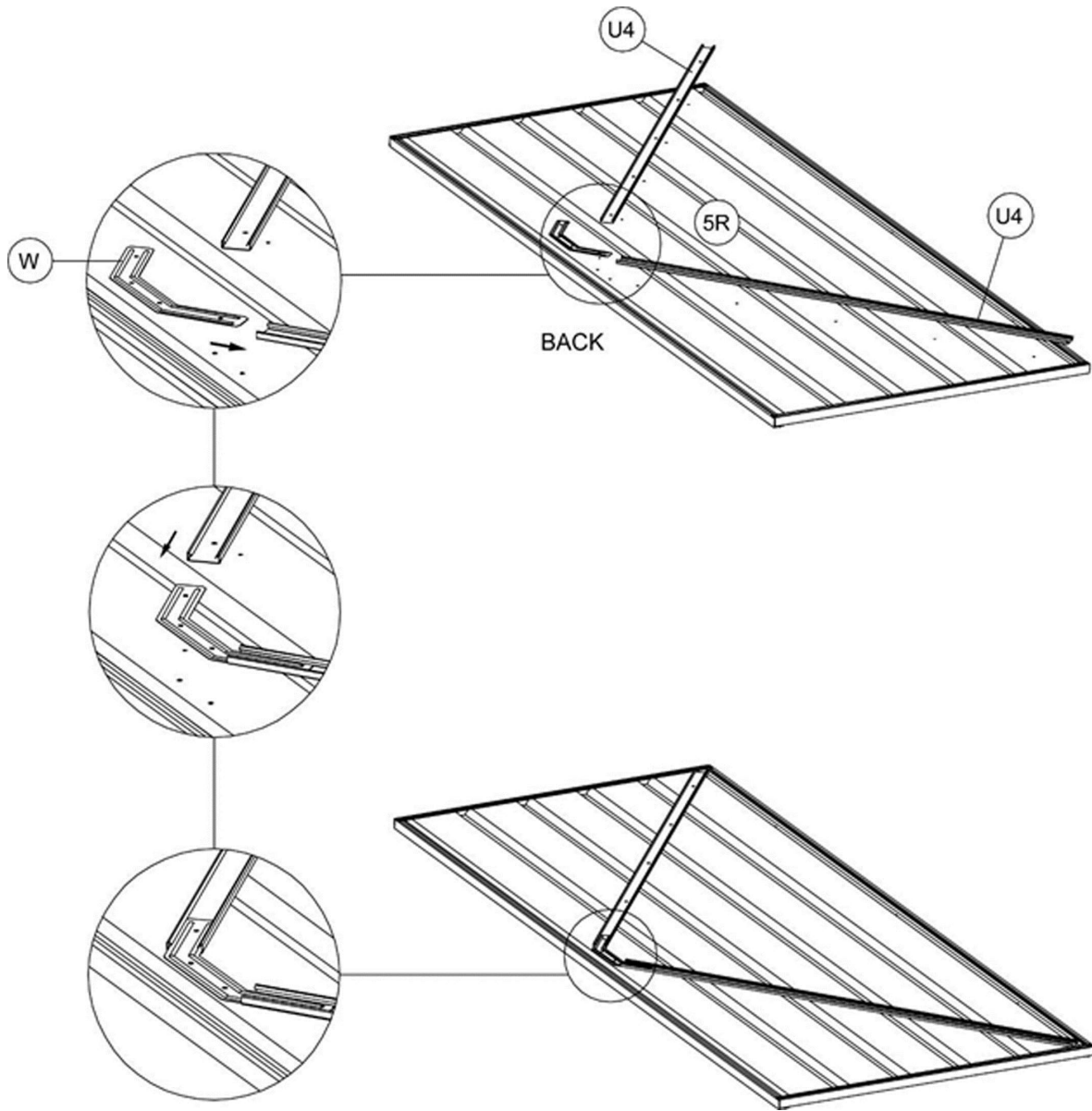
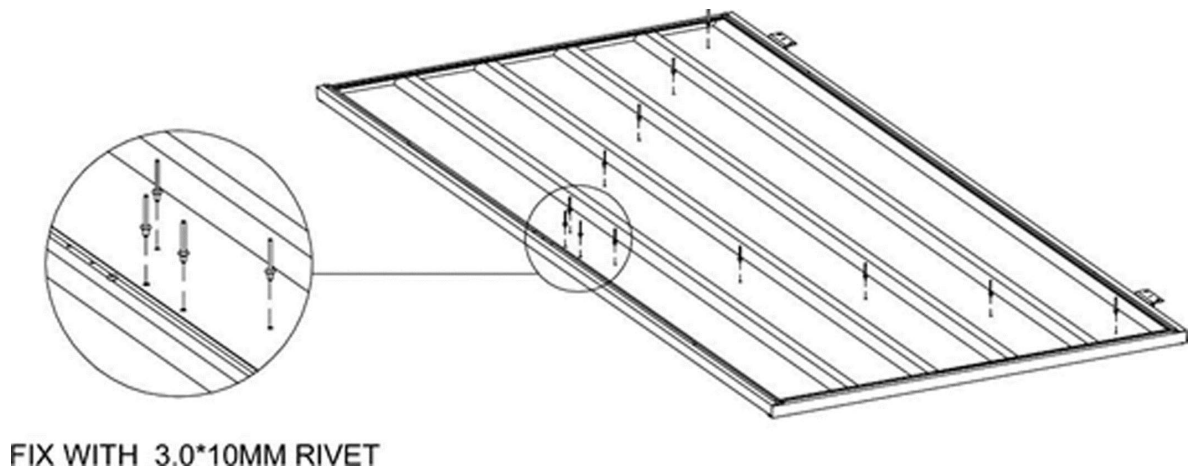
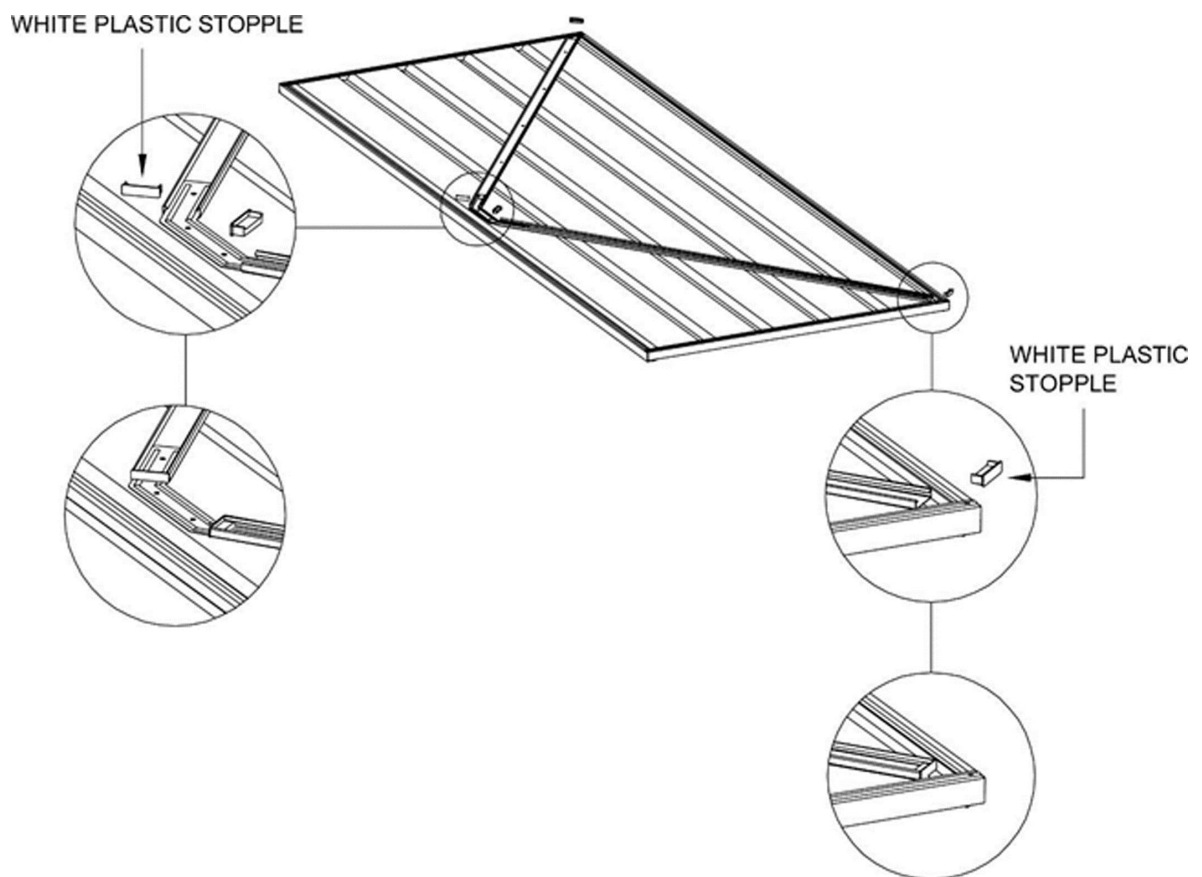


Diagram 3



FIX WITH 3.0\*10MM RIVET

Diagram 4



WHITE PLASTIC STOPPLE

WHITE PLASTIC STOPPLE

Diagram 5



- 3 Place SS02 and SS03 and 9M sheeting on your work table. Now fit 41B jamb 41A jamb as per the diagram using 10mm self-tapping screws.

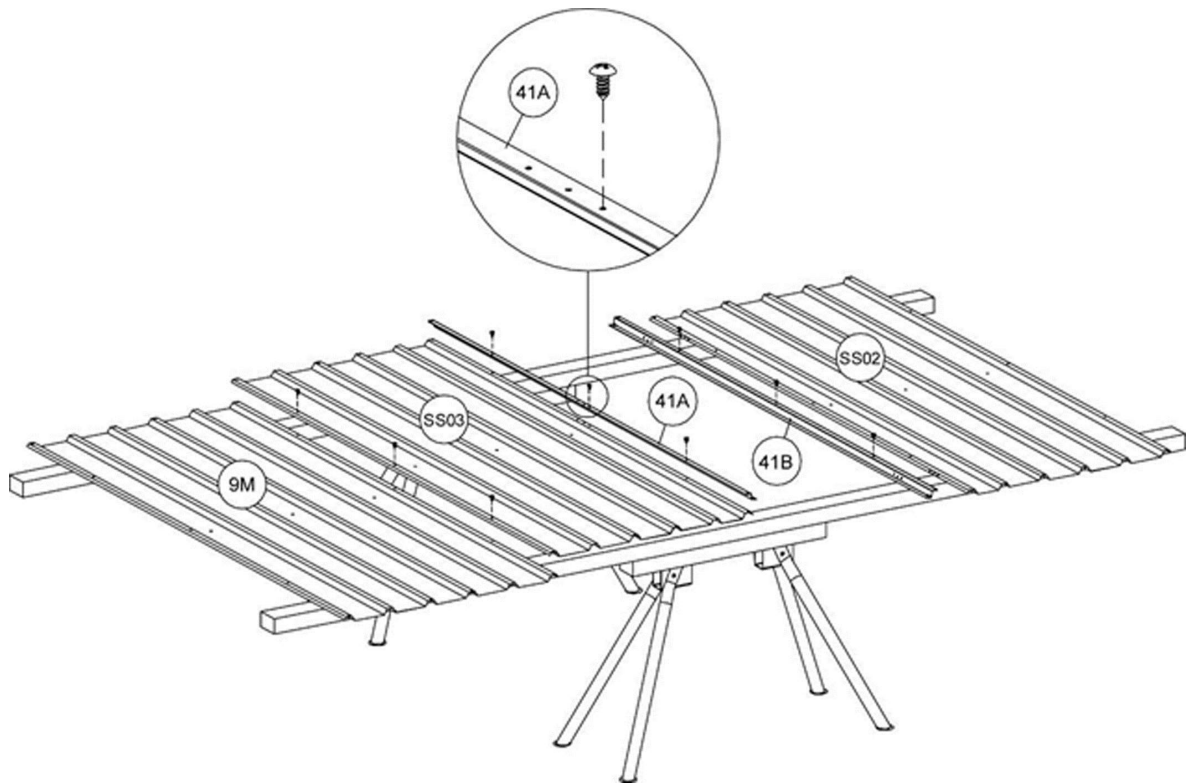
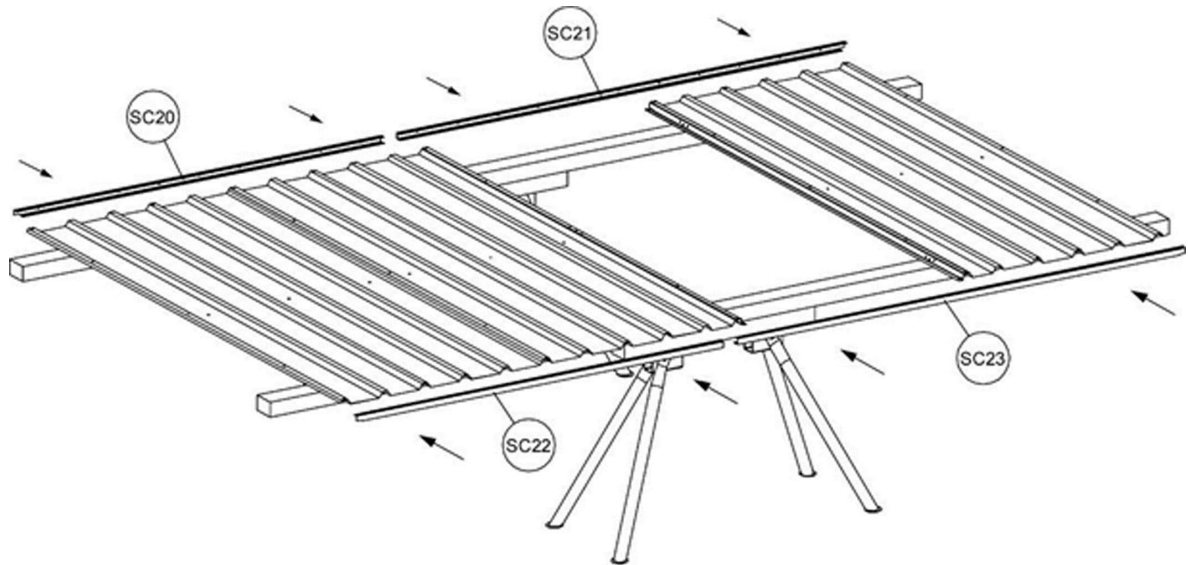


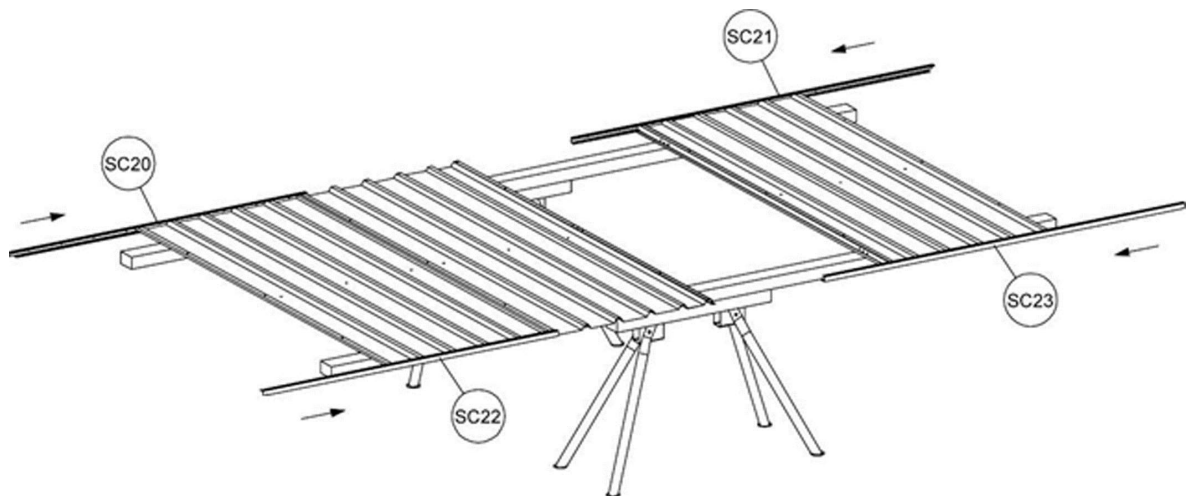
Diagram 6

**Handy Hint** – Don't worry if the edge of sheet SS02 looks a bit like swiss cheese. This is intentional. These holes will be covered in the completed job.

- 4 Now fit SC22 and SC23 bottom channels using 10mm self-tapping screws. The narrow lip of the channel is always facing outside of your shed. Now fit SC20 and SC21 top channels. You can either tap or slide on the channels.



A



B

Diagram 7

- Fit the 66 connectors to SC20 & 21 and SC22 & 23. Now fit 42 jamb and then 23 bottom channel, then fit SC24 and SC16 mid wall channels. Do not insert the screws marked with the cross now, you will insert these at a later stage.

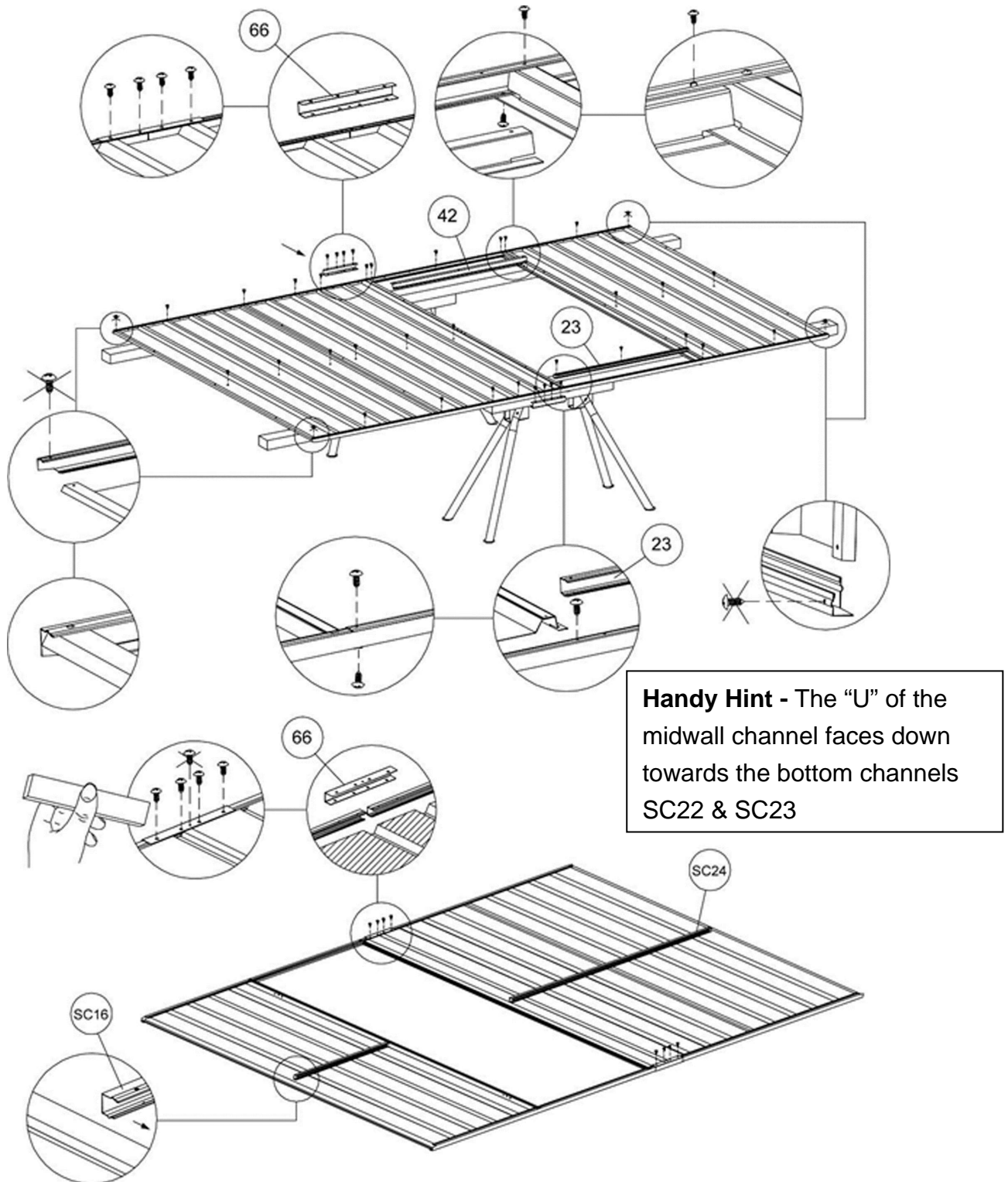
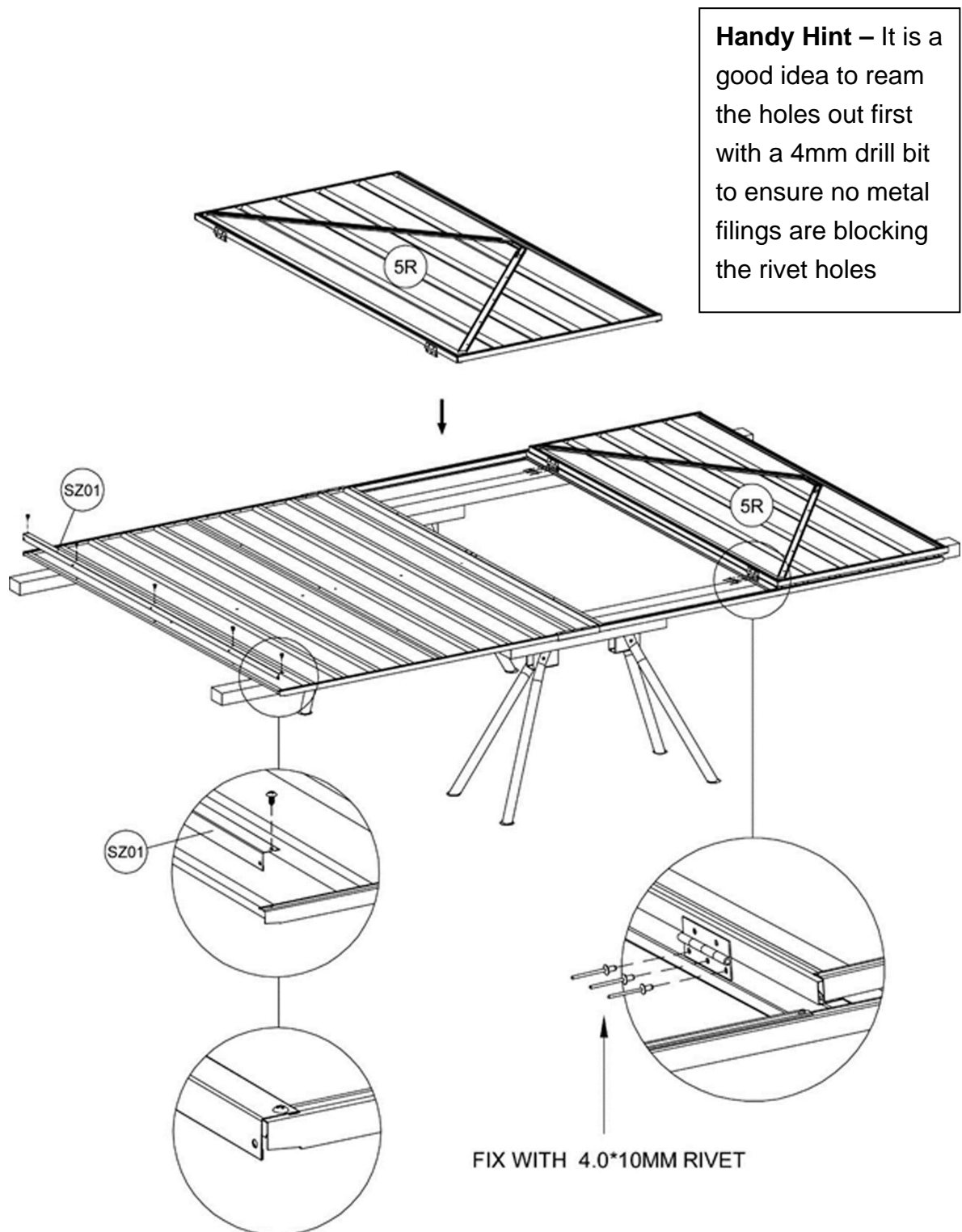


Diagram 8

- 6 Attach the door as per diagram 9 using 4.0\*10mm rivets. Take the corner angle SZ01 and attach it to the left hand edge of your wall. This will be used to join other walls later.



- 7 Attach 70 pad bolt and 71 keeper as per diagram below. You can use rivets or screws. For security purposes, we recommend that you use rivets.

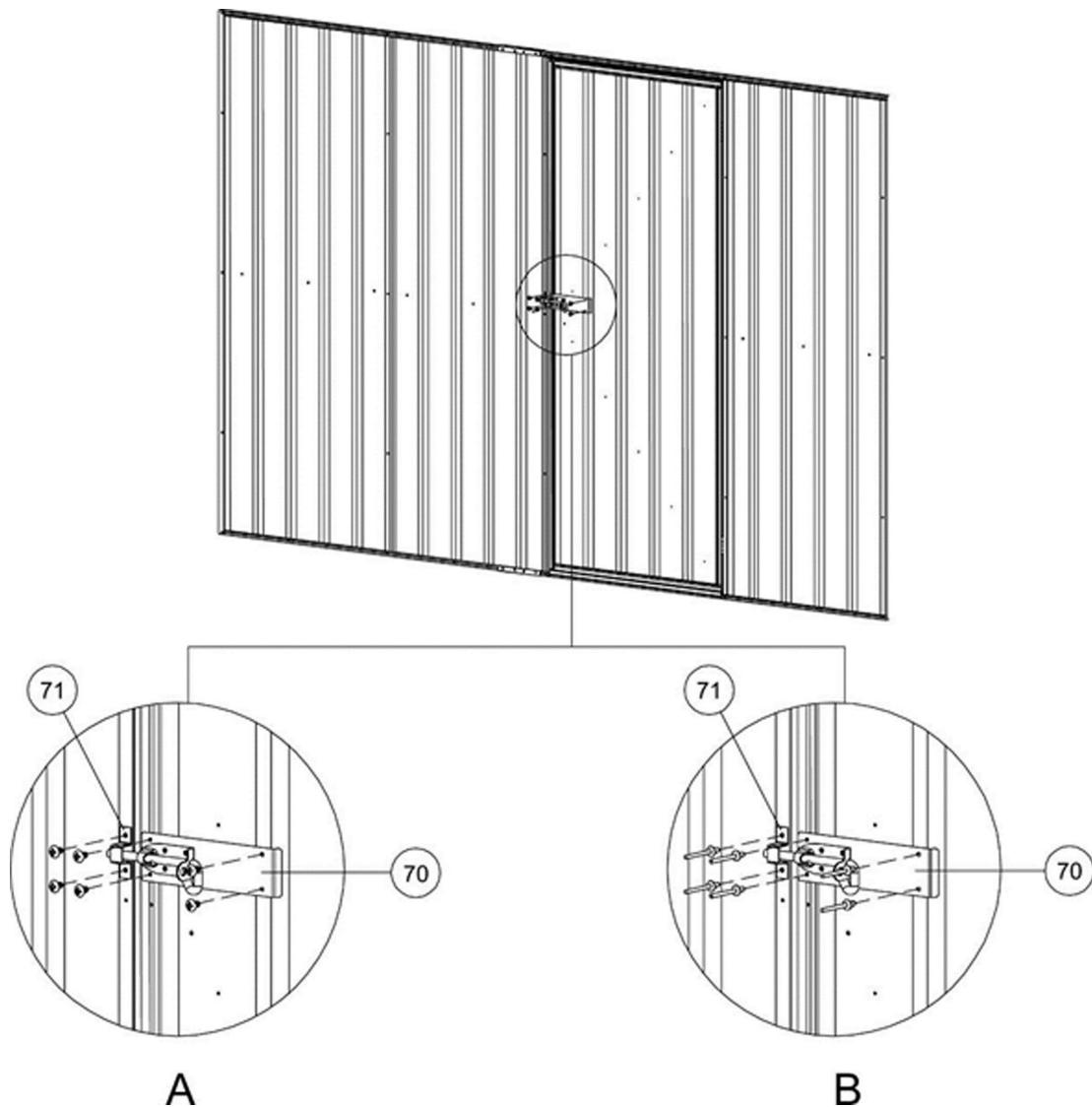


Diagram 10

**You have now completed the assembly of this module**

### What's next?

You will have some screws left over. Don't worry you haven't forgotten anything; we give you more than you need.

Put your 3000mm x 1900mm wall with one hinged door to one side in a safe place where it won't get stepped on, blown over or otherwise damaged and move onto the next wall. If this was the fourth wall you have constructed the next job is the roof.