

Wall 3000 with a double hinged door

This module will enable you to construct a 3000mm x 1900mm wall with a double hinged door that will be used in your new garden shed.

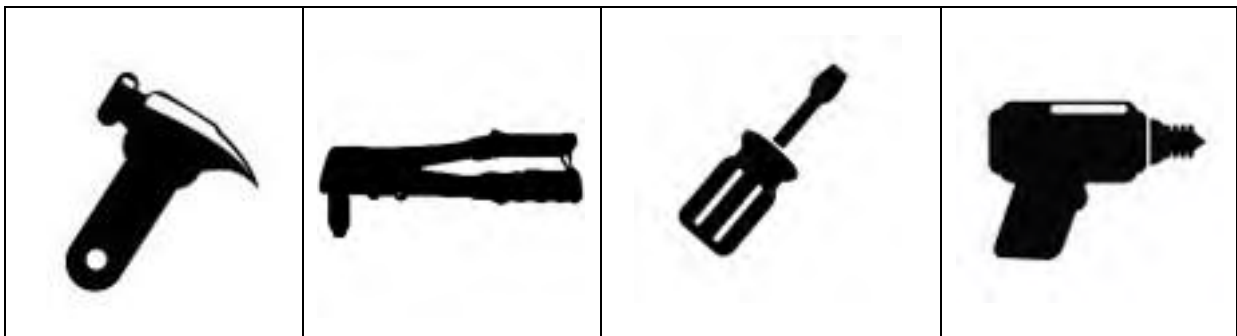
Before you begin the build

Just like our sheds, our manuals are designed in modules to make assembly easier and simpler. Your shed will have come in 5 or 6 boxes that are easy to handle. Each carton contains one shed module together with instructions on how to assemble that module. You begin by assembling your wall modules, then your roof modules and finally you put those modules together to erect your shed.

The key to a hassle free shed assembly is to take your time and have your work area and shed base well prepared prior to starting the build. We suggest that before you go any further, if you haven't already, locate your roof module carton and find the instructions. The roof module instructions contain details on site preparation, your first job, and module assembly and anchoring your shed to the base. **So before you go any further, read the roof module instructions, it will save you time and frustration.**

If you have already read about site preparation – onward.

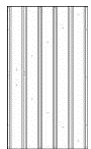
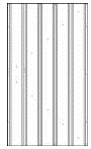
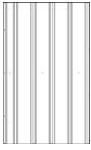
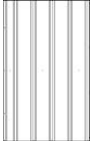





Tools you will need.
















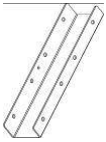
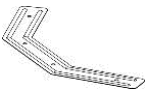
Check the contents

Before you start to construct this wall you will need to check off all of the contents.


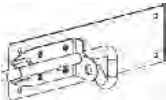
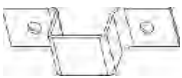
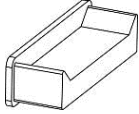


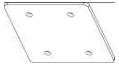

Parts checklist for a 3000 wall with a double hinged door

Picture	Description	Component	Location	Part No.	QTY	Check
	Door	Sheet 1845x770	Door	5R	1	
	Door	Sheet 1845x770	Door	5L	1	
	Sheet	Sheet 1900x717	Wall	SS04	1	
	Sheet	Sheet 1900x717	Wall	SS05	1	
	Channel	Channel 1843	Door	24A	1	
	Channel	Channel 1843	Door	24B	2	
	Channel	Channel 768	Door	21C	2	
	Channel	Channel 764	Door	21M	1	
	Channel	Channel 764	Door	21N	1	

Picture	Description	Component	Location	Part No.	QTY	Check
	Jamb	Jamb 1843	Wall	44	1	
	Brace	Brace 1075	Door	U4	4	
	Channel	Channel 1494	Wall	27L	1	
	Channel	Channel 1494	Wall	27M	1	
	Channel	Channel 1494	Wall	SC26	1	
	Channel	Channel 1494	Wall	SC27	1	
	Channel	Channel 1549	Wall	28	1	
	Channel	Channel 645	Wall	SC16	1	
	Channel	Channel 645	Wall	SC19	1	
	Jamb	Jamb 1898	Wall	41B	1	
	Jamb	Jamb 1898	Wall	41C	1	
	Jamb	Jamb 1549	Wall	43	1	
	Jamb	Jamb 1898	Wall	SZ01	1	

Picture	Description	Component	Location	Part No.	QTY	Check
	Channel connector	Channel connector 188mm	Wall	66	1	
	Brace	Brace	Door	w	2	

Fittings Pack

Picture	Component	QTY	Picture	Component	QTY
	Self tapping screws(10mm)	72		Pad bolt (70)	1
	Keeper (71)	2		White plastic stopple	8
	3*10mm Rivet	72		4*10mm Rivet	20
	65x65mm barrel bolt plate (75)	1		60mm barrel bolt (74)	2

If you are missing anything call The Garden Shed Hotline 1300 781 230

Start the Build

Here is what you are building. It is a 3000mm wide x 1900mm high wall with a double hinged door. This type of wall is typically a side or front wall for your shed.

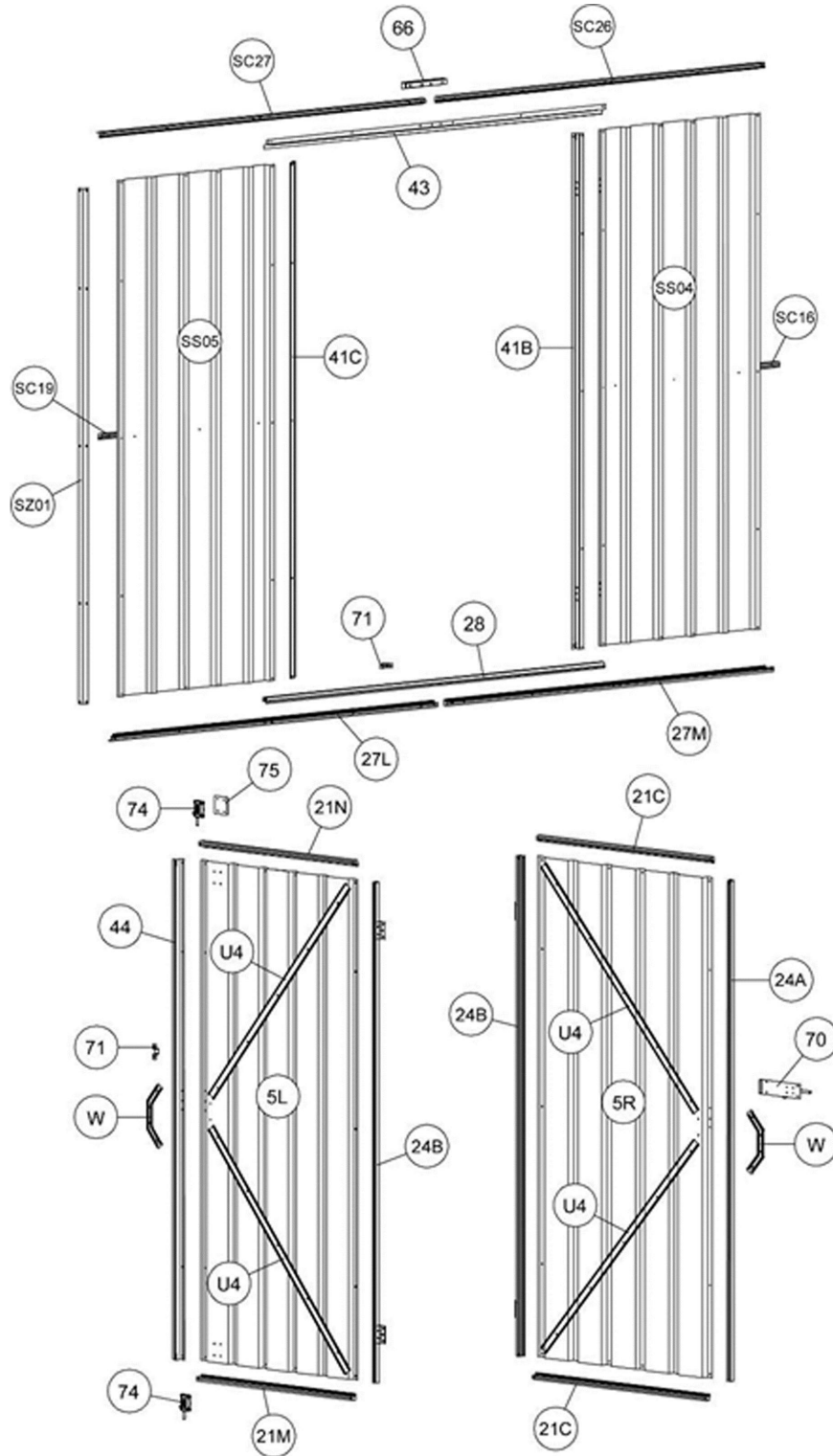


Diagram 1

Assembly Instructions

- 1 Place the 5R sheet on your workbench. Attach 2 x 21C, 24A and 24B channels using 3.0*10mm rivets as per the diagram 2.

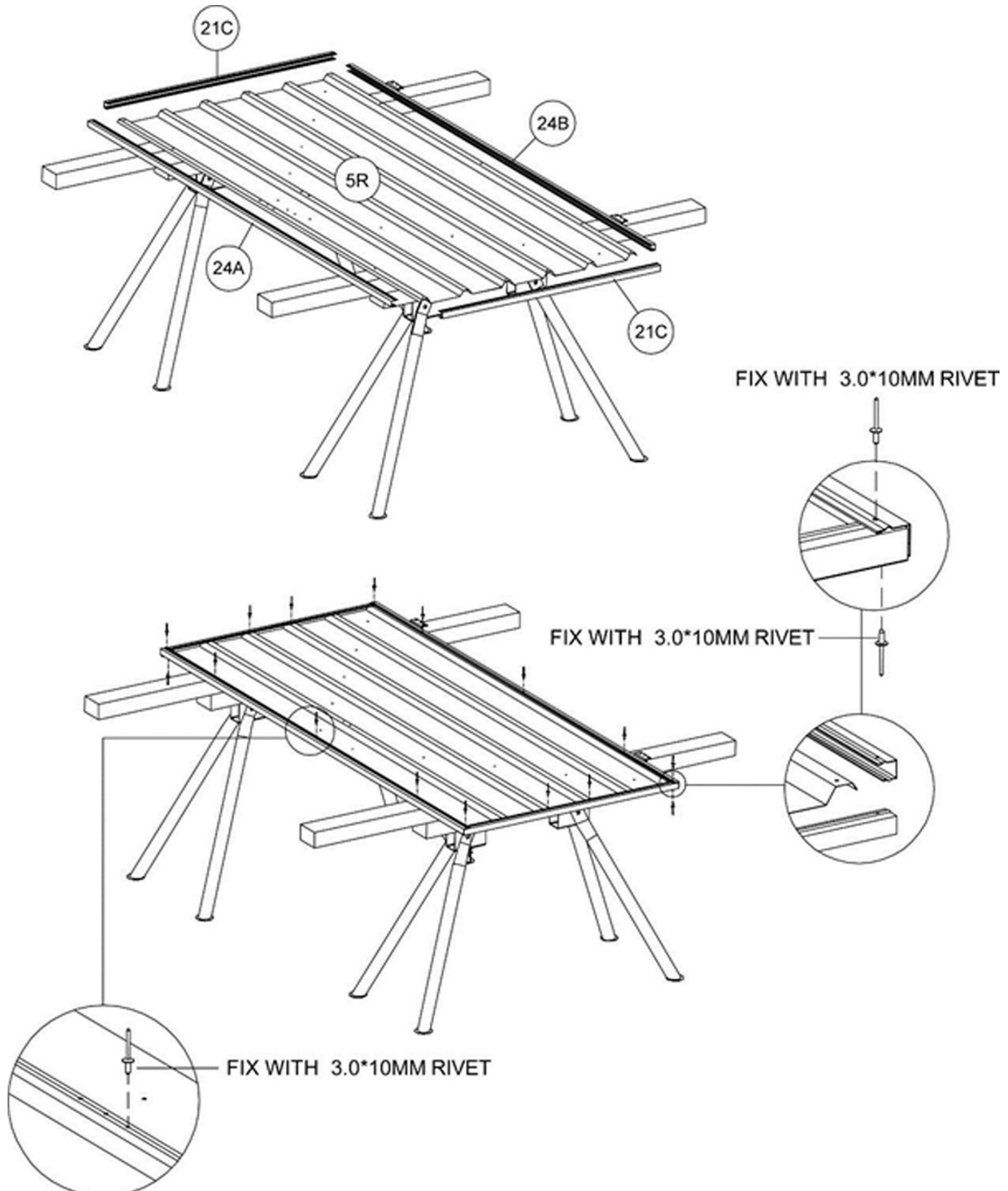


Diagram 2

- Place the 5L sheet on your workbench. Attach 21M and 21N, 44 and 24B channels using 3.0*10mm rivets as per the diagram 3.

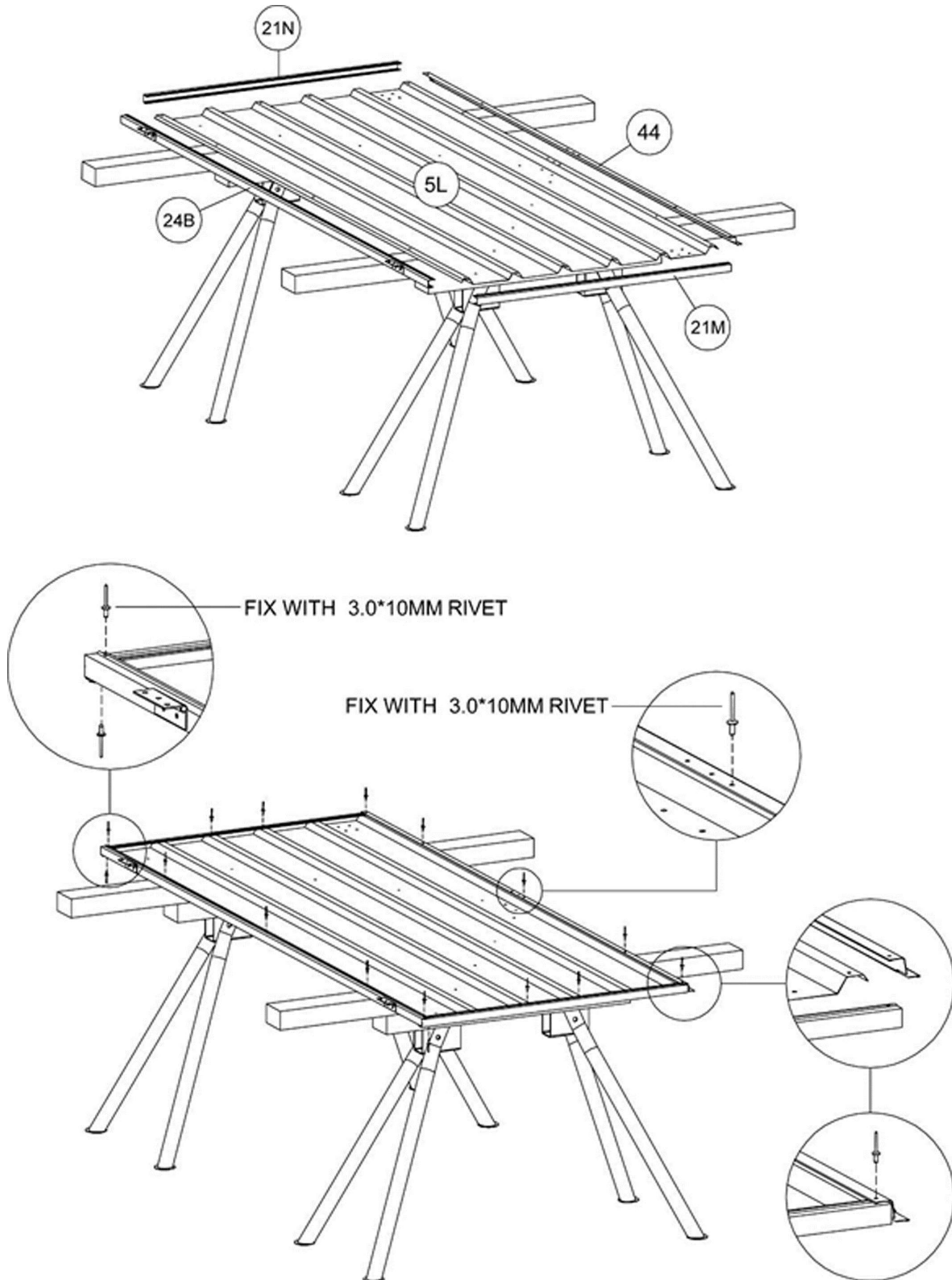
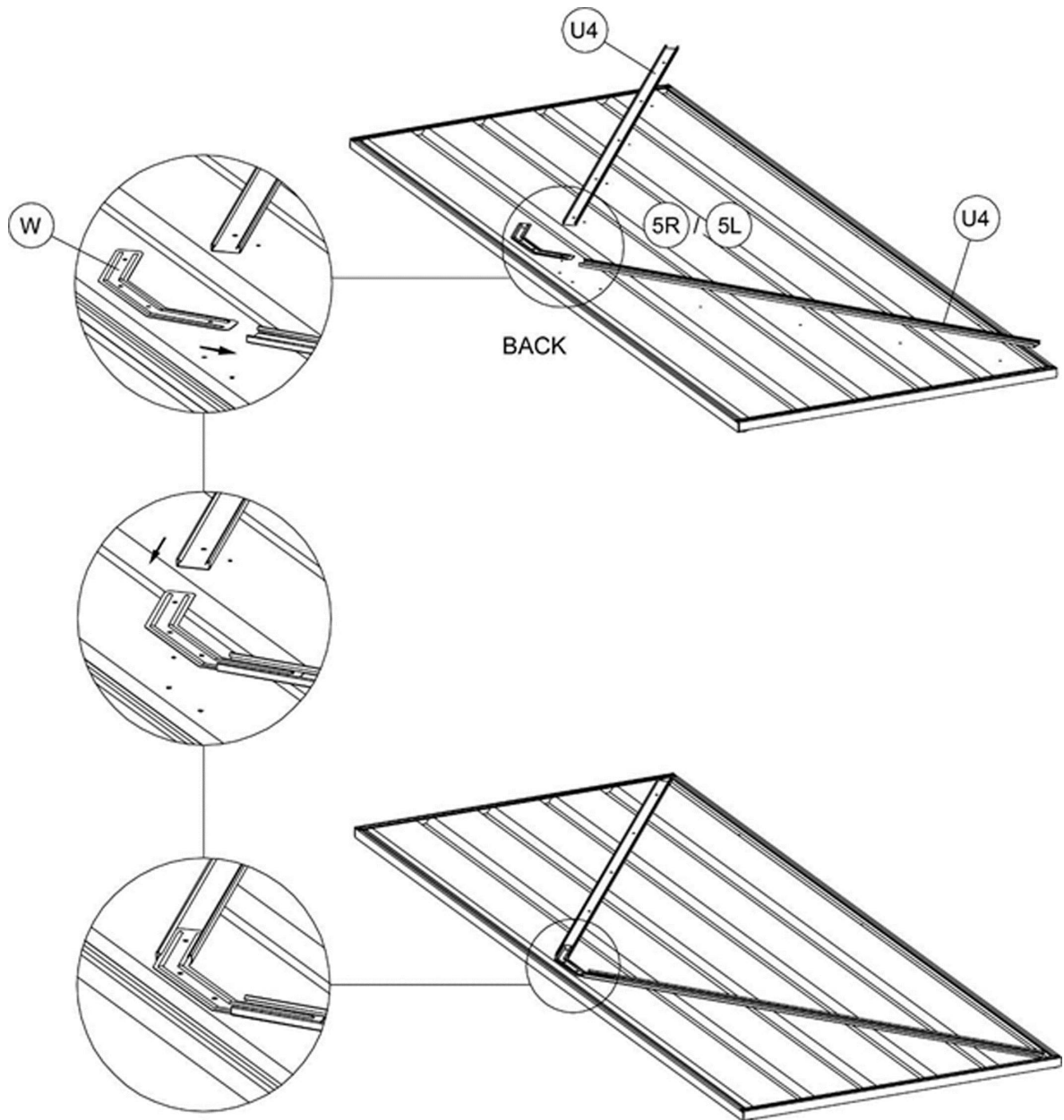
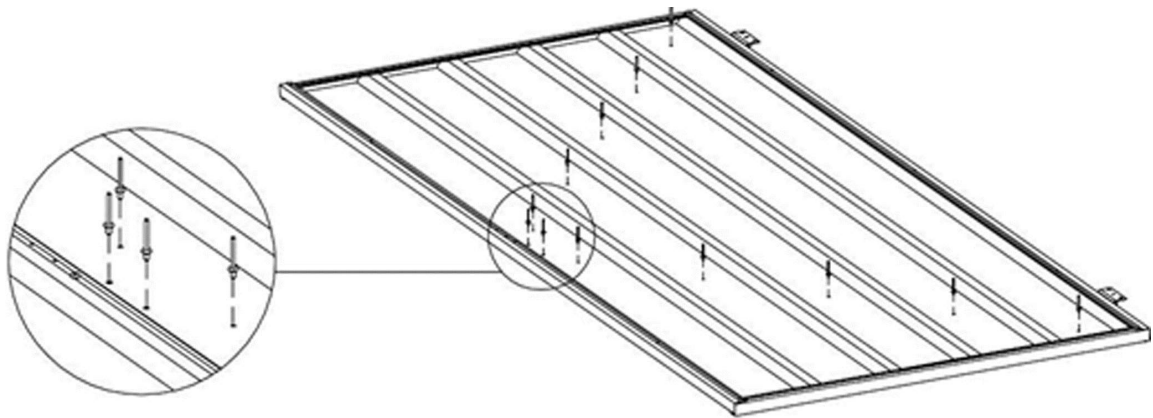


Diagram 3

- 3 Now attach W and U4 door bracing using 3.0*10mm rivets as per diagrams 4 and 5 below. Fit the white plastic stopple as per diagram 6 to ensure no sharp edges Repeat the procedure for both doors





FIX WITH 3.0*10MM RIVET

Diagram 5

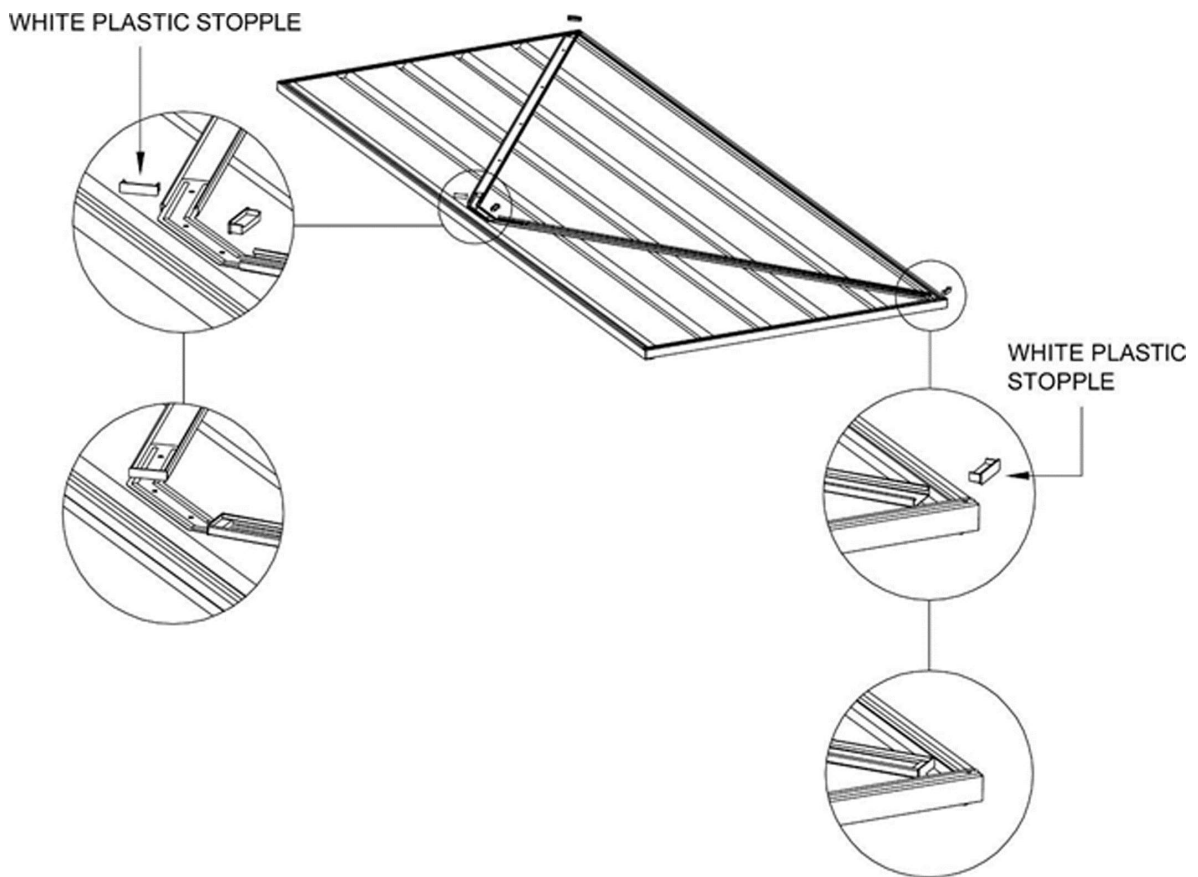


Diagram 6

- 4 Now fix 75 Barrel Bolt Plate and 74 Barrel Bolts as per diagram 7 using 4.0*10mm rivets.

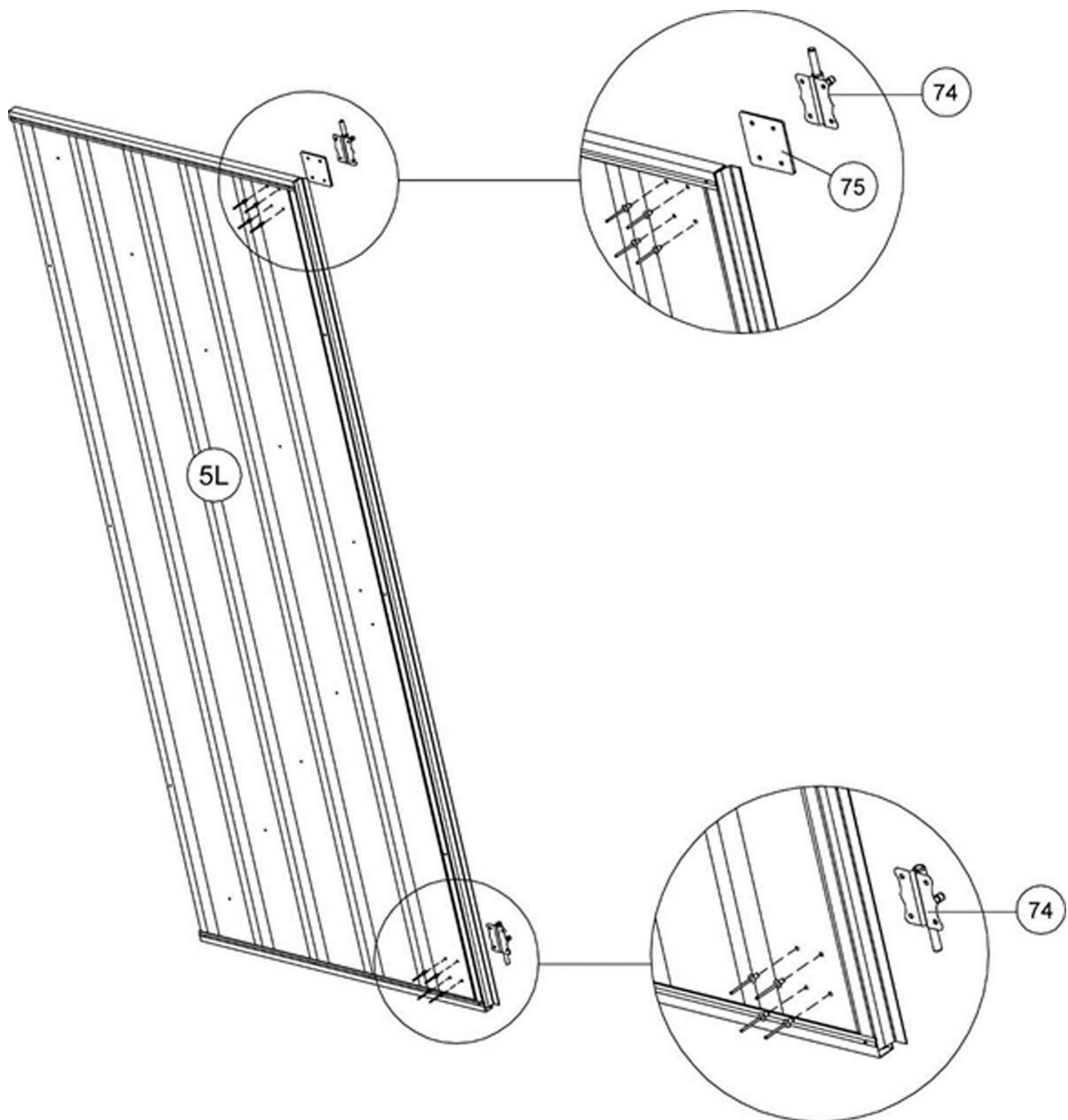


Diagram 7

- 5 Place sheets SS05 and SS04 on your work table. Now fit 41B jamb 41C jamb as per diagram 8 using 10mm self-tapping screws. Do not insert the screws marked with the cross now, you will insert these at a later stage.

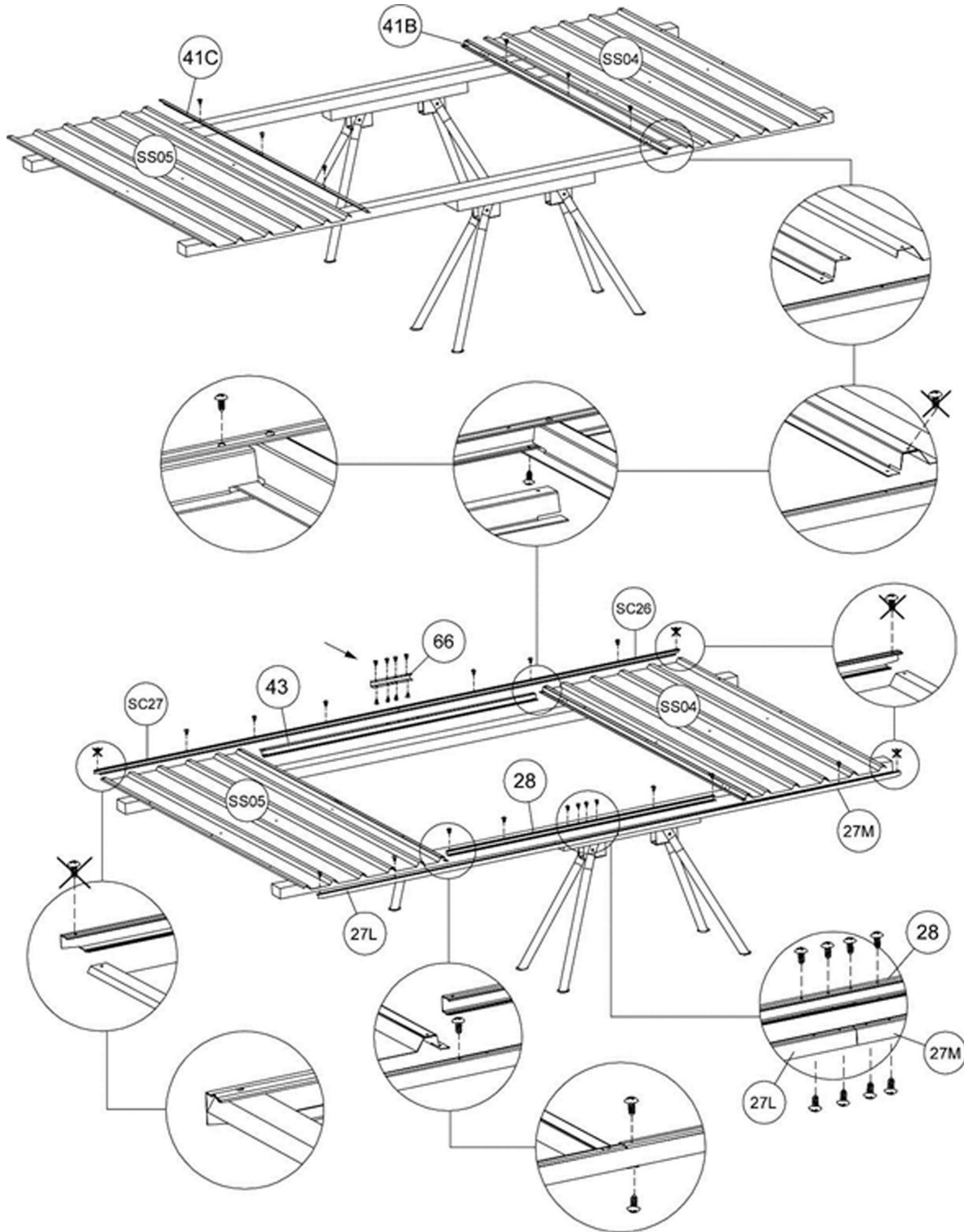
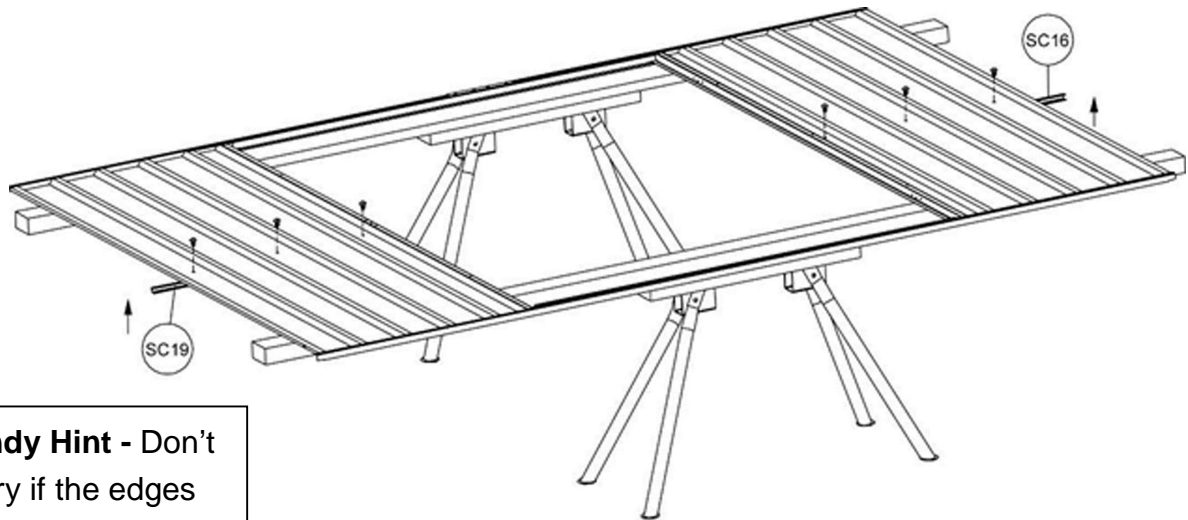
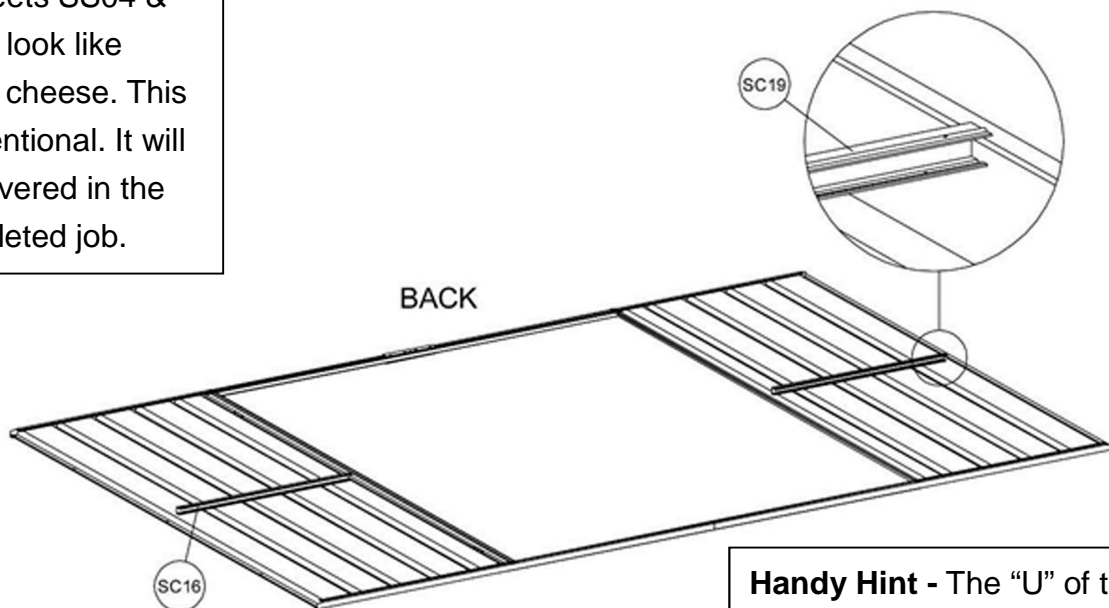


Diagram 8

- 6 Now fit 27L and 27M bottom channels and 28 channel as per diagram 8 using 10mm self-tapping screws. The narrow lip of channel is always facing towards the outside of your shed. Now fit SC27 and SC28 top channel and 66 connector and 43 jamb.
- 7 Now fit SC19 and SC16 mid wall channel using self – tapping screws 10mm.



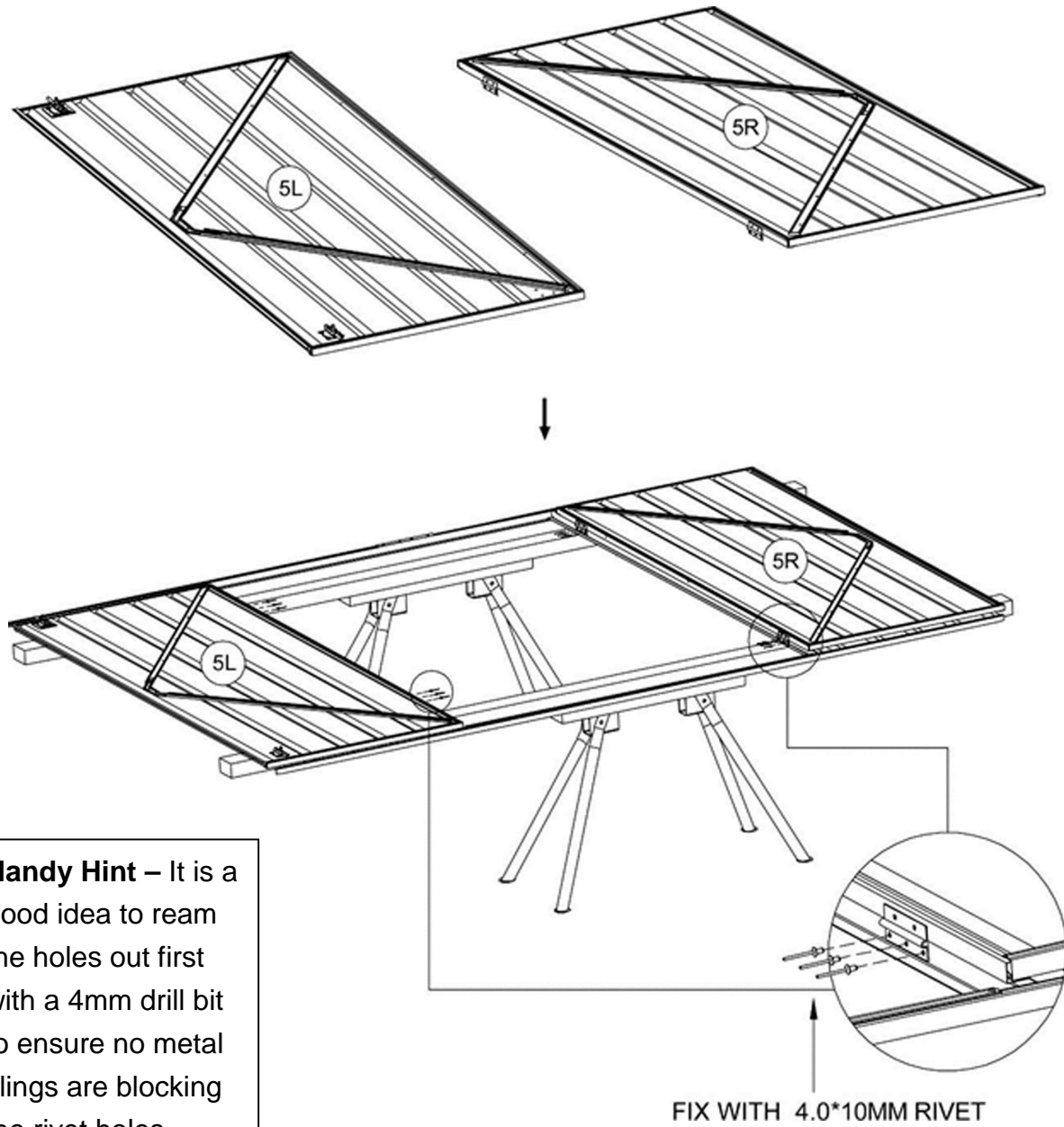
Handy Hint - Don't worry if the edges of sheets SS04 & SS05 look like swiss cheese. This is intentional. It will be covered in the completed job.



Handy Hint - The "U" of the midwall channel faces down towards the bottom channels 27L & 27M

Diagram 9

8 Attach doors as per diagram 10 using 4.0*10mm rivets



Handy Hint – It is a good idea to ream the holes out first with a 4mm drill bit to ensure no metal filings are blocking the rivet holes

Diagram 10

- 9 Attach 70 pad bolt and 71 keeper as per diagram 11. You can use rivets or screws. For security purposes, we recommend that you use rivets.

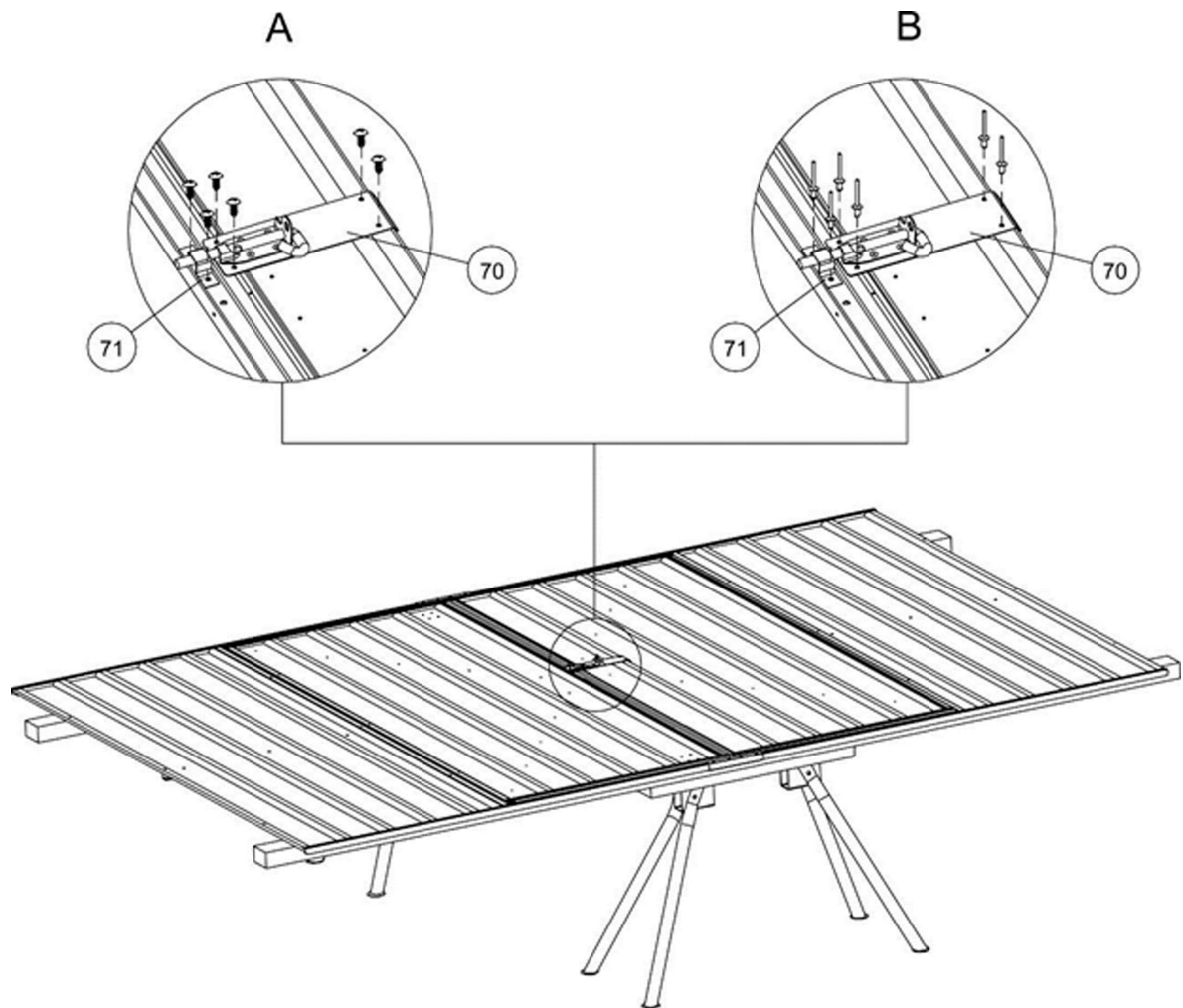


Diagram 11

10 Take the corner angle SZ01 and attach it to the left hand edge of your wall. This will be used to join other walls later.

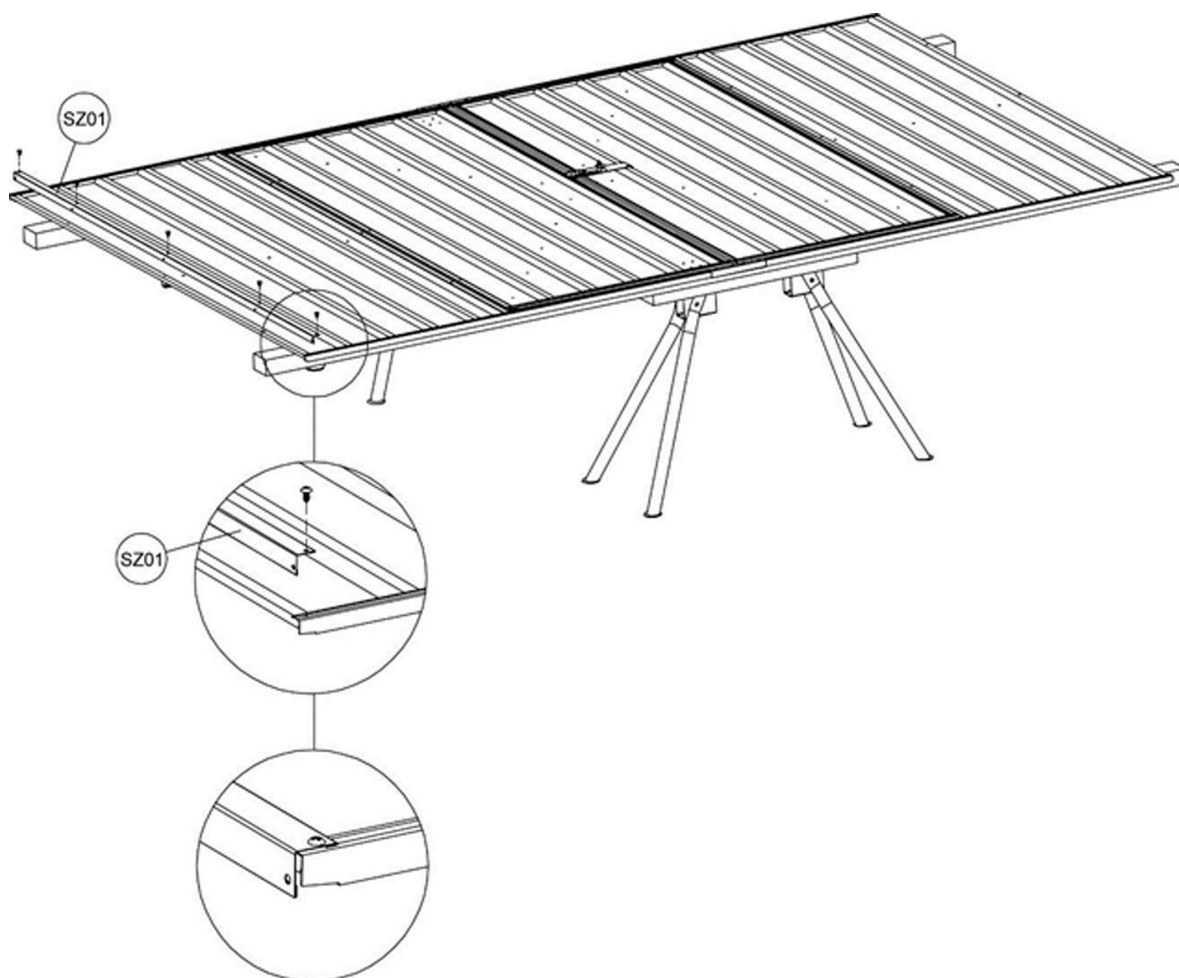


Diagram 12

- 11** Install the bolt keeper 71 under the left door 5L when installing the bolt 74. (Please make sure that 74 fits into 71, and then drill the holes with a 3.0MM drill bit and then fix the screws.)

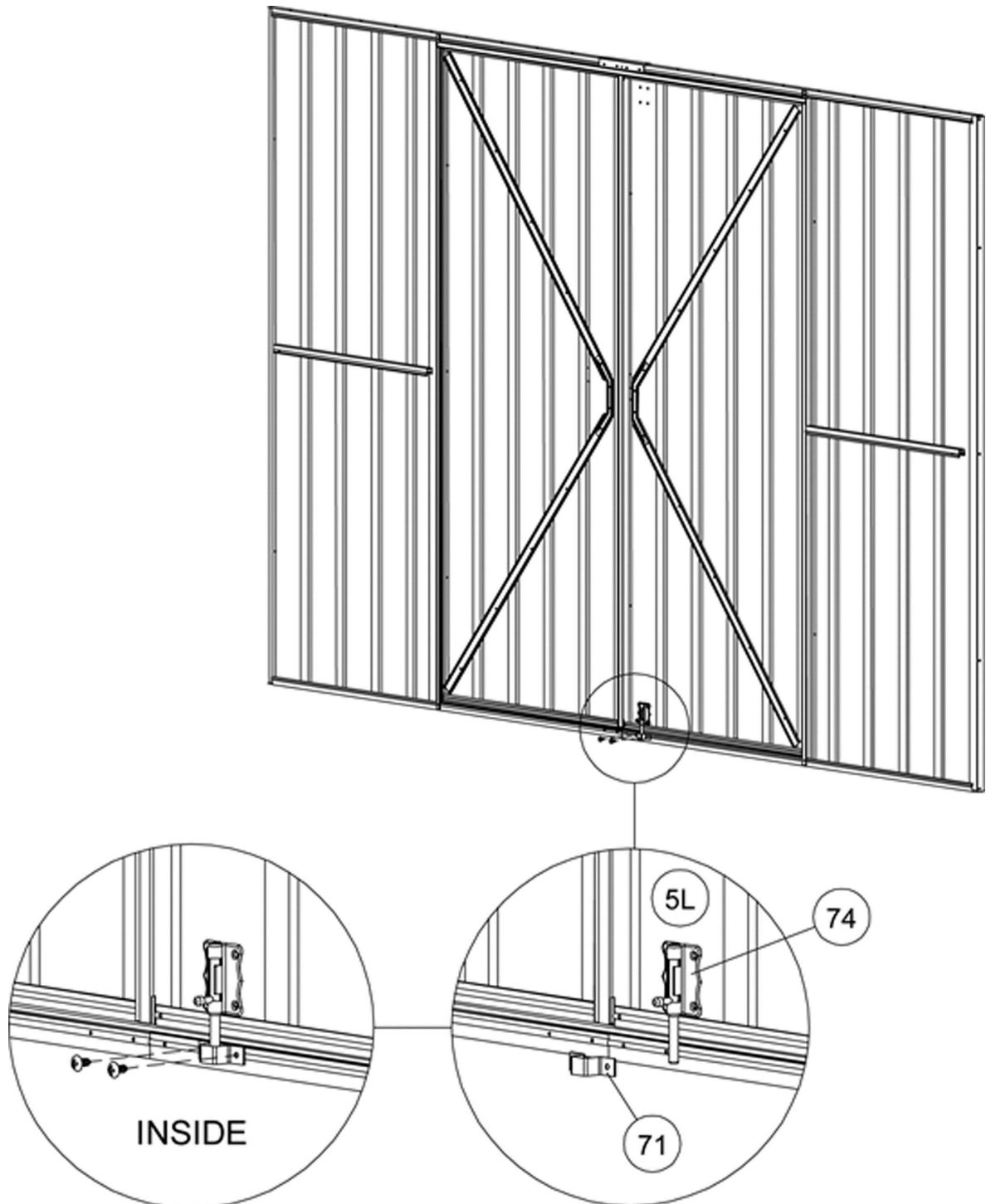


Diagram 13

You have now completed the assembly of this module

What's next?

You will have some screws left over. Don't worry you haven't forgotten anything; we give you more than you need.

Put your 3000mm x 1900mm wall with double hinged door to one side in a safe place where it won't get stepped on, blown over or otherwise damaged and move onto the next wall. If this was the fourth wall you have constructed the next job is the roof.