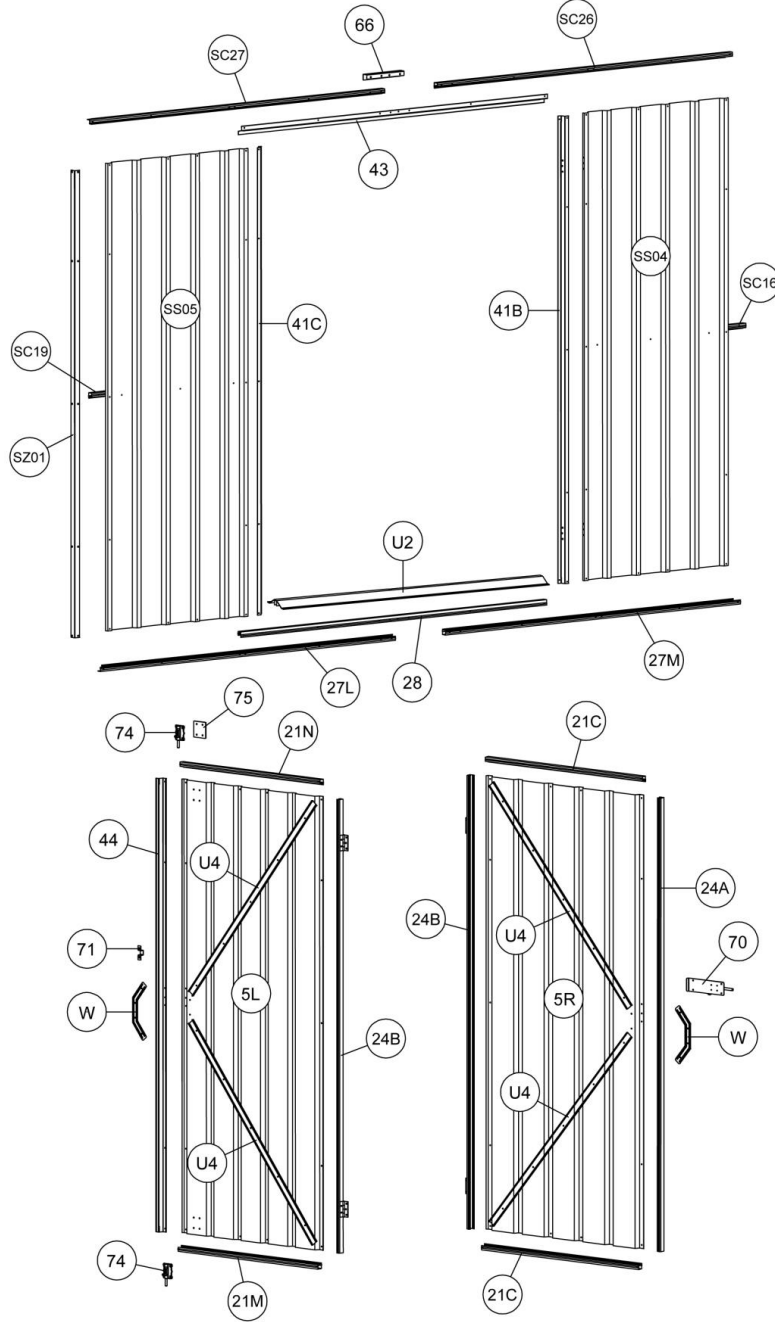


Assembly Instructions

Module 30H2 - 3000 Wall Double Hinged Doors



Watch the Video



Before you start, watch this short video to familiarise yourself with the build process.

Wall 3000 with Double Hinged Doors

This module will enable you to construct a 3000mm x 1900mm wall with double hinged doors that will be used in your new garden shed.

Before you begin the build

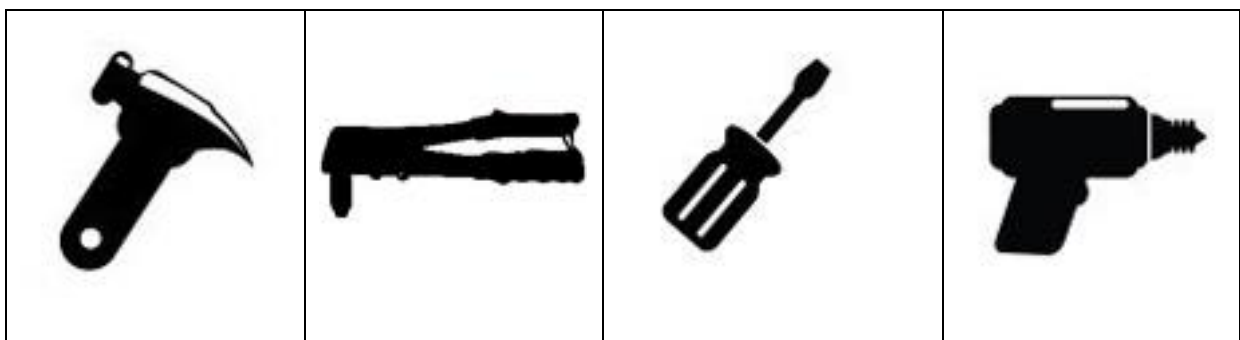
Just like our sheds, our manuals are designed in modules to make assembly easier and simpler. Your shed will have come in multiple boxes that are easy to handle. Each carton contains one shed module together with instructions on how to assemble that module. You begin by assembling your wall modules, then your roof modules and finally you put those modules together to erect your shed.

You will see QR codes throughout the instructions. These QR codes link to short 20-30 second videos that may help clarify a particular step of the build process. The videos are best viewed on a tablet or larger smart phone in landscape full screen mode. We use Vimeo to host our videos rather than YouTube so you can view them uninterrupted by ads. Sometimes you may be prompted to download the Vimeo App, this should not be necessary.

The key to a hassle-free shed assembly is to take your time and have your work area and shed base well prepared prior to starting the build. We suggest that before you go any further, if you haven't already, locate your roof or joiner module carton and find the instructions. These instructions contain details on site preparation, your first job, and module assembly and anchoring your shed to the base. **So, before you go any further, read the roof or joiner module instructions, it will save you time and frustration.**



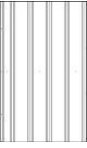
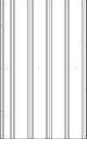





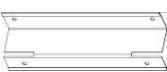
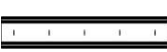
If you have already read about site preparation – onward.











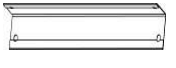
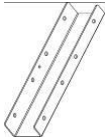
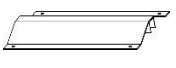
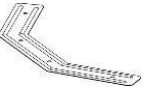
Tools you will need




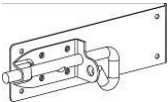
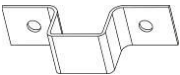
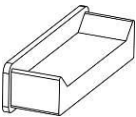


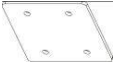

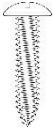
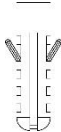
Check the contents

Before you start to construct this wall, you will need to check off all the contents.

Picture	Description	Component	Location	Part No.	QTY	Check
	Door	Sheet 1845x770	Door	5R	1	
	Door	Sheet 1845x770	Door	5L	1	
	Sheet	Sheet 1900x717	Wall	SS04	1	
	Sheet	Sheet 1900x717	Wall	SS05	1	
	Channel	Channel 1843	Door	24A	1	
	Channel	Channel 1843	Door	24B	2	
	Channel	Channel 768	Door	21C	2	
	Channel	Channel 764	Door	21M	1	
	Channel	Channel 764	Door	21N	1	
	Jamb	Jamb 1843	Wall	44	1	
	Brace	Brace 1075	Door	U4	4	

Picture	Description	Component	Location	Part No.	QTY	Check
	Channel	Channel 1494	Wall	27L	1	
	Channel	Channel 1494	Wall	27M	1	
	Channel	Channel 1494	Wall	SC26	1	
	Channel	Channel 1494	Wall	SC27	1	
	Channel	Channel 1549	Wall	28	1	
	Channel	Channel 645	Wall	SC16	1	
	Channel	Channel 645	Wall	SC19	1	
	Jamb	Jamb 1898	Wall	41B	1	
	Jamb	Jamb 1898	Wall	41C	1	
	Jamb	Jamb 1549	Wall	43	1	
	Jamb	Jamb 1898	Wall	SZ01	1	
	Channel connector	Channel connector 188mm	Wall	66	1	
	Door Ramp	Door Ramp		U2	1	
	Brace	Brace	Door	w	2	

Fittings

Picture	Component	QTY	Picture	Component	QTY
	Self-tapping screws(10mm)	72		Pad bolt (70)	1
	Keeper (71)	1		White plastic stopple	8
	3*10mm Rivet	72		4*10mm Rivet	20
	65x65mm barrel bolt plate (75)	1		60mm barrel bolt (74)	2
	10#*1 1/2" Self-tapping screw	8		Plug	8

If you are missing anything, call The Garden Shed Hotline 1300 781 230

Start the Build

Here is what you are building. It is a 3000mm wide x 1900mm high wall with double hinged doors. This type of wall is typically a side or front wall for your shed.

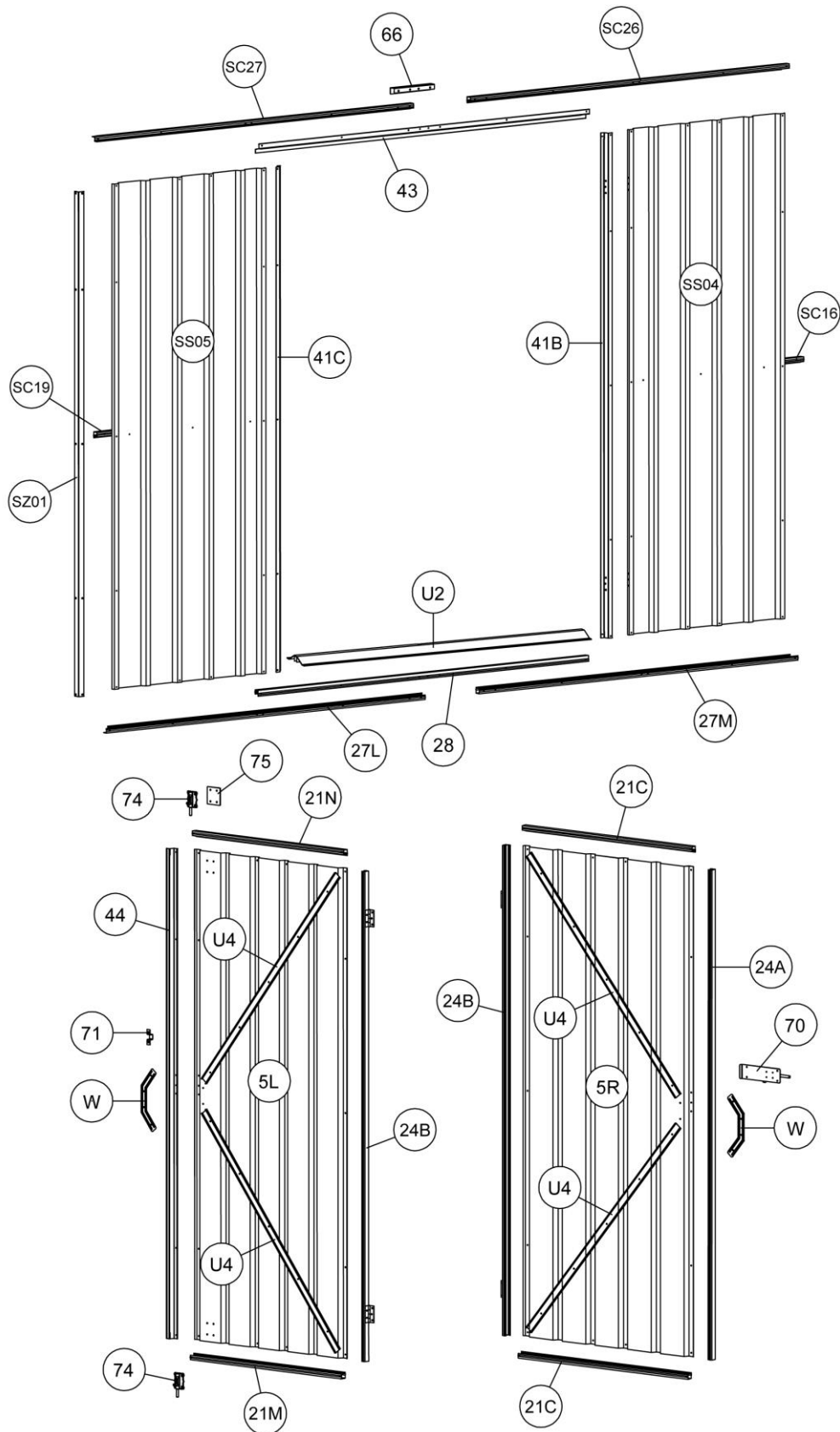


Diagram 1

Door Assembly

Place the 5R sheet on your workbench.

Orientation - The diagonal holes will slope to an apex to your left and the holes will be in the valleys of the sheet.

Watch the Video



1. Door channels have a low side and a high side like a letter J. On doors, the high side of the channel always faces the outside of the door.

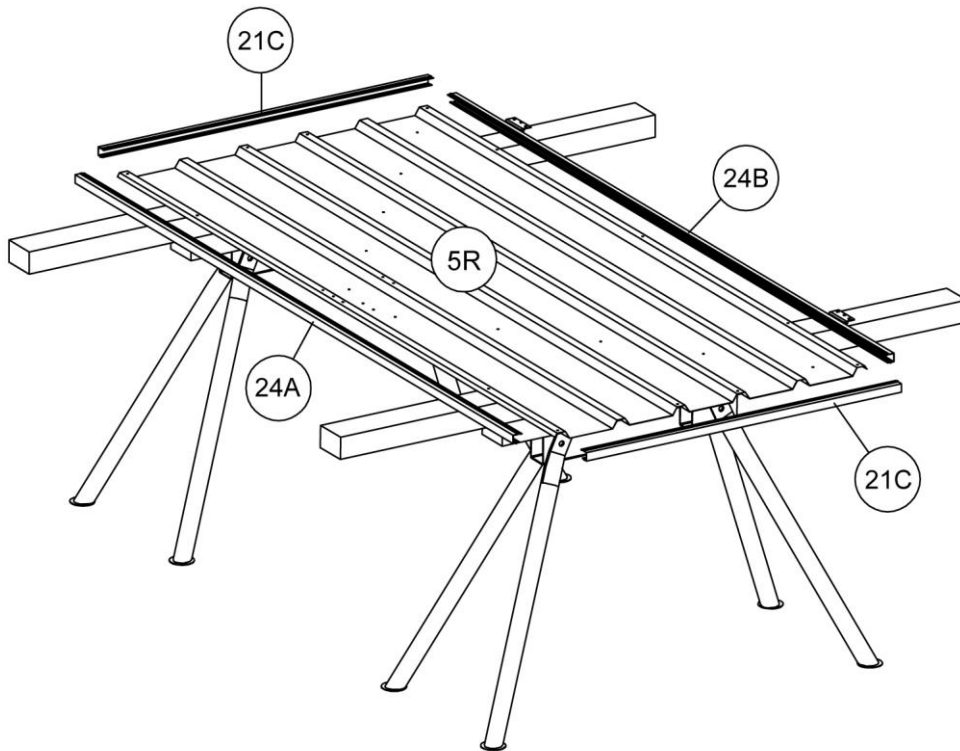


Diagram 2A

Watch the Video



2. Slide or tap the 21C channels to the top and bottom of the 5R sheet.

Door Assembly

- Slide or tap the 24A and 24B channels to the left and right of the 5R sheet.

Watch the Video

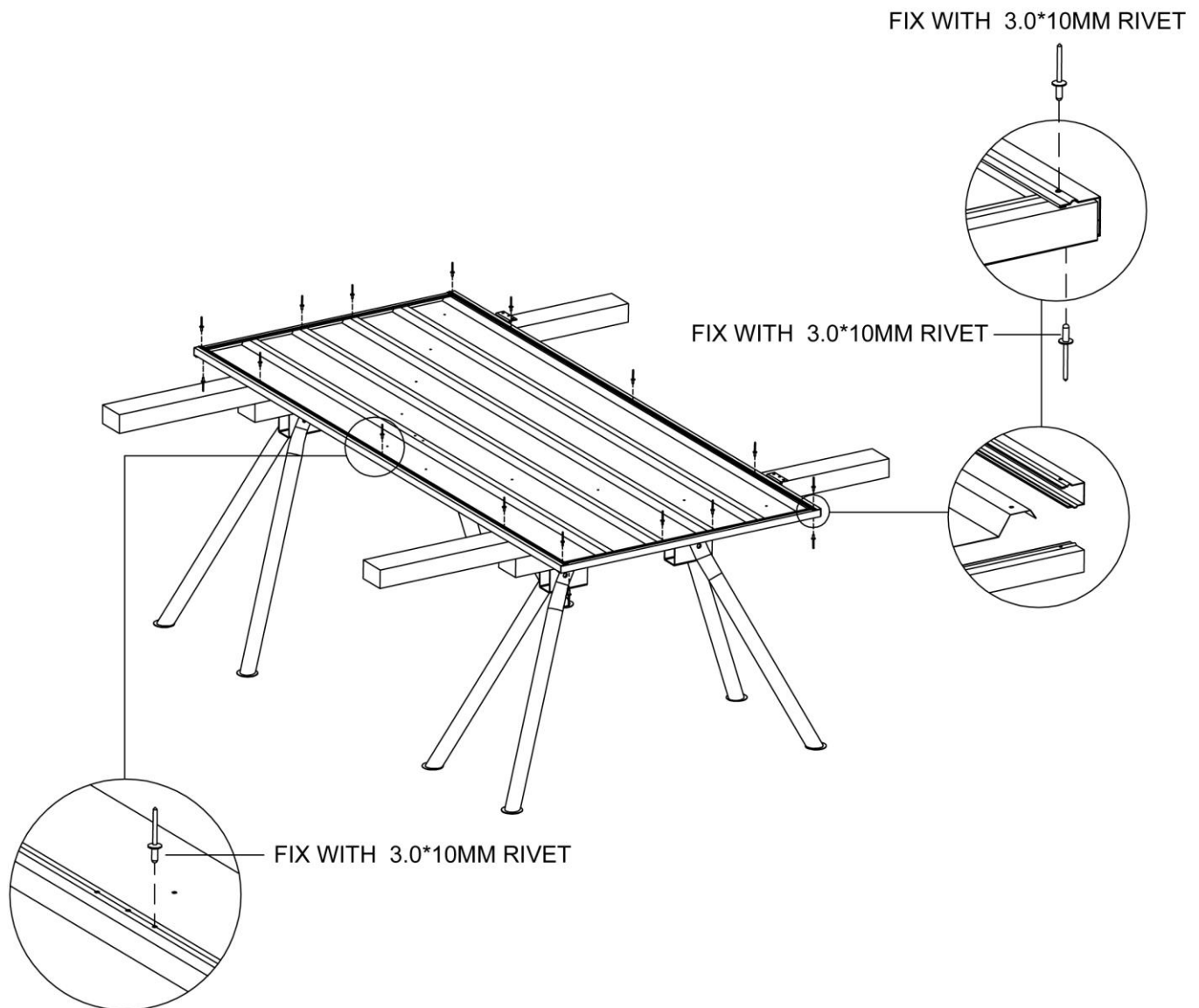


Diagram 2B

- Fix the channels to the 5R sheet using the 3.0 * 10mm rivets supplied

Watch the Video



Door Assembly

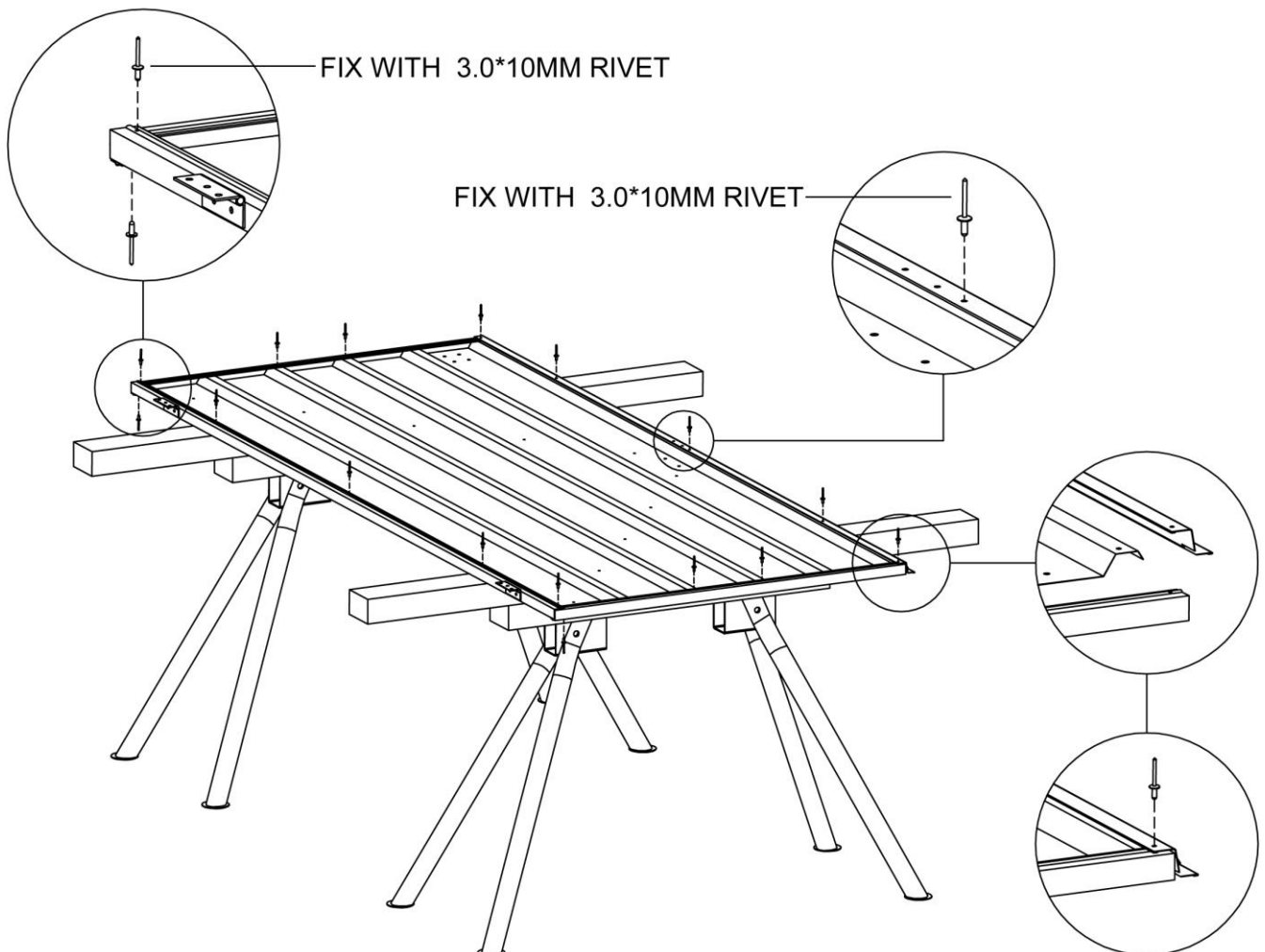
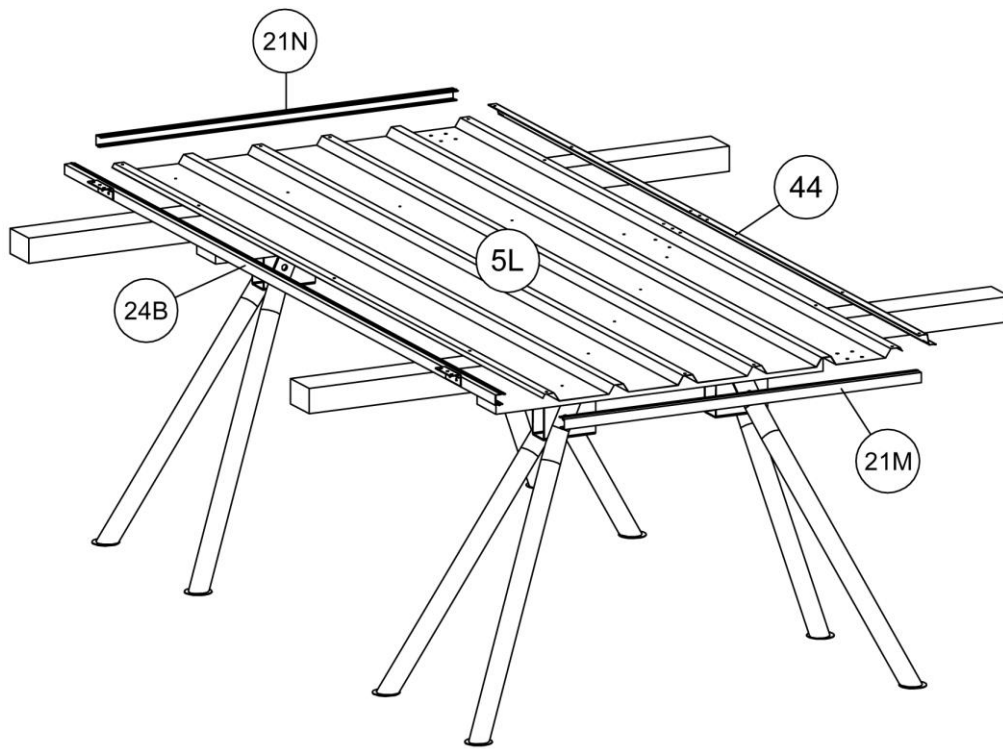


Diagram 3

Door Assembly

5. Repeat the process with the second door using the sheets and channels indicated in diagram 3.

Notes

Door Assembly

Watch the Video

6. Turn the door over to the back. Attach W and U4 door bracing. Turn the door to the front and using 3.0*10mm rivets secure the bracing as per diagrams 4 and 5. Do this for both doors.

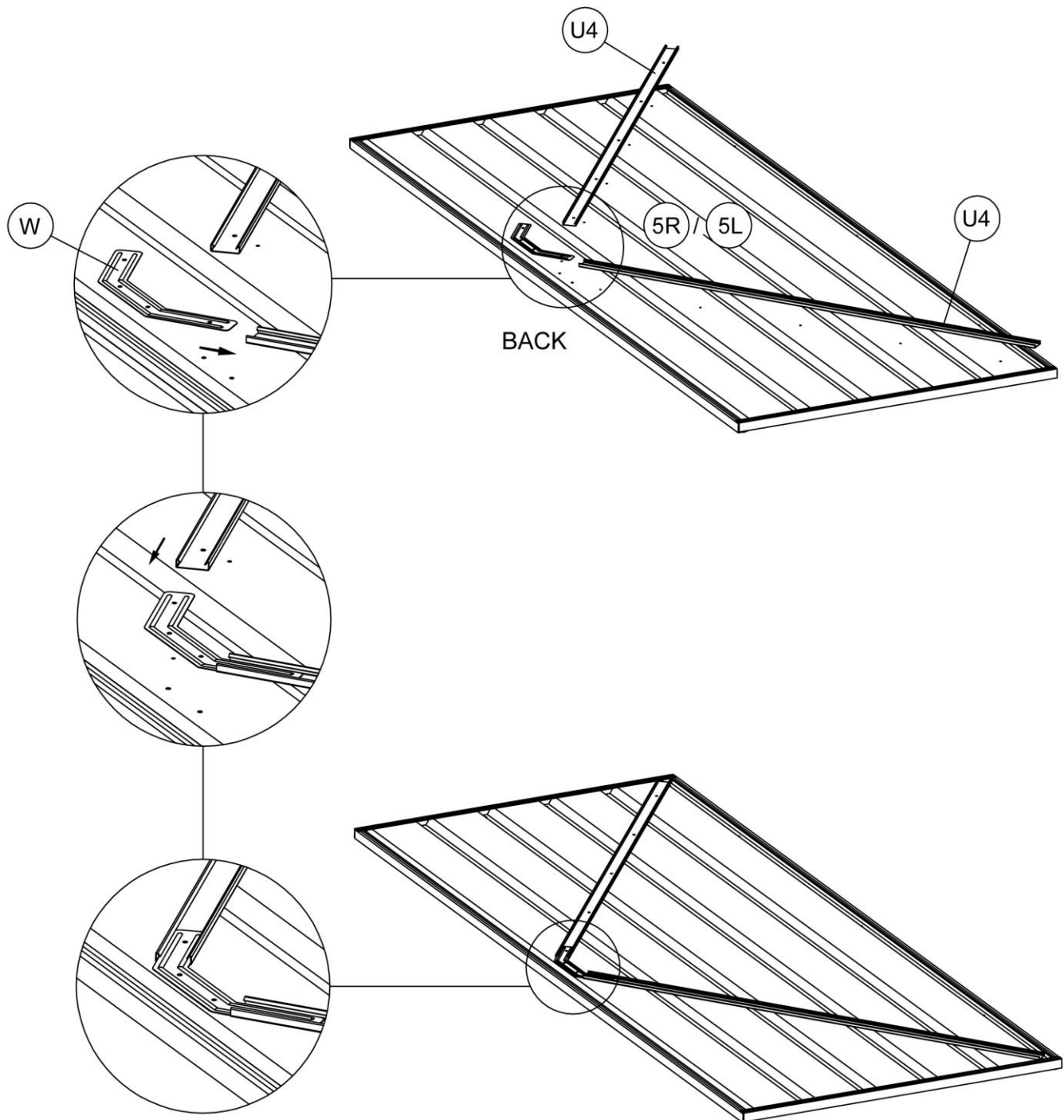


Diagram 4

Door Assembly

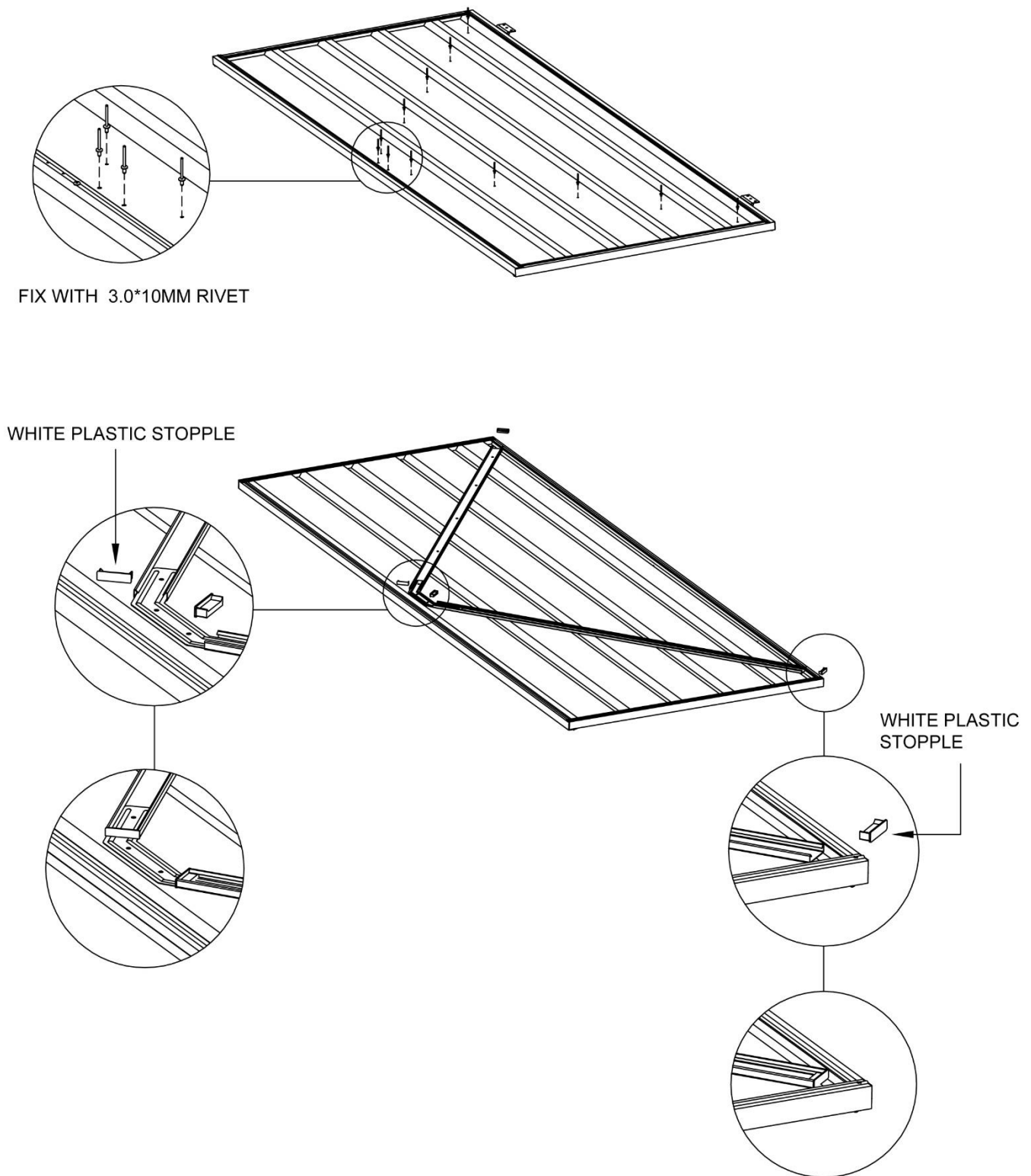


Diagram 5

Watch the Video

7. Turn the door over to the back. Fit the white plastic stopples to ensure no sharp edges as per diagram 5



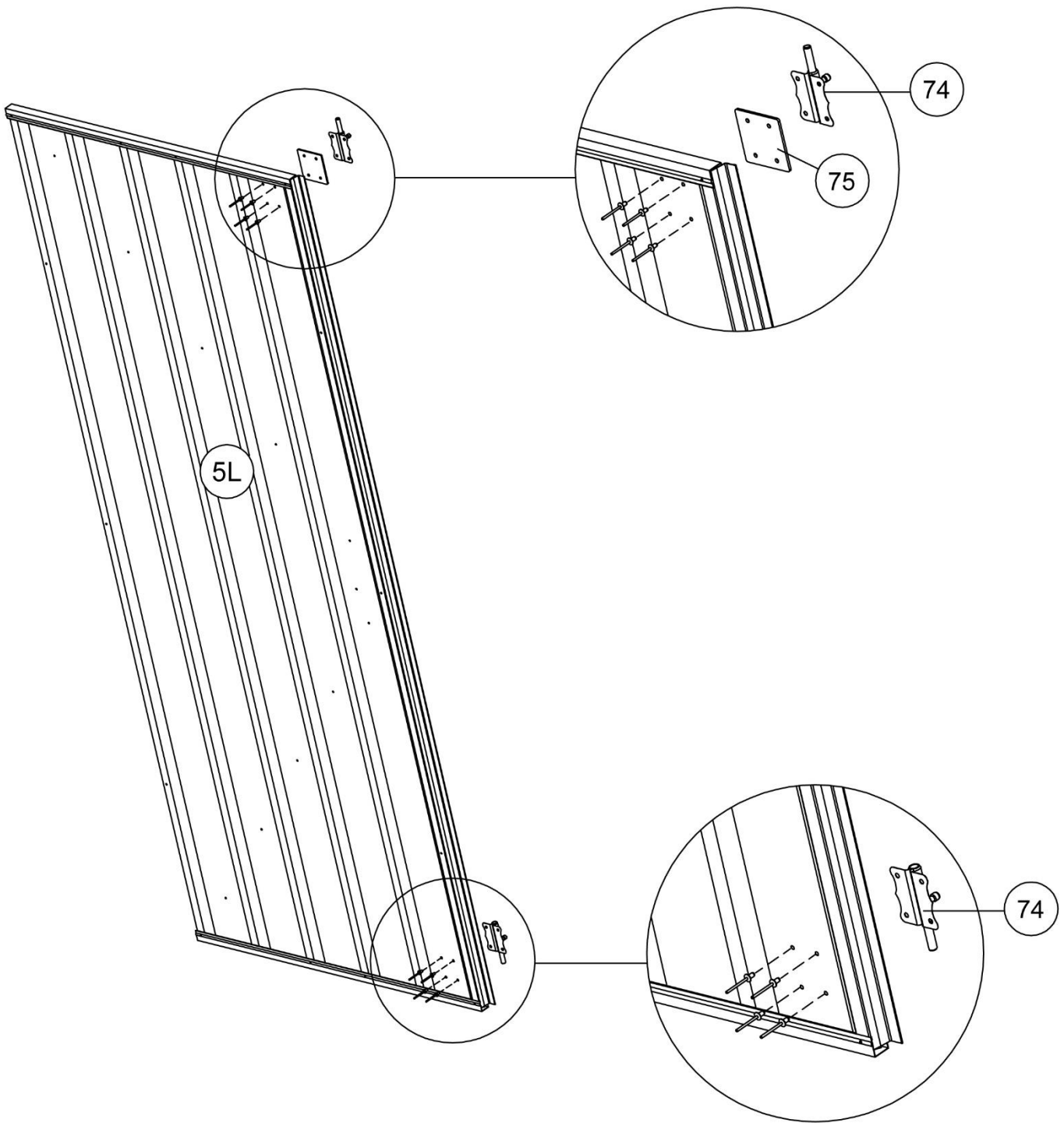


Diagram 6

- Using the 5L door, fit the top barrel bolt spacer plate 75 and barrel bolt 74 to the top as per diagram 6. Now fit the other barrel bolt 74 to the bottom of the door. Note there is no need for a spacer plate at the bottom.

Watch the Video



Wall Assembly

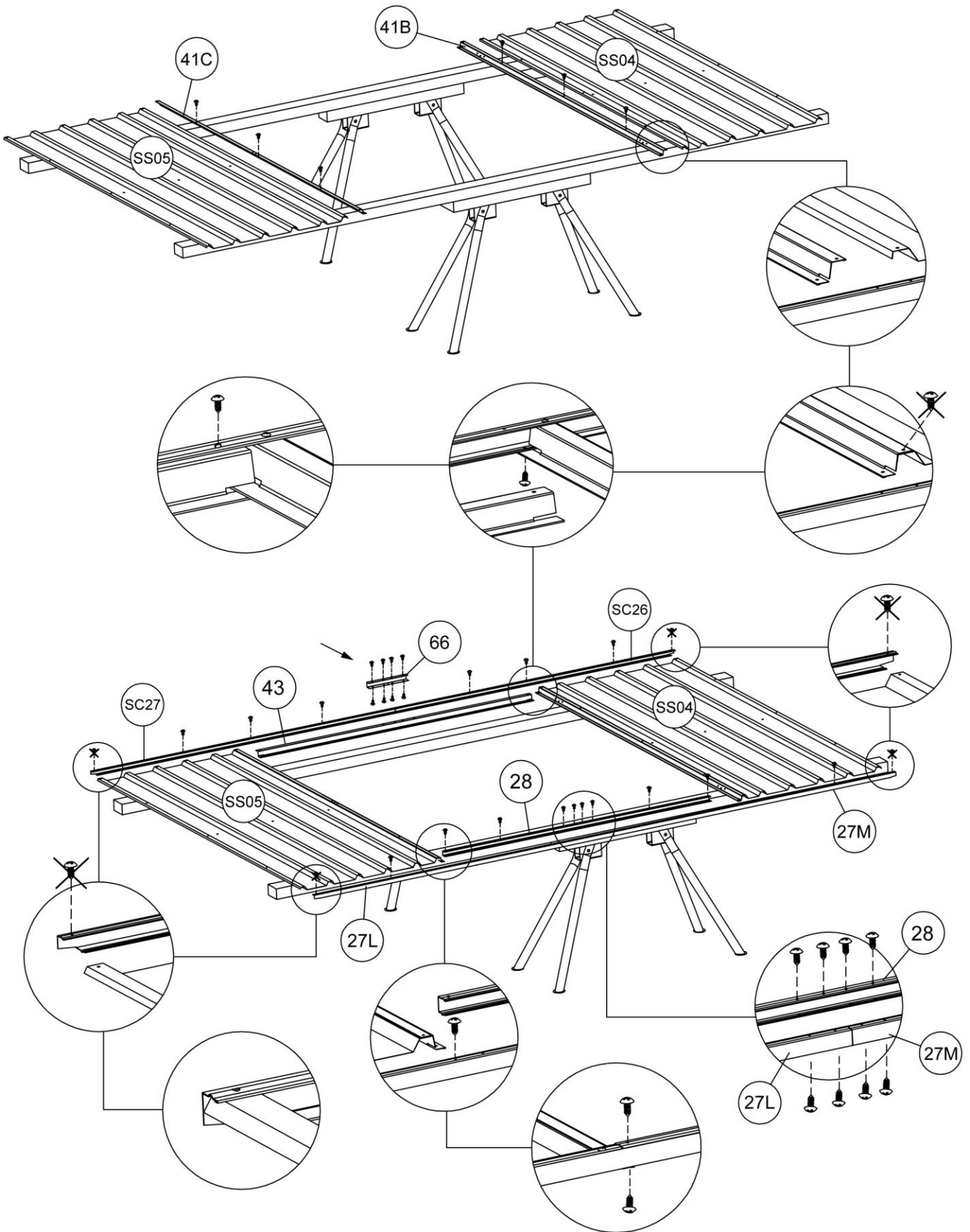


Diagram 7

Wall Assembly

Place the SS05 & SS04 sheets on your workbench. Note that the holes on the edges of these sheets look a bit like “Swiss cheese” **this is not a defect** it is intentional. These holes will be covered in the completed wall.

9. Now fit 41C and 41B jamb as per diagram 7 using 10mm self-tapping screws. Do not insert the screws marked with the “X” at this point.

Watch the Video



10. Now fit 27L and 27M bottom channels to the SS05/4 sheets and door jambs. Insert the 28 channel with the “U” facing down as per diagram 7. One leg of channel 28 goes on the outside of 27L/27M and the other goes on the inside of 27L/27M. Secure front and back with 10mm self-tapping screws.

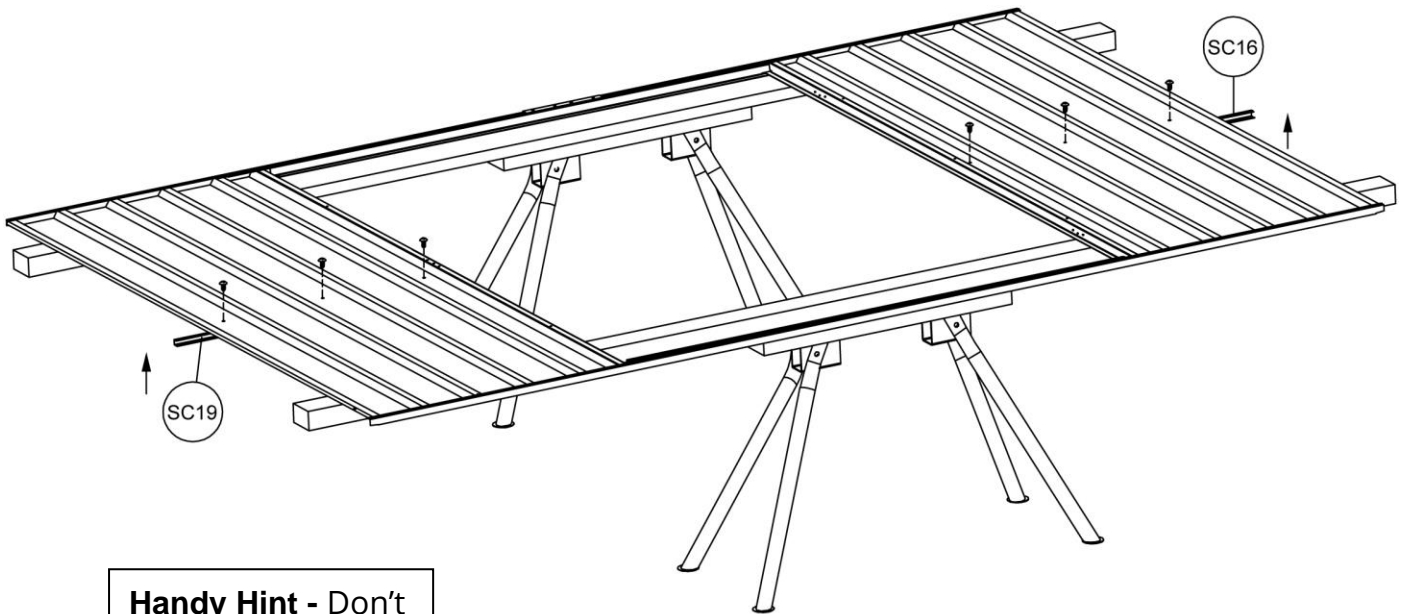
Watch the Video



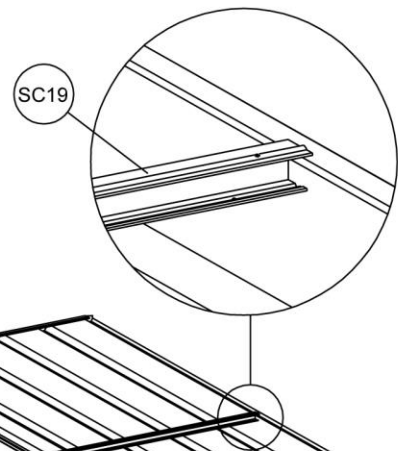
11. Now fit SC27 and SC26 top channels and 43 jamb. Secure using the 66 connector as per diagram 7.

Watch the Video





Handy Hint - Don't worry if the edges of sheets SS04/05 look like Swiss cheese. This is intentional. It will be covered in the completed job.



BACK

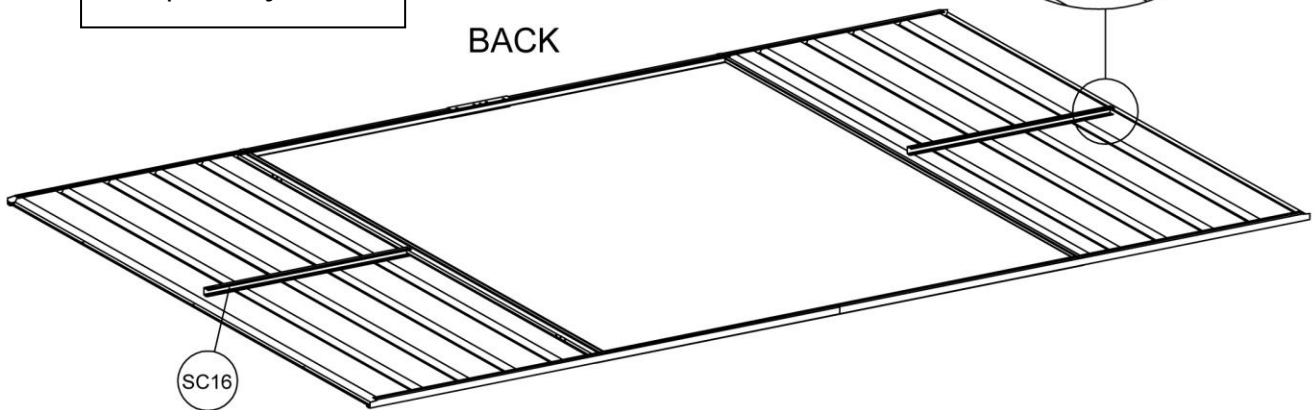


Diagram 8

12. Now fit SC16 and SC19 mid wall channel using self-tapping screws 10mm. The "U" of the mid wall channel should face down towards the bottom channels 27L and 27M as per diagram 8. There will be a gap at the end of these channels. This is where the right-angle joiner will go when you are erecting the walls of your shed.

Watch the Video



Fitting the Doors -

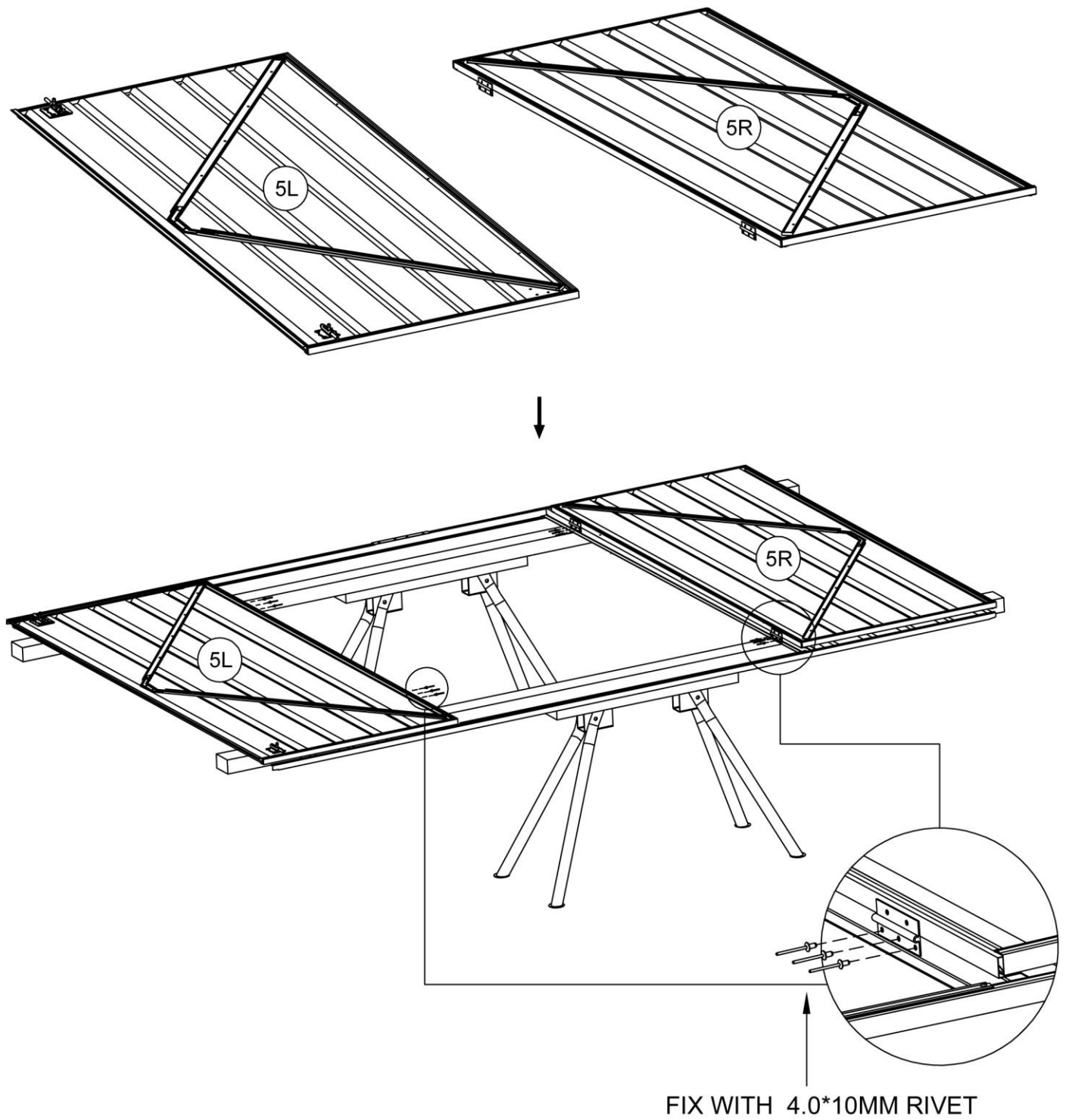


Diagram 9

13. Now fit 5L and 5R doors to the door frame using 4.0* 10mm rivets as per diagram 9.

Attaching the Pad Bolt -

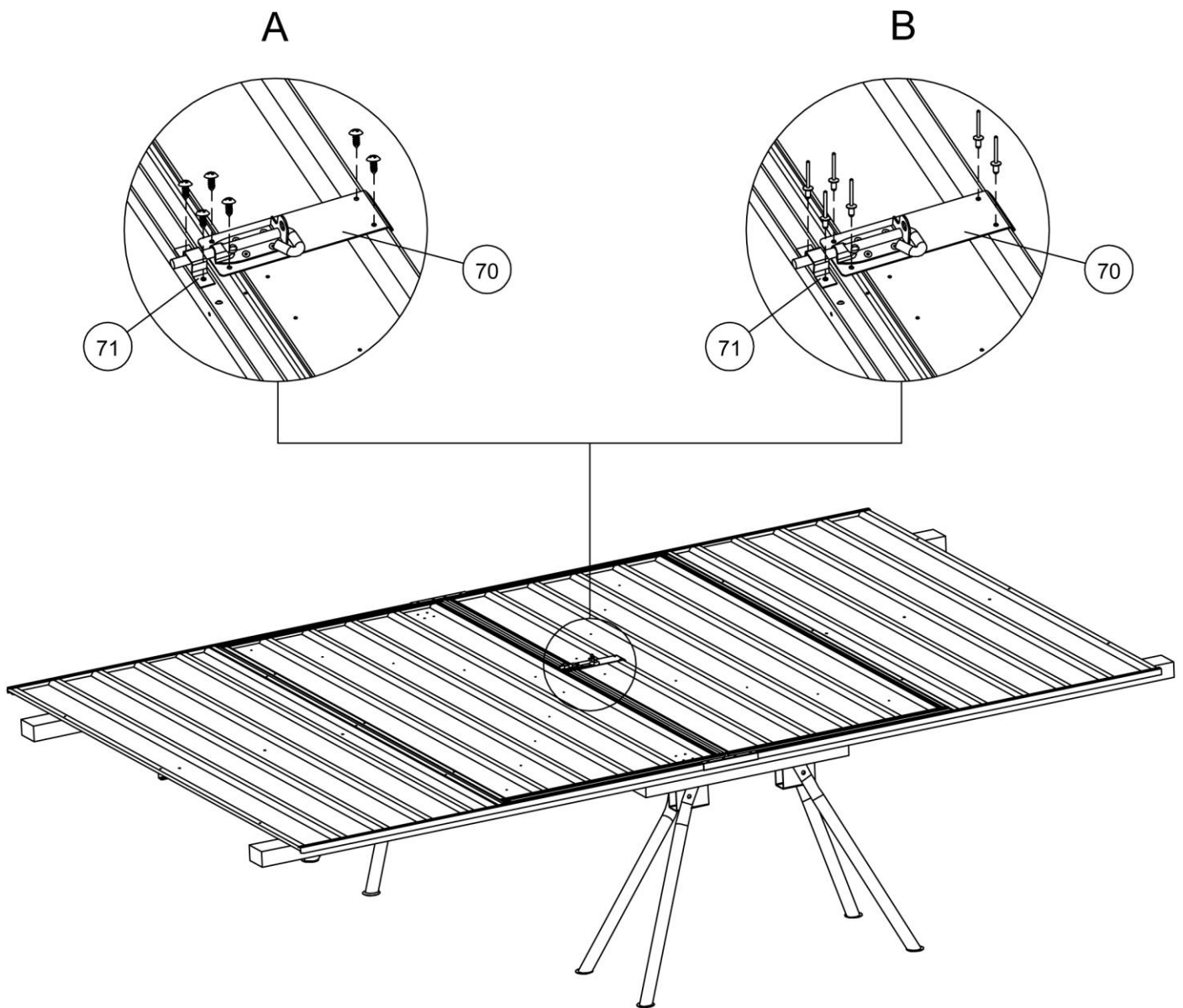


Diagram 10

14. Attach 70 pad bolt and 71 keeper as per diagram 10. You can use rivets or 16mm self-tapping screws. For security purposes, we recommend that you use rivets.

Wall Joining Channels

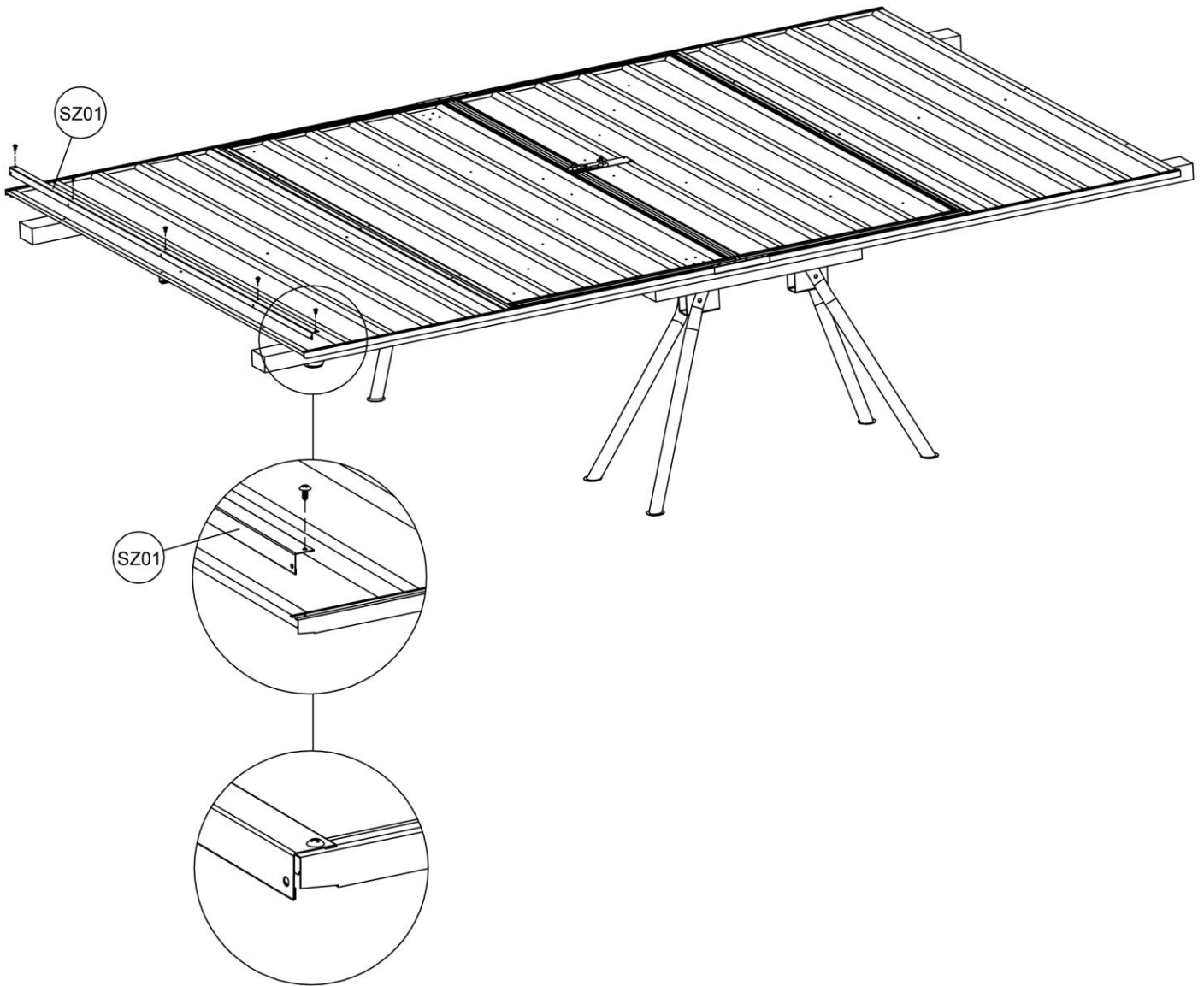


Diagram 11

15. Attach the SZ01 wall joining channel to the left side of the wall using 10mm self-tapping screws as per diagram 11.

Attaching the Channel Protector -

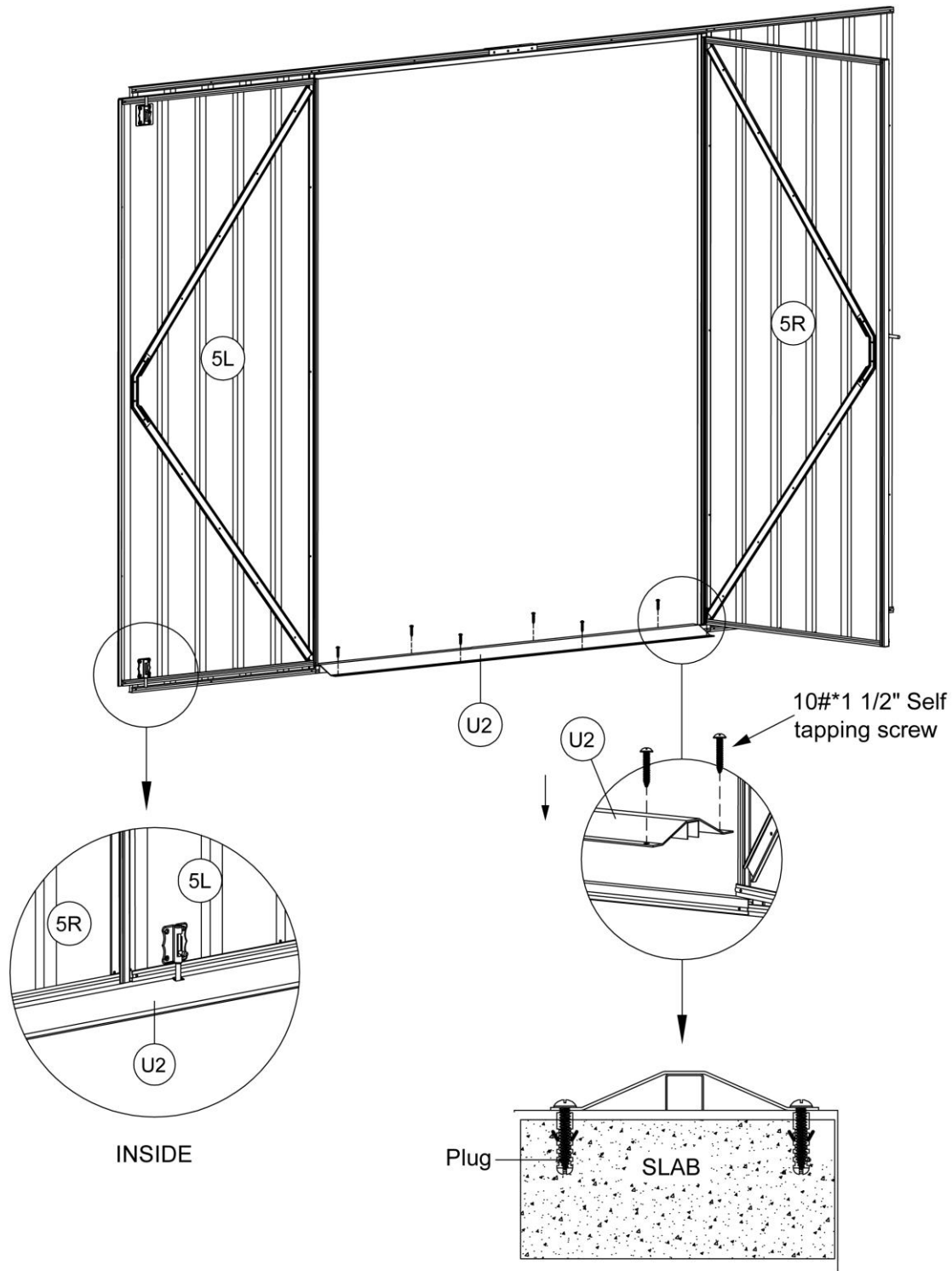


Diagram 12

16. The U2 channel protector will be installed at the last stage of your build once you have your shed in place and are securing it to the ground. Using the U2 as a template mark the holes. Drill the holes using an 8mm masonry drill bit. Insert the masonry plugs. Screw the U2 into place securely. You will not be able to use the U2 if you have a rebated slab, or your base is not level or is uneven.

You have now completed the assembly of this module

What's next?

You will have some screws left over. Don't worry you haven't forgotten anything; we give you more than you need.

Put your 3000mm x 1900mm wall with double hinged doors to one side in a safe place where it won't get stepped on, blown over or otherwise damaged and move onto the next wall. If this was the fourth wall you have constructed the next job is the roof.

Need to change something?

We design our sheds so there is some flexibility in door and roof placement.

If this is an end door module for your shed, you can install this wall in the end you choose.

Change the position and door openings to suit your space when you build.

Watch the Video

