

## Wall 3000 with no door

This module will enable you to construct a 3000mm x 1900mm wall with no door that will be used in your new garden shed.

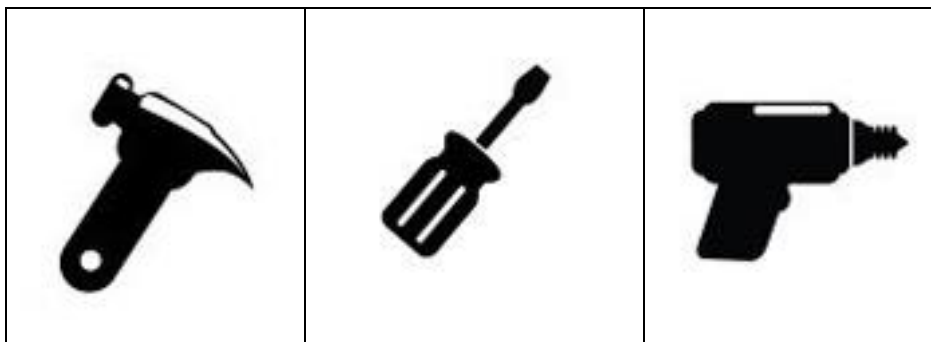
### Before you begin the build

Just like our sheds, our manuals are designed in modules to make assembly easier and simpler. Your shed will have come in 5 or 6 boxes that are easy to handle. Each carton contains one shed module together with instructions on how to assemble that module. You begin by assembling your wall modules, then your roof modules and finally you put those modules together to erect your shed.

The key to a hassle free shed assembly is to take your time and have your work area and shed base well prepared prior to starting the build. We suggest that before you go any further, if you haven't already, locate your roof module carton and find the instructions. The roof module instructions contain details on site preparation, your first job, and module assembly and anchoring your shed to the base. **So before you go any further, read the roof module instructions, it will save you time and frustration.**

If you have already read about site preparation – onward.




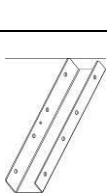
### *Tools you will need.*




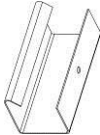
## Check the contents

Before you start to construct this wall you will need to check off all of the contents.

### Parts checklist for a 3000 wall with no door

Picture	Description	Component	Location	Part No.	QTY	Check
	Sheet	Sheet 1900x770	Wall	9M	4	
	Channel	Channel 1494	Wall	27C	1	
	Channel	Channel 1494	Wall	27D	1	
	Channel	Channel 1494	Wall	SC10	1	
	Channel	Channel 1494	Wall	SC11	1	
	Channel	Channel 1440	Wall	SC12	1	
	Channel	Channel 1440	Wall	SC13	1	
	Jamb	Jamb 1898	Wall	SZ01	1	
	Channel connector	Channel connector 188mm	Wall	66	2	

**Fittings Pack**

Picture	Component	QTY	Picture	Component	QTY
	Self tapping screws(10mm)	56		Mid wall channel connector	1

**If you are missing anything call The Garden Shed Hotline 1300 781 230**

**Handy Hint** – Never try and assemble a garden shed on a windy day. You will need to store your completed walls in a safe place prior to final assembly. They can be easily damaged if the wind catches them.

## Start the Build

Here is what you are building. It is an 3000mm wide x 1900mm high wall without any door. This type of wall is typically a side or back wall for your shed.

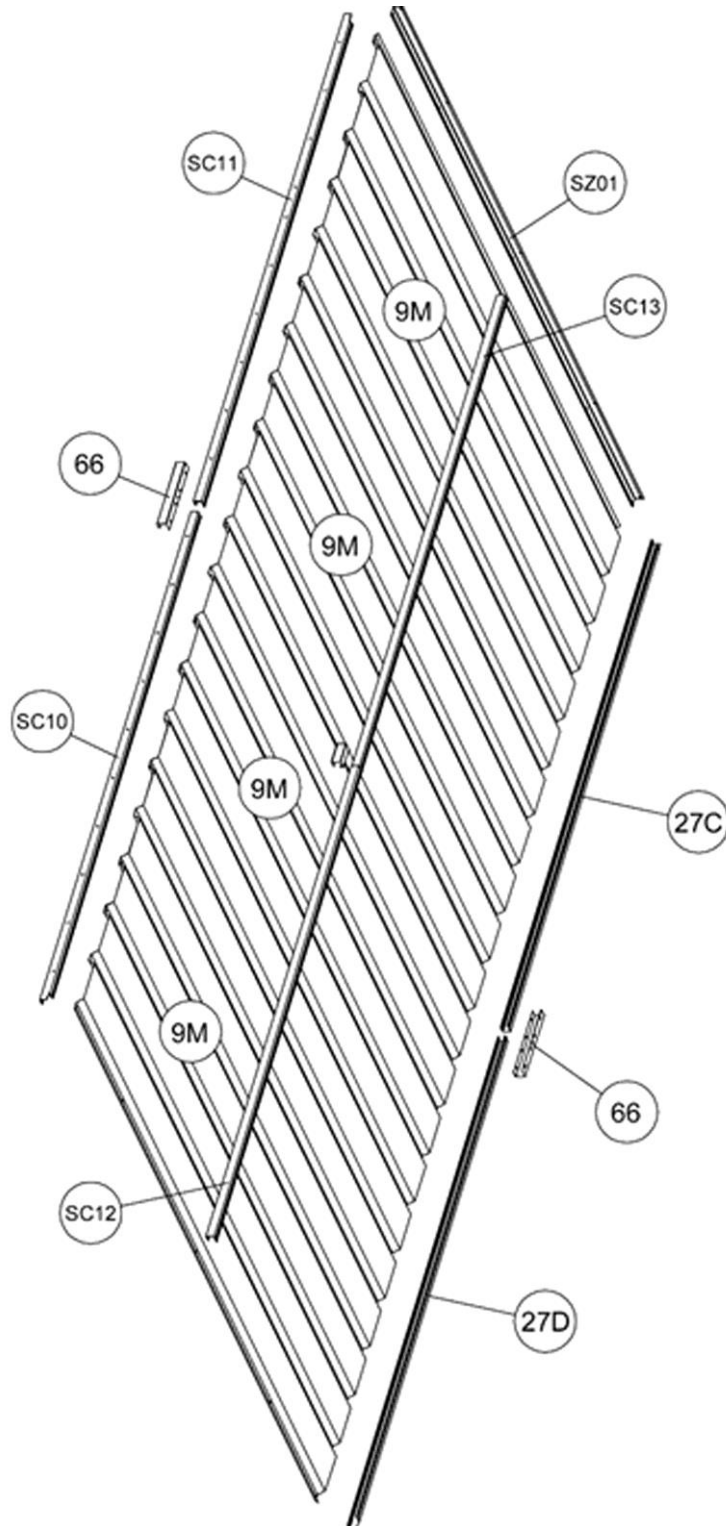


Diagram 1 – View from the inside

### Assembly Instructions

- 1 Place 4 x 9M sheets on your work table. Fix each sheet together with 3x10mm self-tapping screws as per diagram 2.

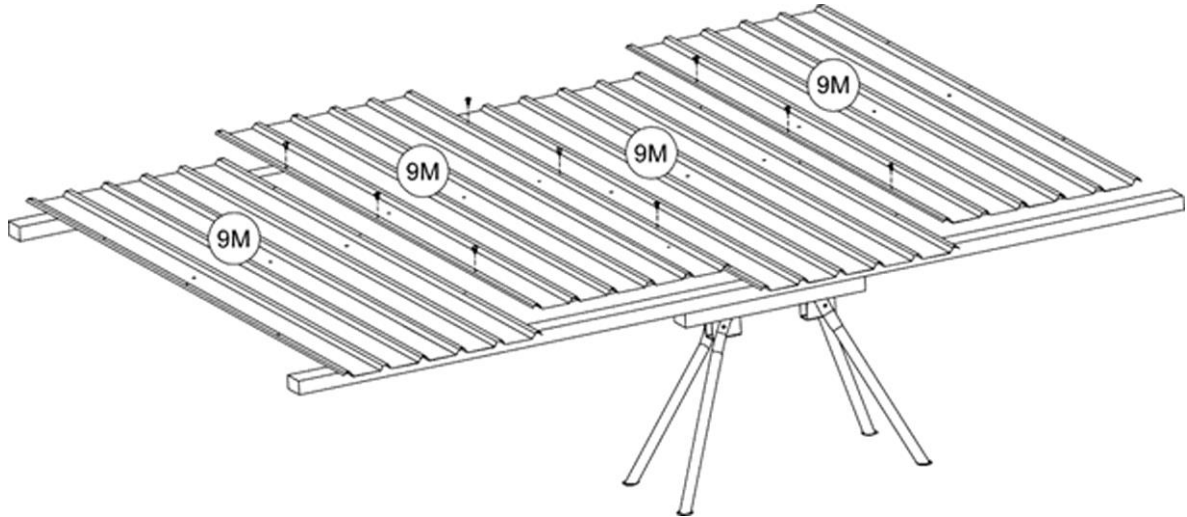
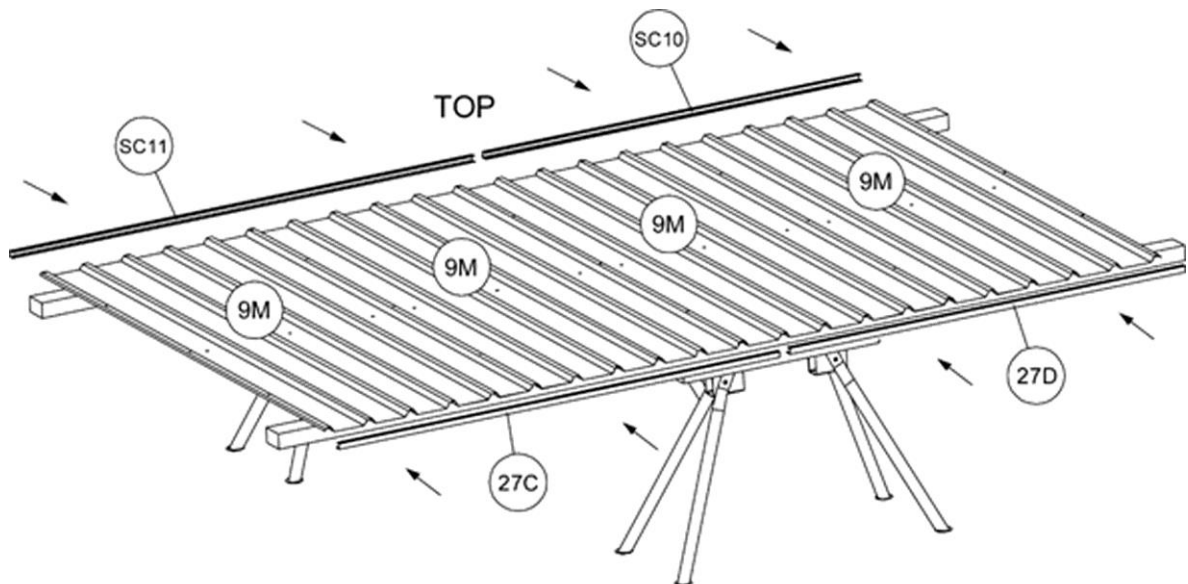


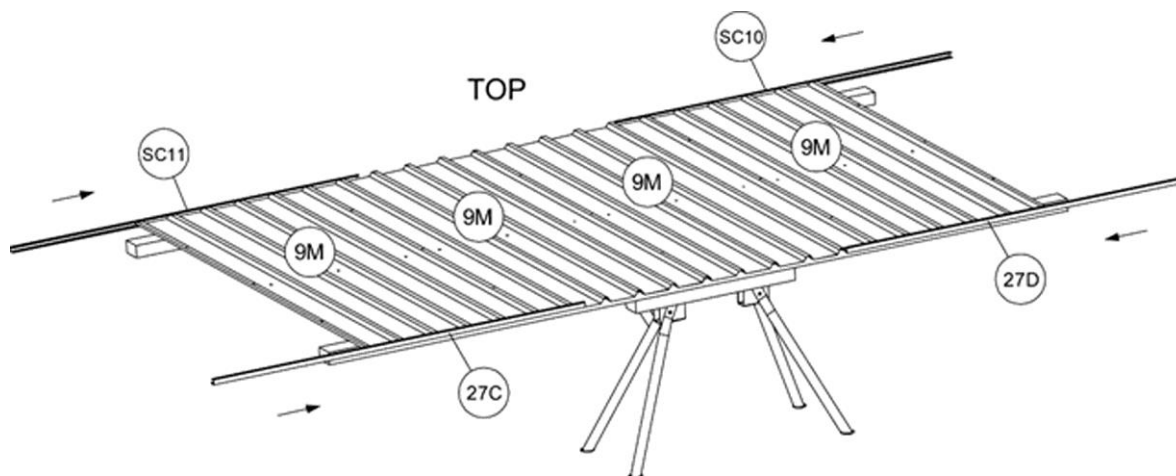
Diagram 2

- 2 Now fit 27D and 27C bottom channels as per diagrams 3 & 4 using 10mm self-tapping screws. The narrow lip of the channel is always facing the outside of the shed. Now fit SC11 and SC10 top channels. You can either tap or slide the channels on.



A

Diagram 3 – Tap on channels

**B**

*Diagram 4 – Slide on channels*

- 3 Fix the 66 connectors top and bottom as per diagram 5. Then fit SC12 and SC13 mid wall channels and join in the middle with mid wall channel connector. The “U” of the midwall channels face down towards the bottom channels 27C and 27D. Do not insert the screws marked with the cross now, you will insert these at a later stage.

**Handy Hint** – The narrow lip of the channels always faces towards the outside of the shed. This ensures that rainwater drains away from and not into your new shed.

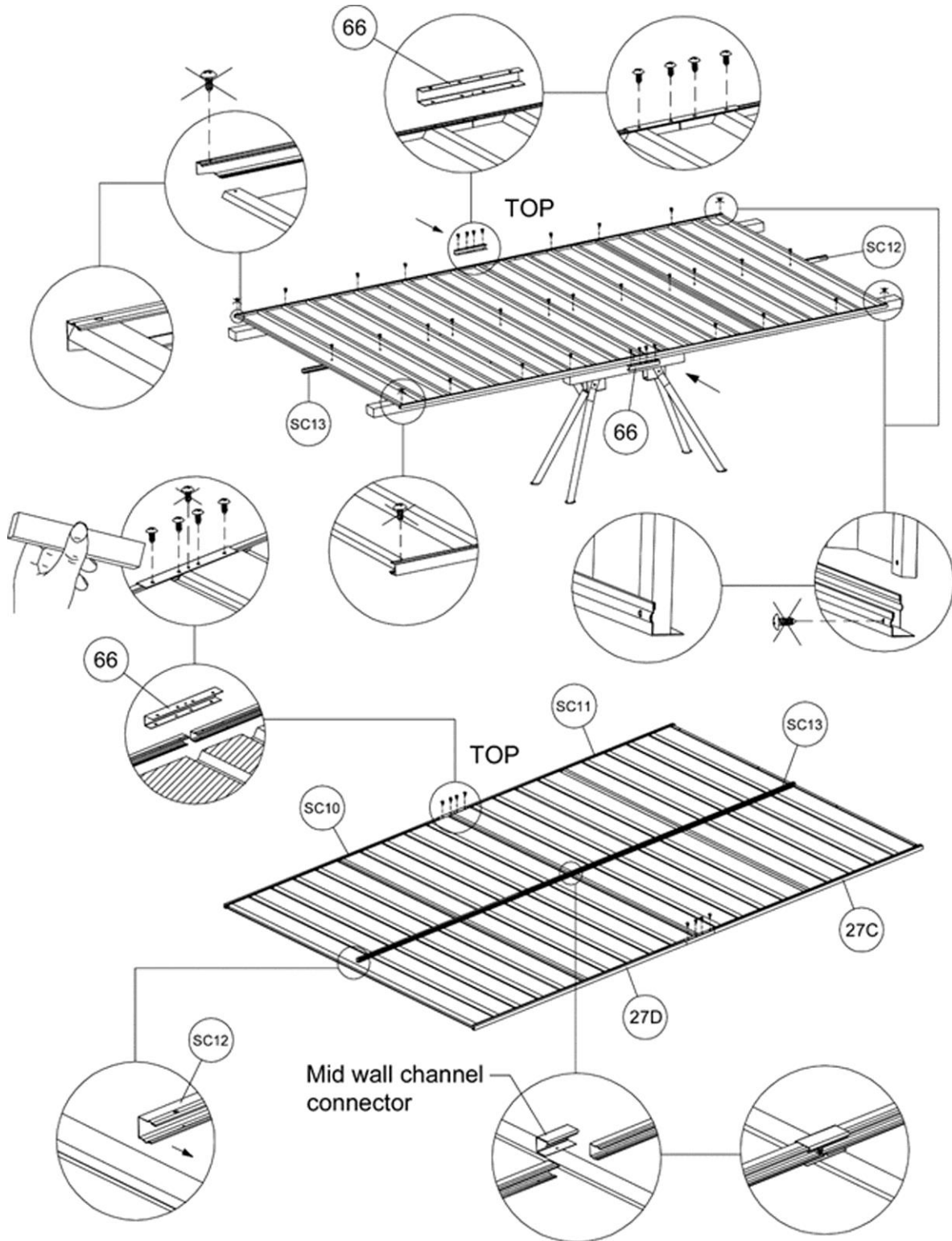


Diagram 5

- 4 Take the corner angle SZ01 and attach it to the left hand edge of your wall. This will be used to join other walls later.

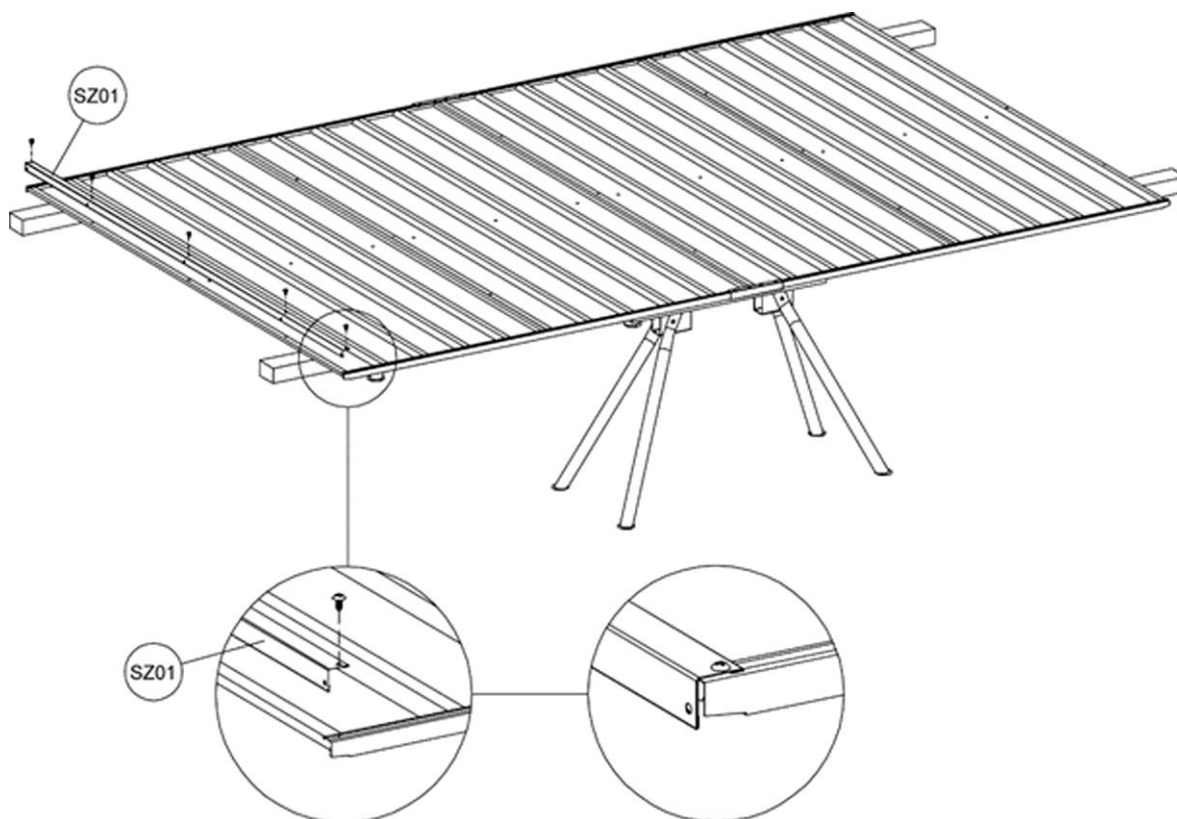


Diagram 6

**You have now completed the assembly of this module**

### What's next?

You will have some screws left over. Don't worry you haven't forgotten anything; we give you more than you need.

Put your 3000mm x 1900mm wall to one side in a safe place where it won't get stepped on, blown over or otherwise damaged and move onto the next wall. If this was the fourth wall you have constructed the next job is the roof.