

Gable roof to suit 2.3 x 2.3 or 2.3 x 3.0 sheds

This module will enable you to construct a gable roof that suits either a 2.3 x 2.3 or a 2.3 x 3.0 garden shed.

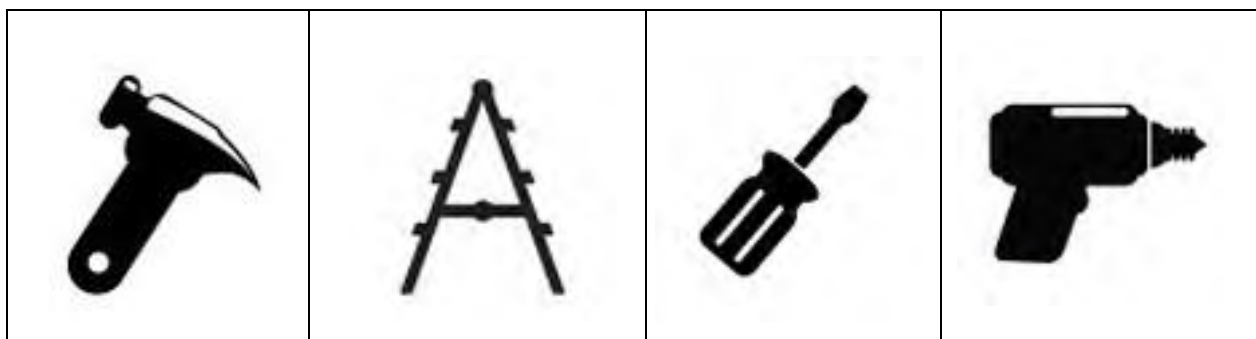
It also includes instructions and tips on getting ready for the build and site preparation. Take some time to read through these instructions before you commence your project. You will save time and frustration and make building your new shed an enjoyable experience.

Using the instruction manuals

Just like our sheds, our manuals are designed in modules to make assembly quicker and easier. Your shed will have come in 5 or 6 boxes that are easy to handle. Each carton contains one shed module together with instructions on how to assemble that module. You begin by assembling your wall modules, then your roof modules and finally you put those modules together to erect your shed.

The key to a hassle free shed assembly is to take your time and have your work area and shed base well prepared prior to starting the build. This is the first manual to read and it will also be the last. The roof module instructions contain details on site preparation, your first job, and module assembly and anchoring your shed to the base, your last job.

Tools you will need.



Plan ahead

Be sure the day you select to install your shed is dry and calm.

Do not attempt to assemble your shed on a windy day.

Be careful on wet or muddy ground.

Whenever possible, two or more people should work together to assemble your shed.

One person can position parts or panels while the other is able to handle the fasteners and the tools.

Safety first

Care must be taken when handling various pieces of your shed since some contain sharp edges. Please wear work gloves, eye protection and long sleeves when assembling or performing any maintenance on your shed. Keep children and pets away from worksite to avoid distractions and any accidents which may occur. Never concentrate your total weight on the roof of the shed. When using a step ladder make sure that it is fully open and on even ground before climbing on it. Do not attempt to assemble the shed if parts are missing because any shed left partially assembled may be seriously damaged by light winds.

Do not attempt to assemble the shed on a windy day, because the large panels can act as "sails", and be whipped about by the wind making construction difficult and unsafe.

Prepare your site

Before assembly, you will want to decide on a location for your shed. Before you begin the first steps in assembling your shed, a foundation should be constructed to be ready to use.

The best location is a level area with good drainage.

Allow enough working space for ease of moving parts into position during assembly.

Be sure there will be enough space at the entrance for all doors to open fully and enough space around the building to be able to fasten the panel screws from the outside.

If you are placing your shed close to the house or other buildings, make sure that you have taken into account any roof overhang.

Selecting your foundation material

If you decide to build your own foundation, be sure to select the appropriate materials.

There are three basic options for your foundation, either a wood floor a concrete slab or you can securely peg your shed down using heavy duty pegs.

Concrete Slabs

The most common shed foundation is a concrete slab. Here are the recommended slab sizes for these sheds.

Shed Size (mt)	Slab Size (mm)	Amount (mt ³)*
2.3 x 2.3	2350 x 2350 x 100	0.78
2.3 x 3.0	2350 x 3095 x 100	0.61

These sizes give you a 50mm edge around your shed. We suggest that when you are building your slab, bevel this edge away from your shed so that water does not pool at the base.

You do not need to use reinforcing steel in garden shed slabs and the concrete grade needs to be N25.

* Amount includes a 10% allowance for wastage.

Onward!

Once you have prepared your site you can move onto assembling the wall modules. You will find individual instructions on how to assemble each of your wall modules, packed in each carton.

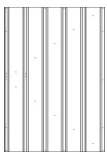
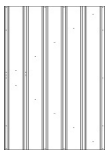
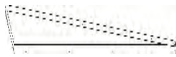







We recommend that you use saw horses or something similar to act as a work table. Your back will thank you at the end of the build.







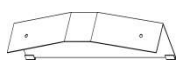
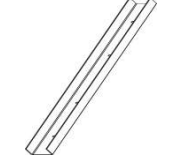


Now put his manual in a safe place because you will have to come back to this set of instructions when you are ready to start to assemble your roof and do the final construction phase.

Check the contents

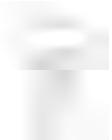

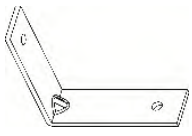







Before you start to construct this roof you will need to check off all of the contents.

Parts checklist for a gable roof to suit 2.3 x 2.3 and 2.3 x 3.0 sheds.

Picture	Description	Component	Location	Part No.	QTY	Check
	Sheet	Sheet 1216x770	roof	S16	2	
	Sheet	Sheet 1216x770	roof	S17	2	
	Gable	Gable 1100	roof	SG29	2	
	Gable	Gable 1100	roof	SG30	2	
	Channel	Channel 1124	roof	26A	2	
	Channel	Channel 1124	roof	26B	2	
	Channel	Channel 1124	roof	26E	2	
	Channel	Channel 1124	roof	26F	2	
	Channel	Channel 740	roof	SC40	2	
	Channel	Channel 740	roof	SC41	2	

Picture	Description	Component	Location	Part No.	QTY	Check
	Lip	Lip 1219	roof	54	4	
	Ridge beam	Ridge beam 1125 zinc	roof	62	2	
	Ridge beam	Ridge beam 740 zinc	roof	E25	1	
	Gable cap	Gable cap 1125	roof	E2	2	
	Gable cap	Gable cap 740	roof	E27	1	
	Connector	Gable cap connector 450	roof	E3	2	
	Logo cap	Logo cap	roof	E1	2	
	Ridge beam connector	Ridge beam connector 450mm zinc	roof	67	2	
	Roof brace	Roof brace zinc	roof	96	2	
	Channel connector	Channel connector 188mm	roof	66	8	

Fittings Pack

Picture	Component	QTY	Picture	Component	QTY
	Self tapping screws(10mm)	190		Self tapping screws(16mm)	32
	Mid wall brace brackets	4		Base bracket	12
	5/16"x19mm Hexagonal bolt	12		5/16" Hexagonal nut	12
	Sleeve anchor bolt	12		Self tapper safety cover	40
	Channel safety cover (L type)	1		Channel safety cover (R type)	1

If you are missing anything call The Garden Shed Hotline 1300 781 230

Start the Build

Here is what you are building.

For a 2.3 x 3.0 metre shed your roof will look like diagram 1. You will be using 8 x roof sheets SS16-17-18. The SS18 roof sheets will be in the R23C box separate from this box.

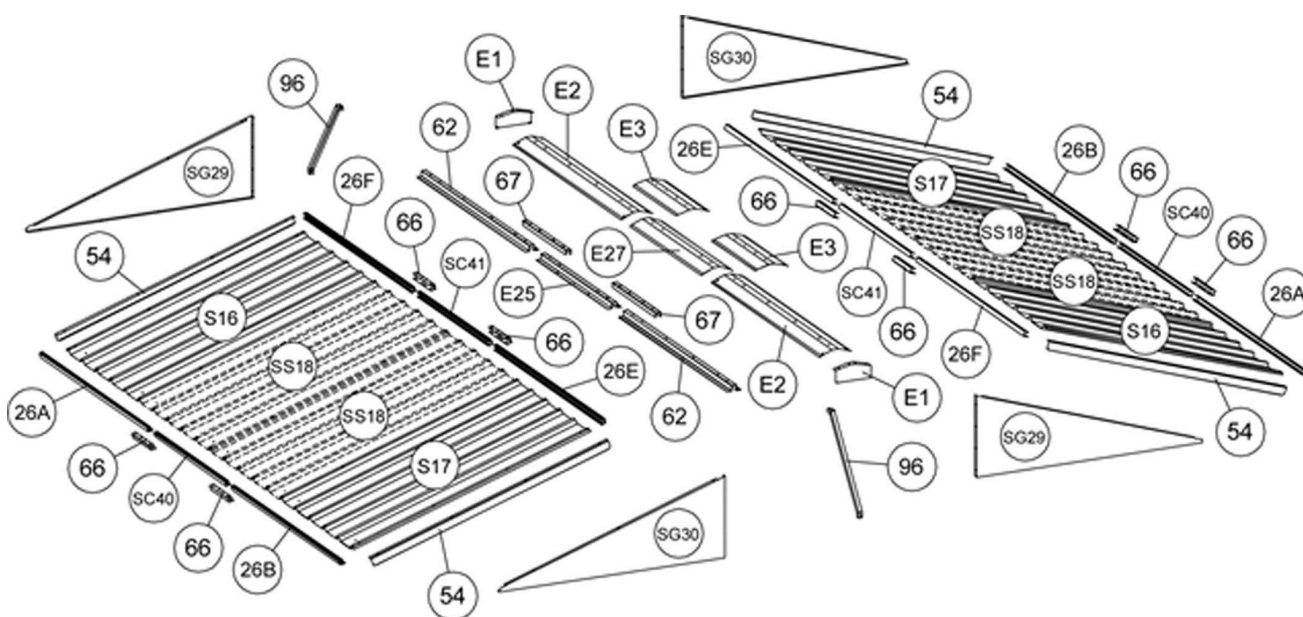


Diagram 1

For a 2.3 x 2.3 metre shed your roof will look like diagram 1A. You will be using only 6 roof sheets SS16-17-18. The SS18 roof sheets will be in the R23C box separate from this box.

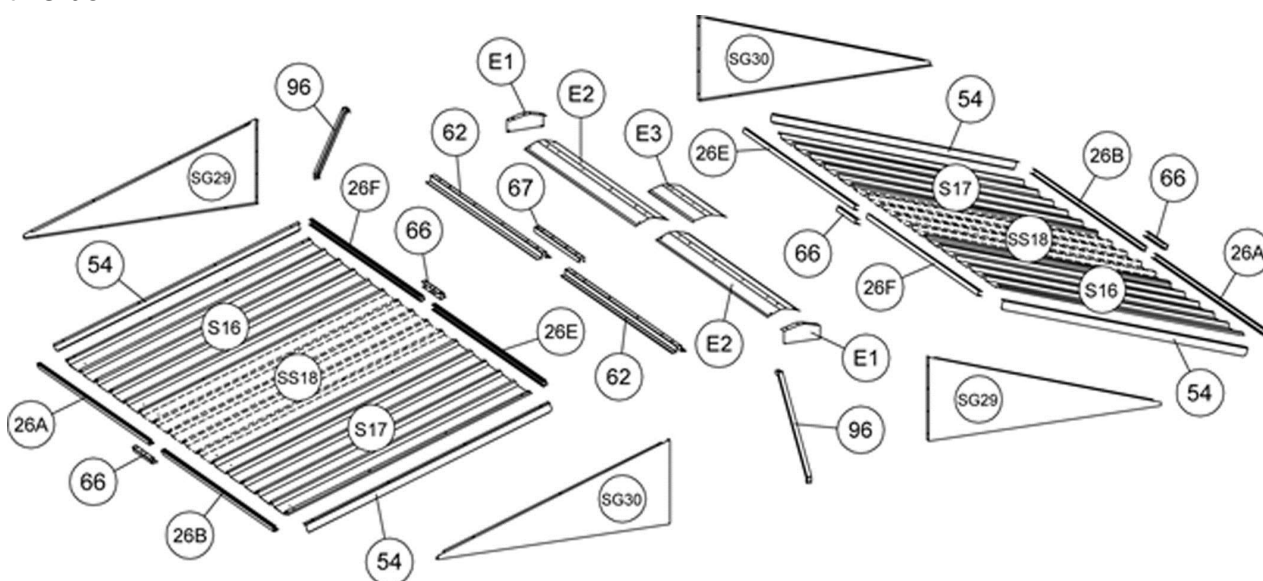


Diagram 1A

Building a gable roof & erecting a 2.3 x 2.3 shed

Here is what you are building. It is a 2.3 x 2.3 x 1900mm high gable roof garden shed. We have shown a single end hinged door shed, but you may have hinged or sliding doors on the longer side of your shed. Don't worry these instructions cover all variations of the 2.3 x 2.3 series.

If you are building a 2.3 x 3.0 shed jump to page 17.

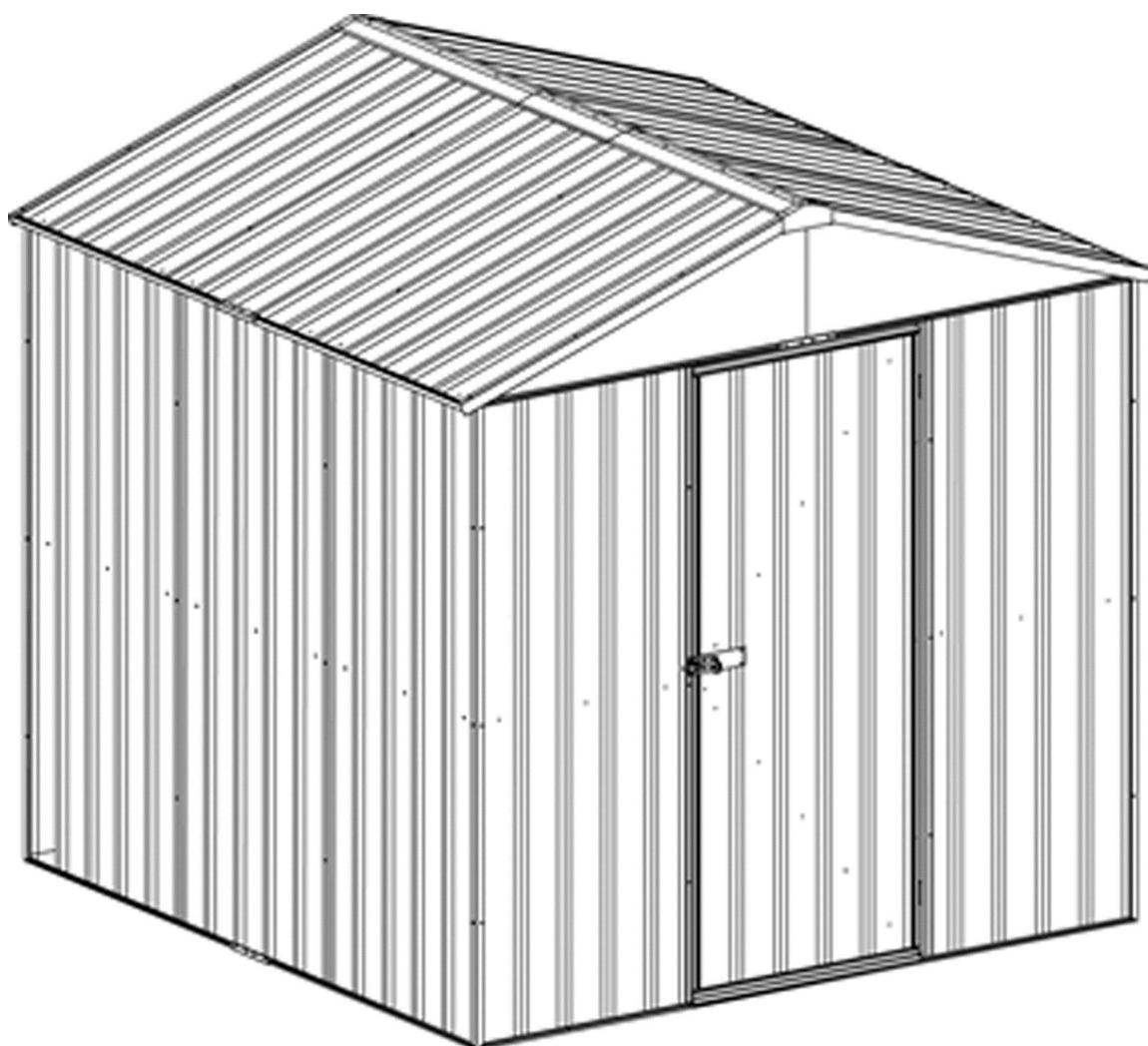


Diagram 2

- 1 Place sheets SS16, SS17 and SS18 on your work table.
- 2 Using a soft face hammer tap the 26A, 26B, 26E & 26F channels into position as per the diagram. Ensure you attach the 26A & 26B channels to the ends of the sheets that have the pre-punched holes. Use the 10mm self-tapping screws to fix the channels to the sheet. Repeat this process to assemble the other side of the gable.

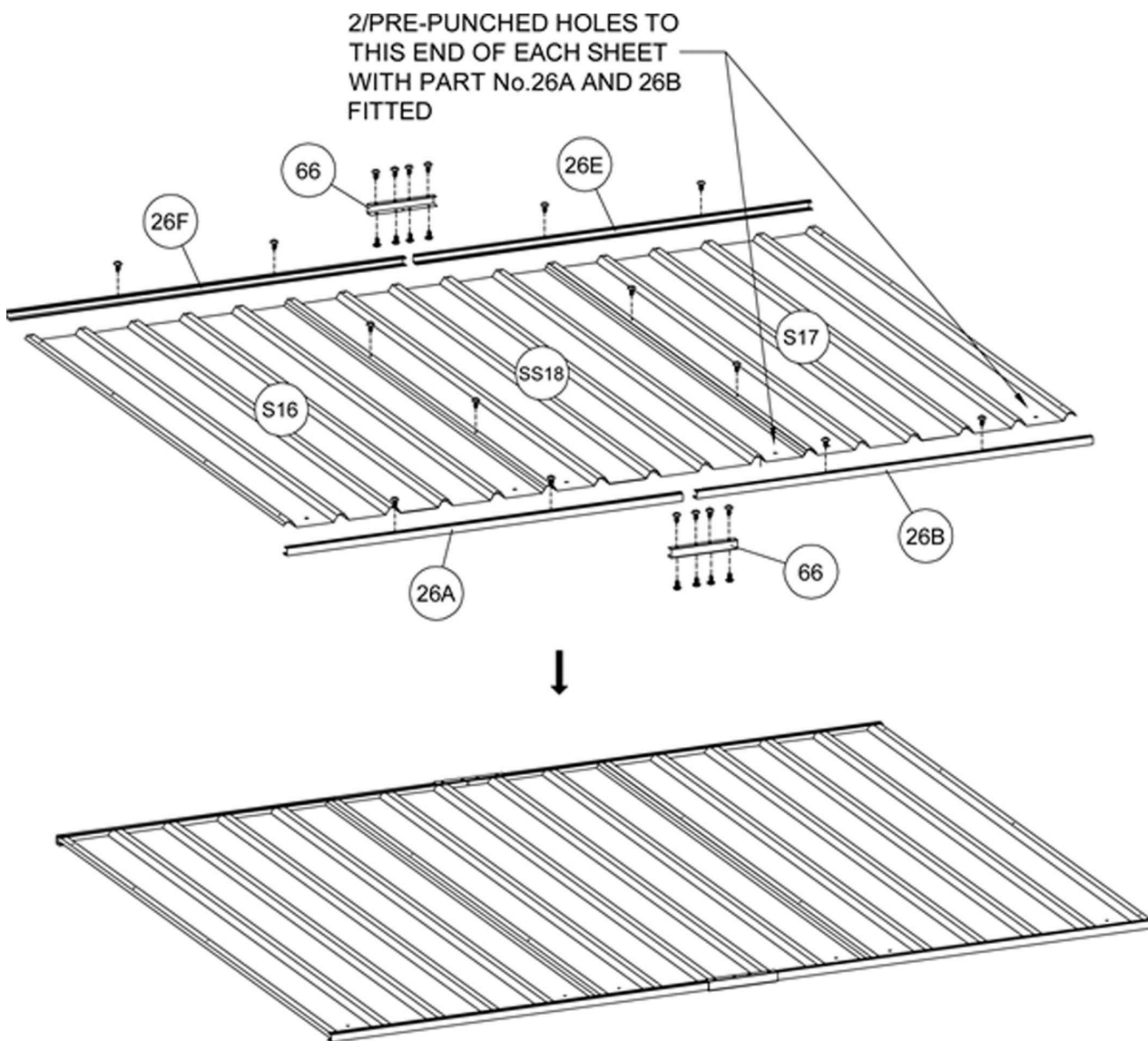


Diagram 3

3 You will now need the walls that you assembled earlier. Wall assembly is the same for all door configurations of the 2.3 x 2.3 series.

4 Remember you left out the screws on one end of each wall you built? Well we will fix that now. Fix the walls together using the corner angles SZ01 which you fixed on to the left hand side of each wall.

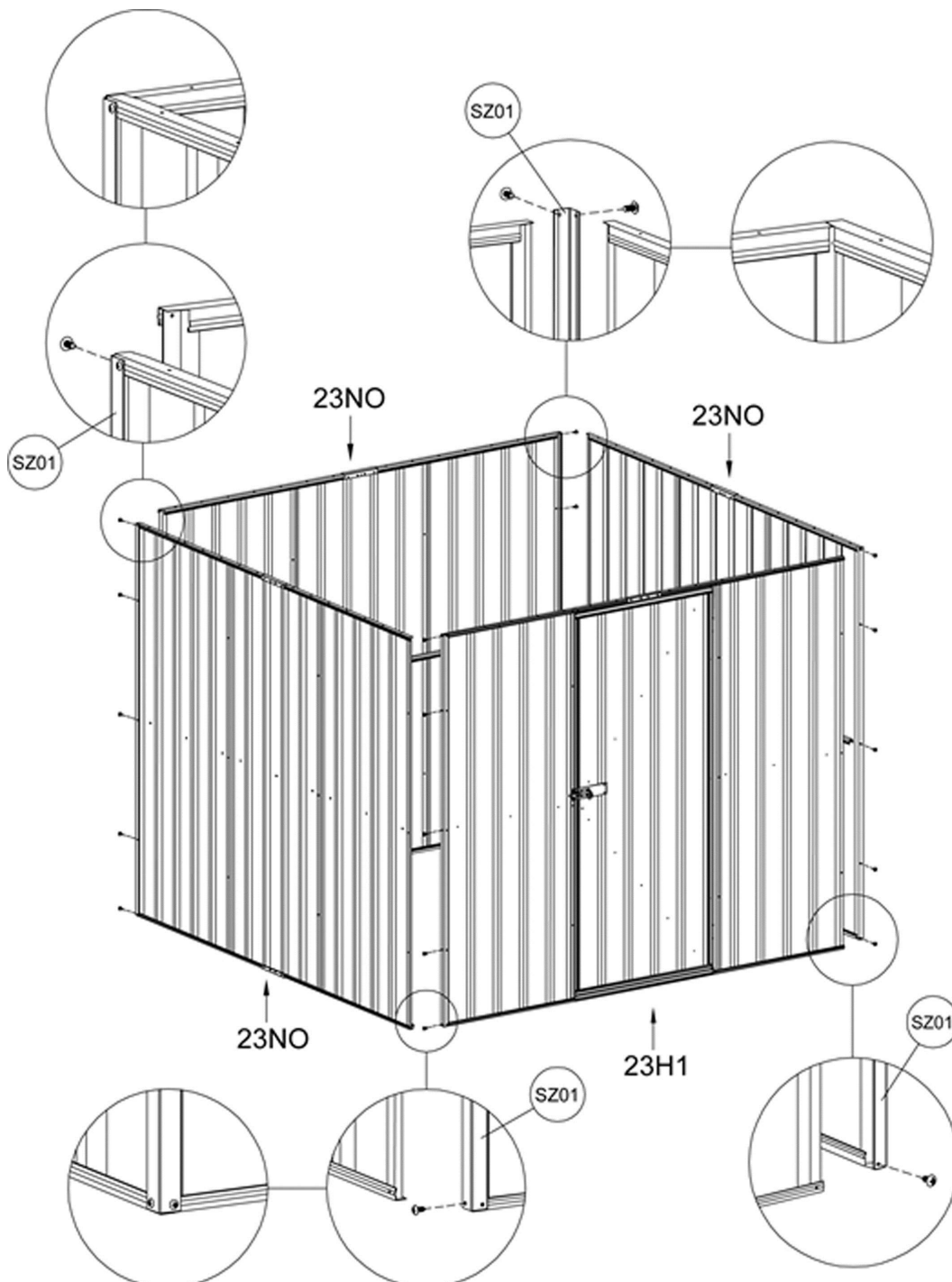


Diagram 4

5 As this shed is square, you can choose whether to assemble it as either a front or side gable. Attach the gable ends SG29 & SG30 to the appropriate walls. Your doors may be in a different configuration to the diagram, but the assembly is the same.

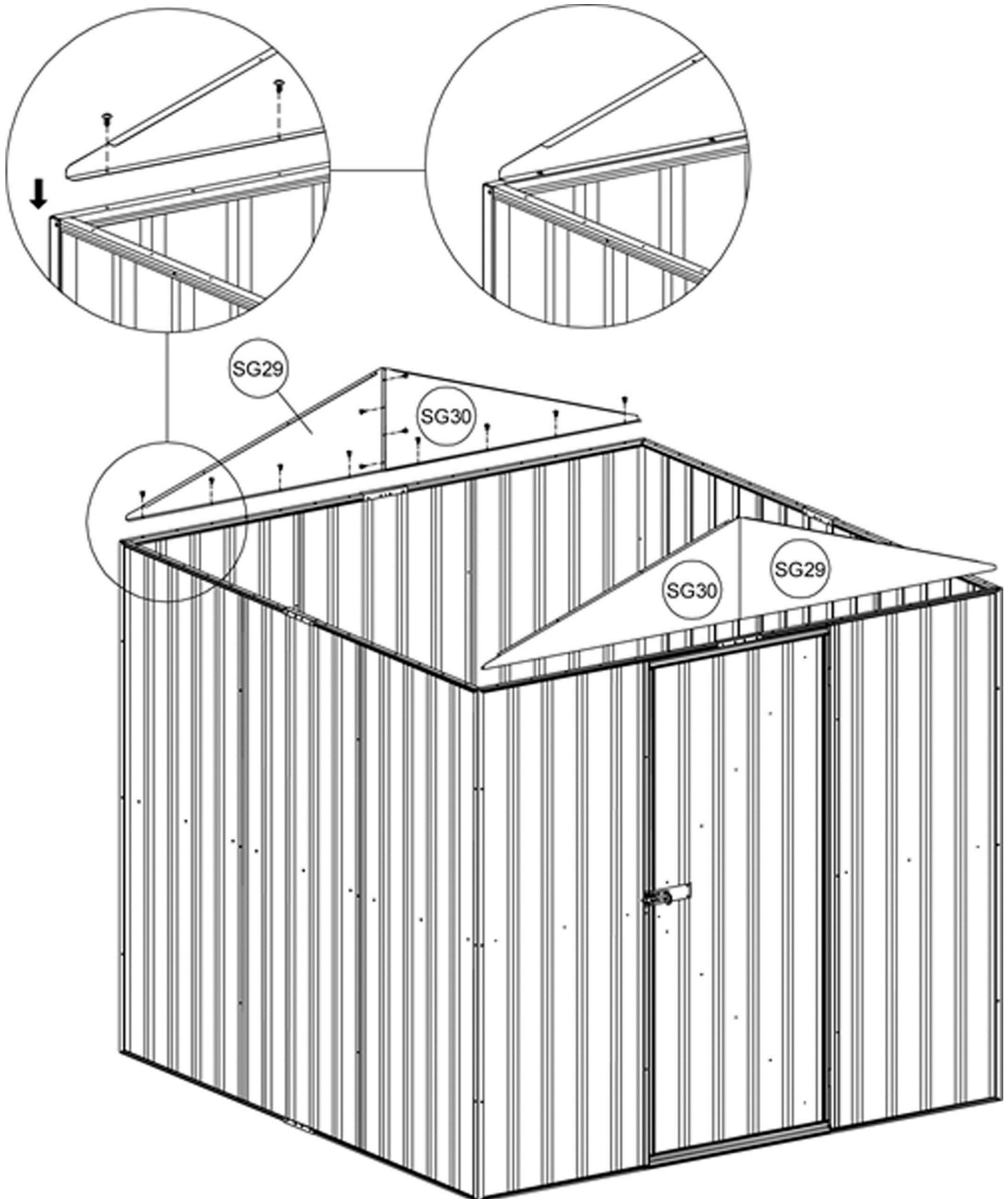


Diagram 5

6 Assemble the roof ridge beam by joining 2 x 62 channels using the 67 joiner. Note that the red arrows are in the centre. Fix the E2 covers into position with 10mm self-tapping screws. Attach the E3 cover last using the 16mm self-tapping screws.

7 You will now assemble half the gable roof by attaching the panel you assembled in steps 1 & 2 into the ridge beam. Slot your panel into the beam. It is the side of the panel that has the 26E & 26F channels that slot into the beam. Attach from the underside with 10mm self-tapping screws.

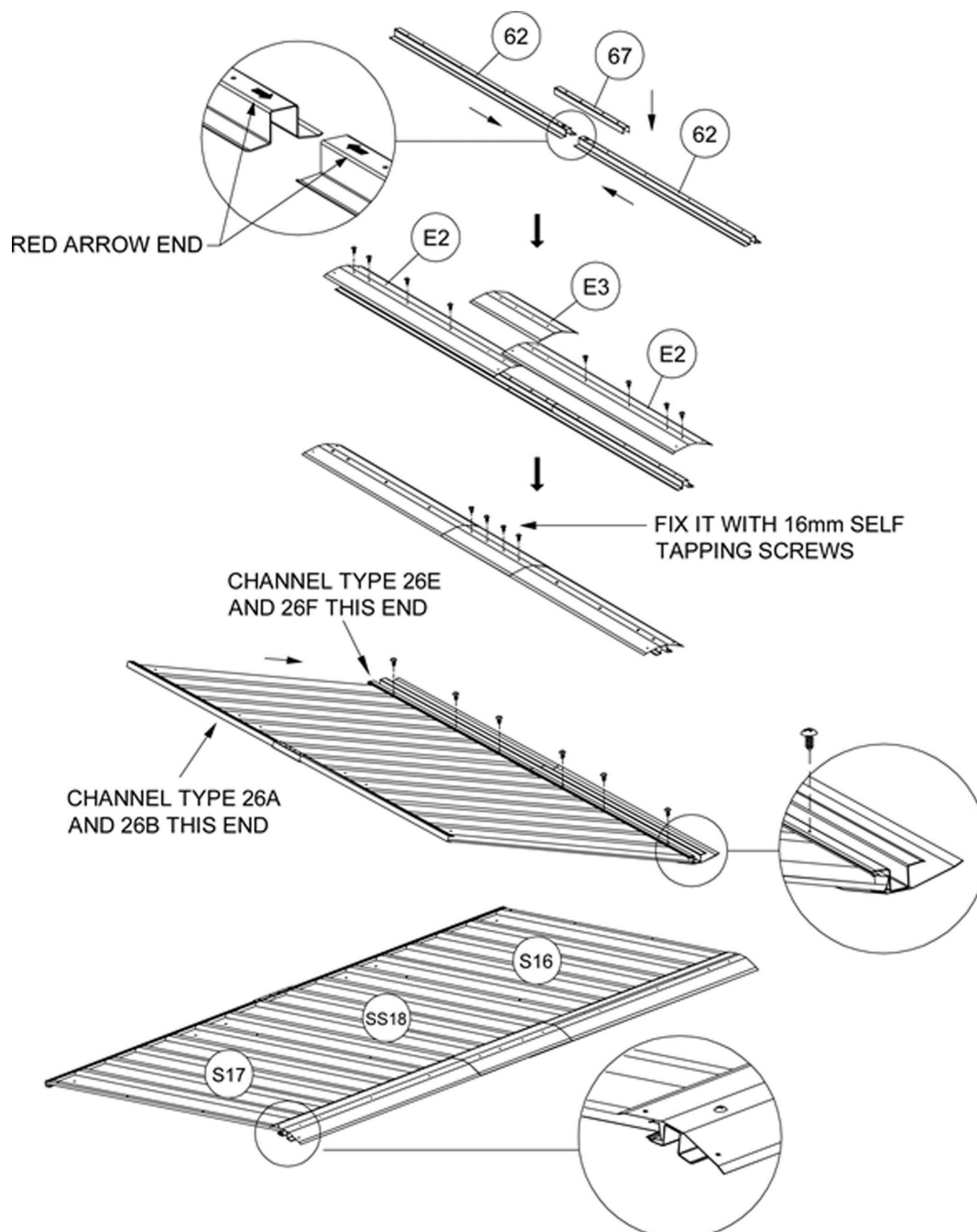
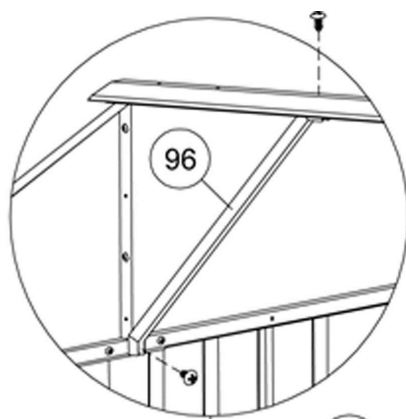


Diagram 6

8 Place your half assembled roof into position and fix it with the 54 lips just above the wall line. This will hold it in position while you slide the second gable panel into the ridge beam. This will be a snug fit to keep your shed weatherproof. Do not put screws in the other holes at this point. This will be done in the next step. Install the front and rear wall braces as indicated below.

Attach the braces 96 as per the diagram. When fixing to the ridge beam use a 3mm drill to make a pilot hole from below, then secure with 16mm self-tapping screws from the top.



AFTER ATTACHING BOTH ROOF PANELS TO WALLS AS SHOWN ABOVE, DRILL THE HOLES THROUGH BY 3 MM DRILL BIT FOR THE ROOF BRACE AND FIX IT TO THE RIDGE BEAM AND FRONT WALL AS SHOWN. REPEAT THE SAME STEP FOR THE ROOF SIDE. THEN REPEAT THIS PROCEDURE FOR THE REAR WALL ROOF BRACE

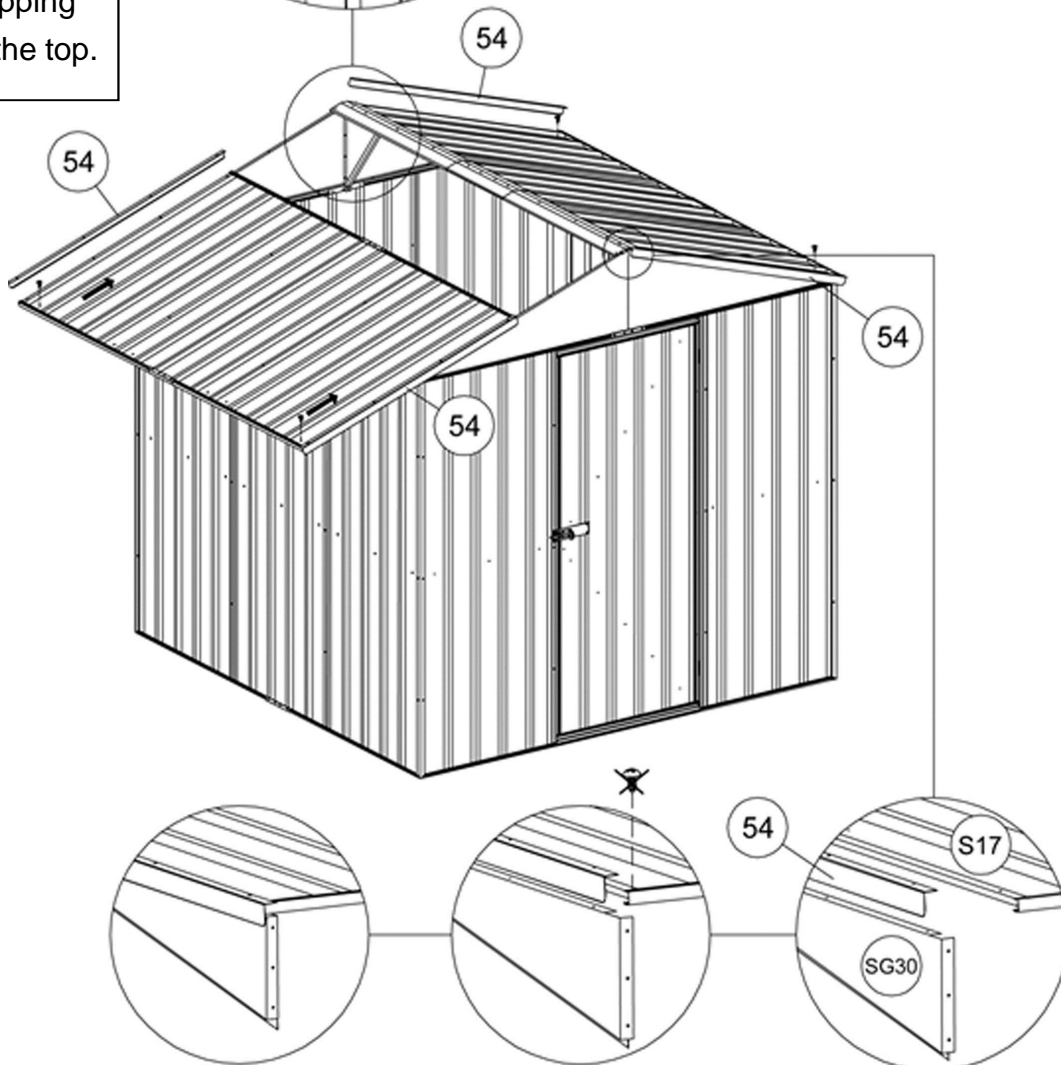
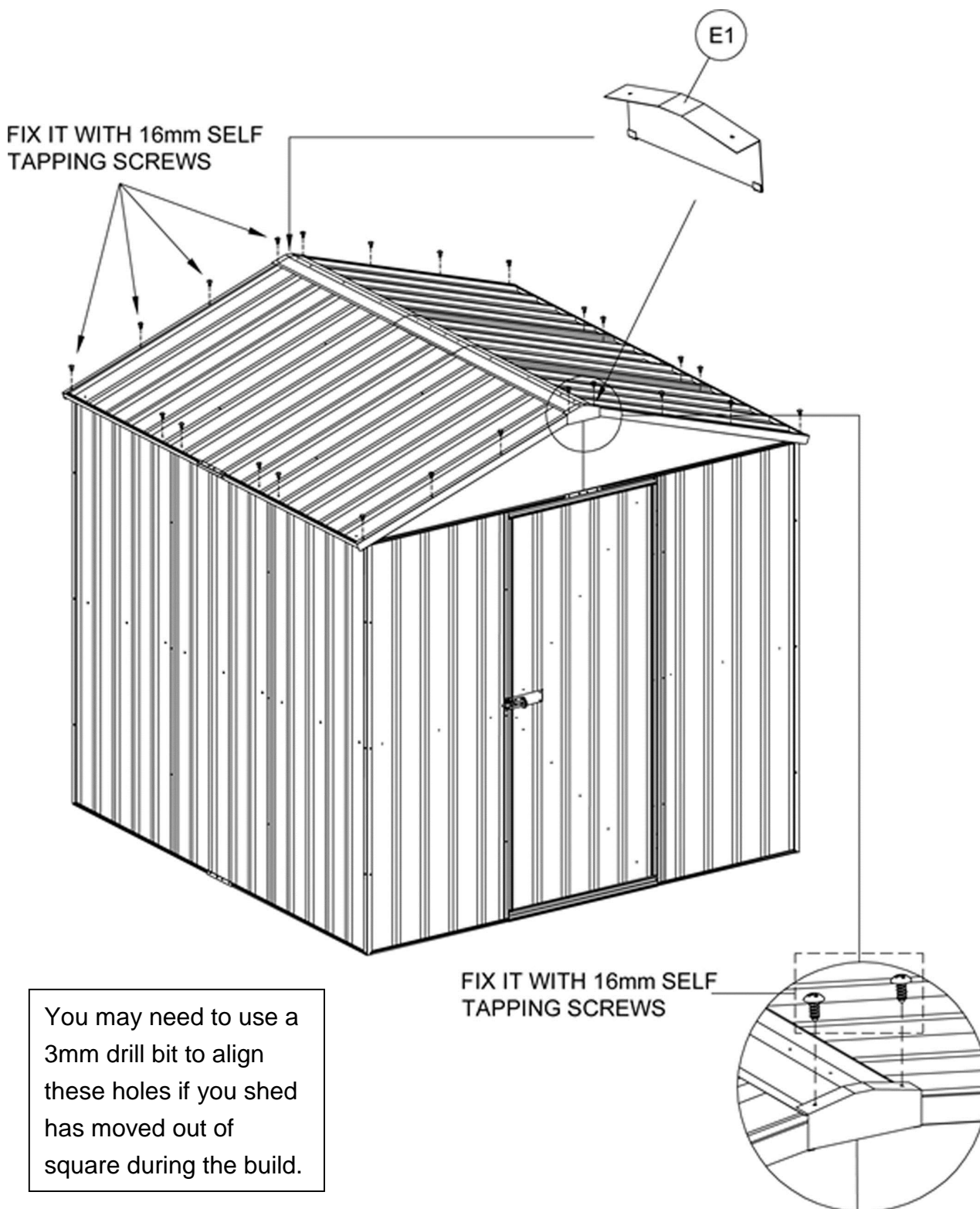


Diagram 7

9 Use the 16mm self-tapping screws to attach the roof to the gable ends. Use a 3mm drill when you are attaching the E1 gable end caps if you find the holes are not lining up exactly.



You may need to use a 3mm drill bit to align these holes if your shed has moved out of square during the build.

Diagram 8

10 Use the mid-wall corner brackets 72 to connect the mid-wall braces, and then fix your shed to the base using the bolt down brackets and bolts.

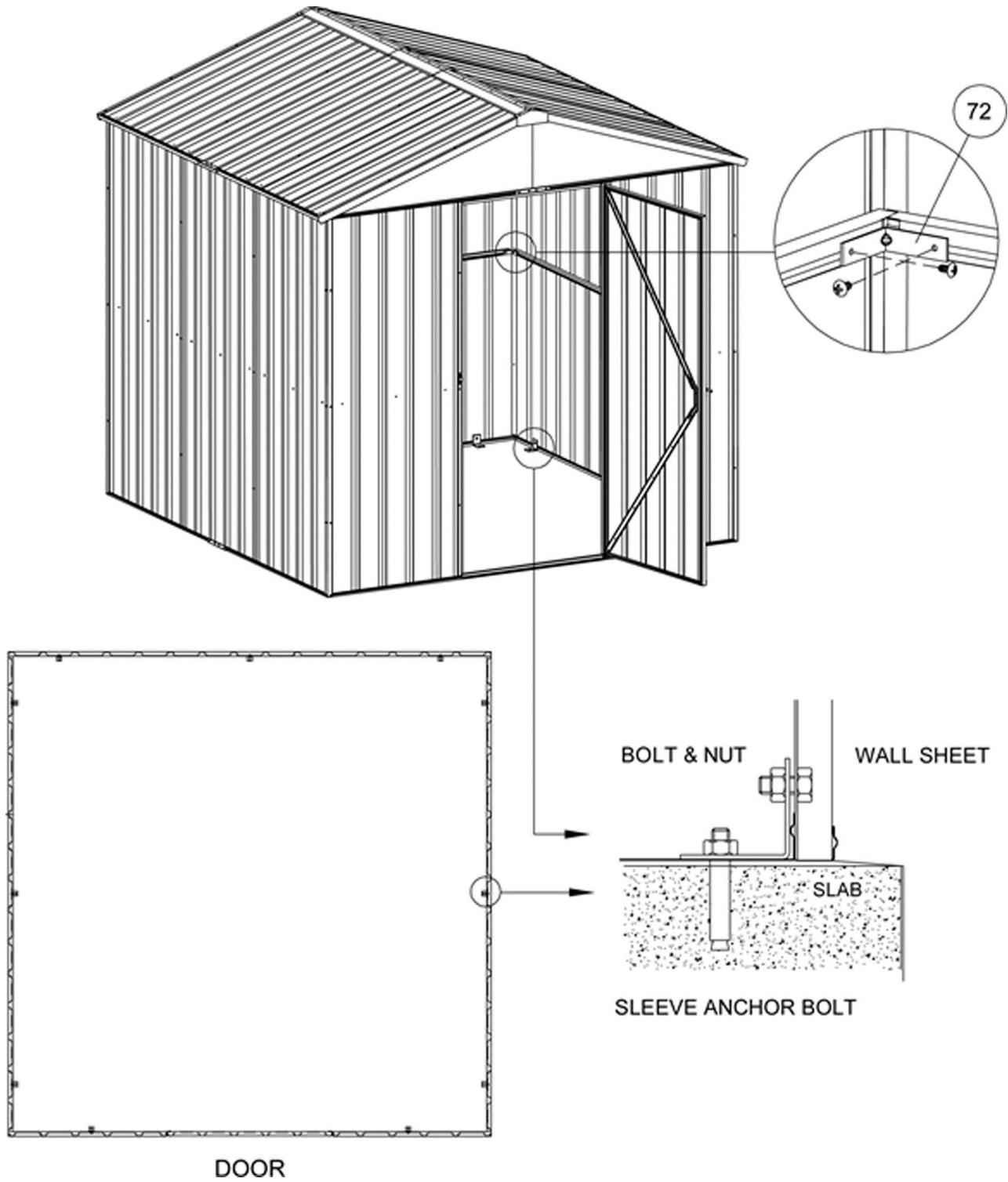


Diagram 9

11 Use the end channel covers and screw covers to make your shed safe. Cover any exposed screws or channel ends.

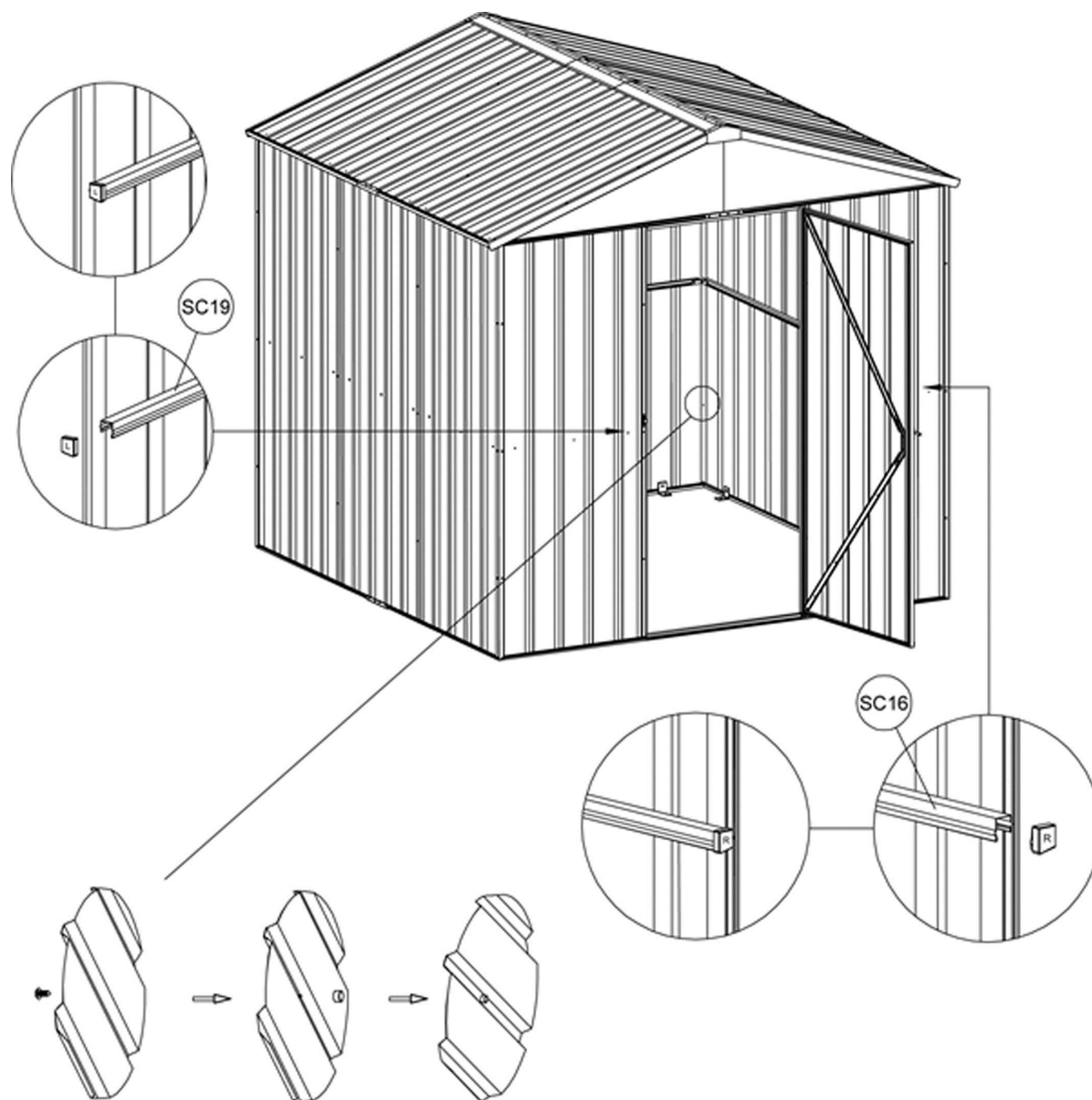


Diagram 10

What's next?

You may have some screws and depending on your shed size some sheets and components left over. Don't worry you haven't forgotten anything; we give you more than you need.

You can now skip to page 27 for tips on keeping your new garden shed in tip top condition for years to come as well as details about your 30 year warranty.

Building a gable roof & erecting a 2.3 x 3.0 shed

Here is what you are building. It is a 2.3 x 3.0 x 1900mm high gable roof garden shed. We have shown a single hinged door shed, but you may have hinged or sliding doors on one or two sides of your shed. Don't worry these instructions cover all variations of the 2.3 x 3.0 series.

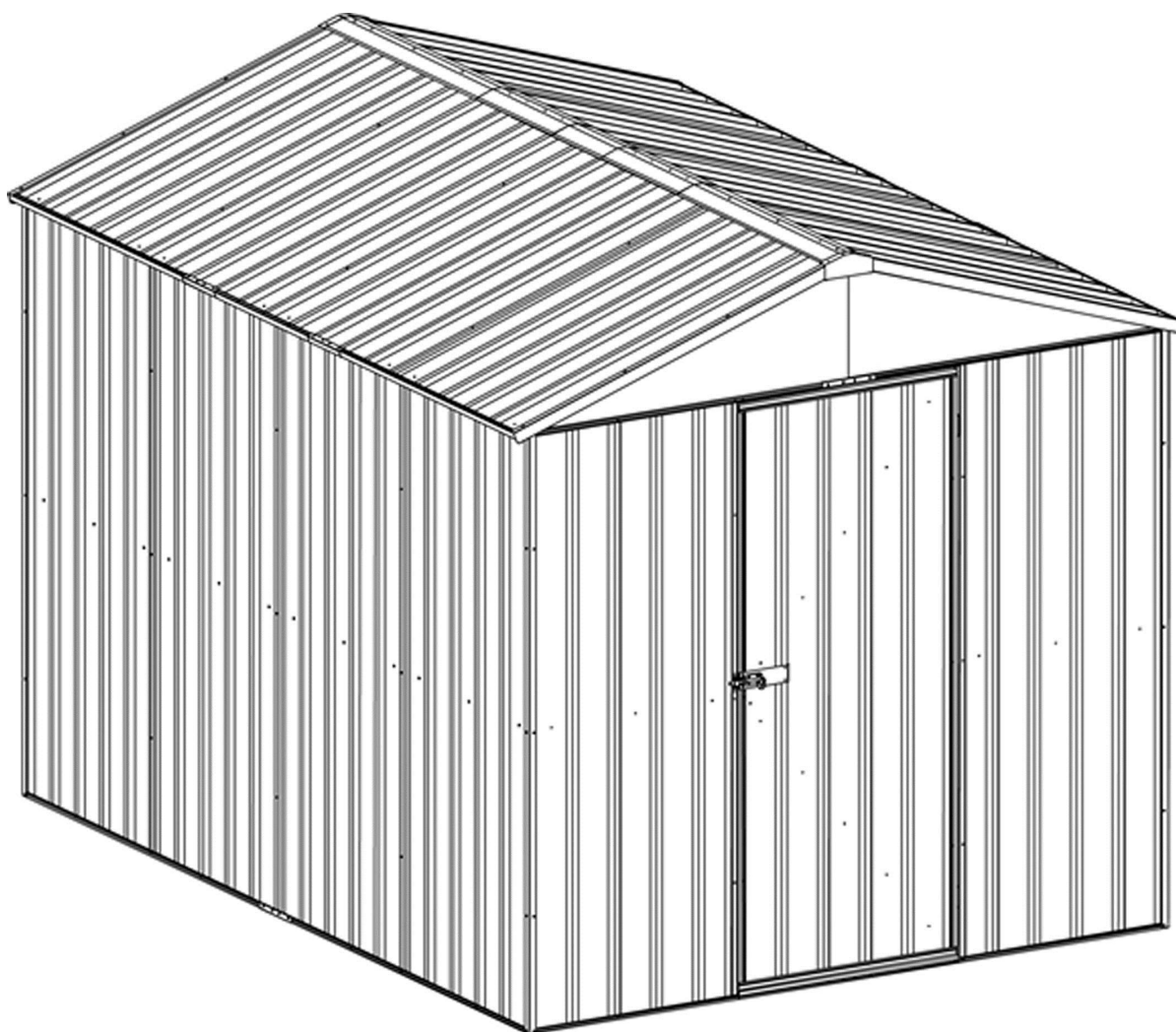


Diagram 11

- 1 Place sheets SS16 and SS17 & 2 x SS18 on your work table.
- 2 Using a soft face hammer tap the 26A, 26B, 26E, 26F, SC40 & SC41 channels in to position as per the diagram. Ensure you attach the 26A, 26B and SC40 channels to the ends of the sheets that have the pre-punched holes. Use the 10mm self-tapping screws and channels joiner 66 to fix the channels to the sheets. Repeat the process for the other gable panel.

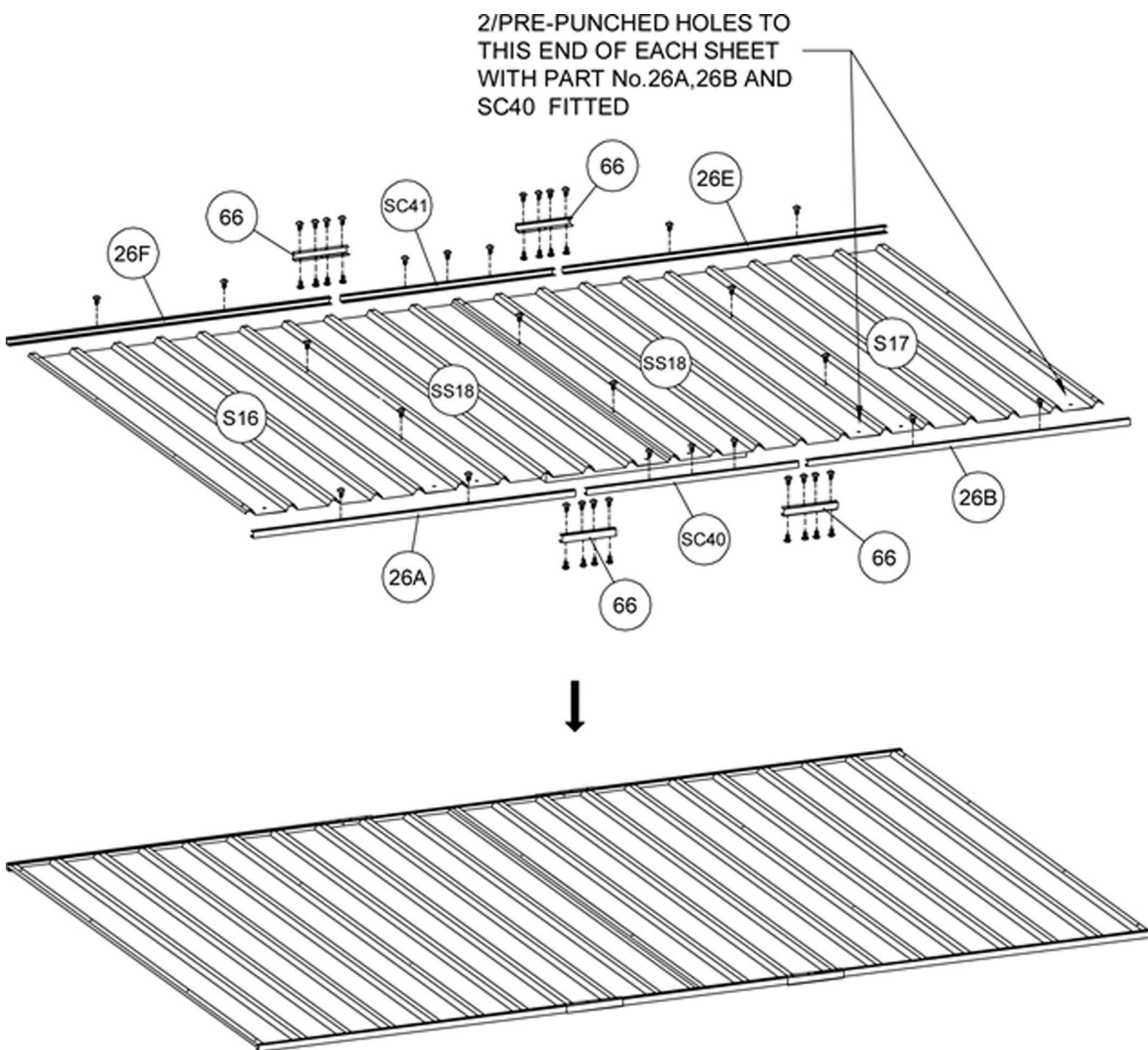
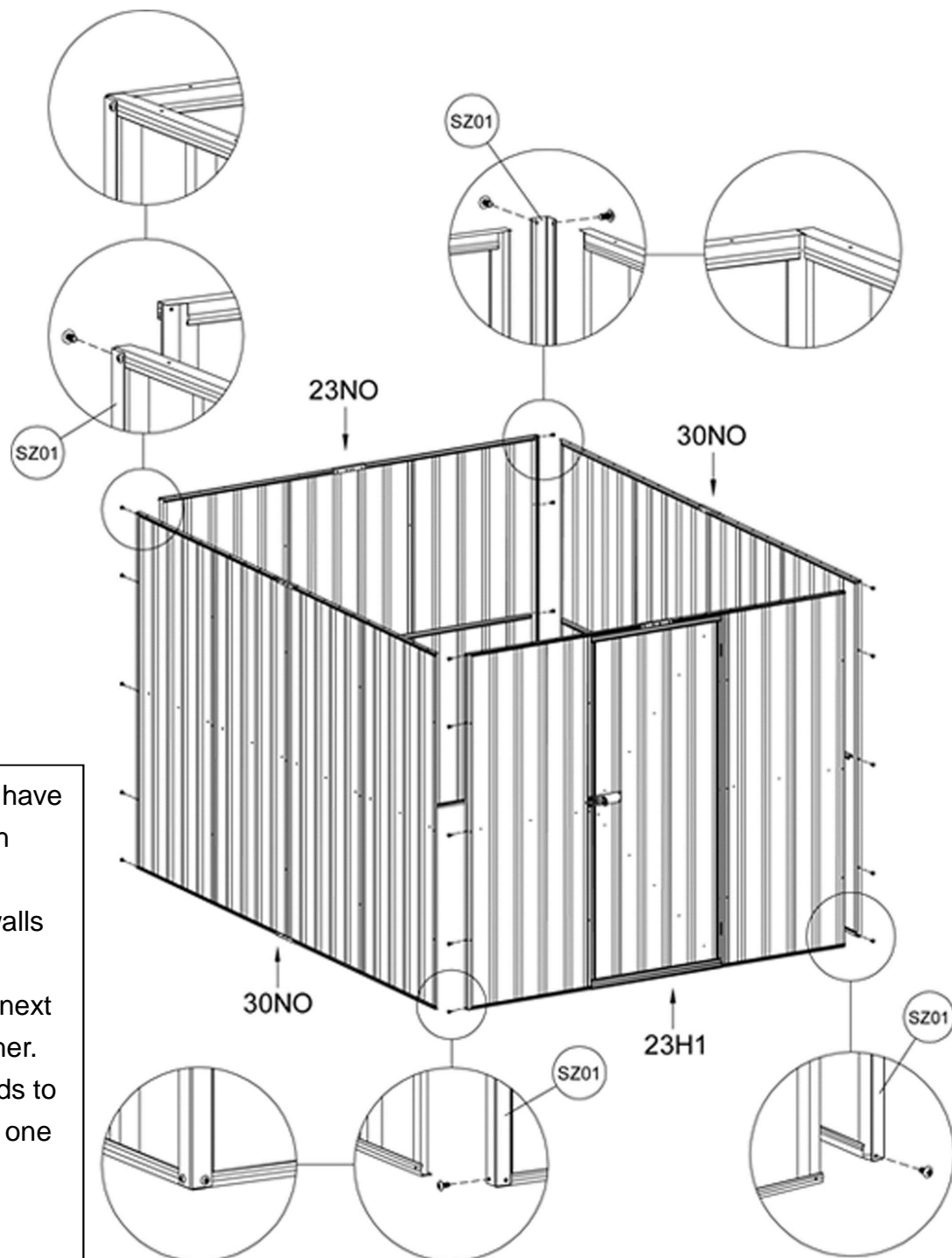


Diagram 12

3 You will now need the walls that you assembled earlier. Wall assembly is the same for all door configurations of the 2.3 x 3.0 series.

4 Remember you left out the screws on one end of each wall you built? Well we will fix that now. Fix the walls together using the corner angles SZ01. The assembly is identical for double hinged and single & double sliding door walls.



When you have a shed with doors in adjacent walls the doors cannot be next to each other. There needs to be at least one wall sheet separating doors on adjacent walls.

Diagram 13

5 Attach the gable ends SG29 & SG30 to the shorter walls. Your doors may be in a different configuration to the diagram, but the assembly is the same.

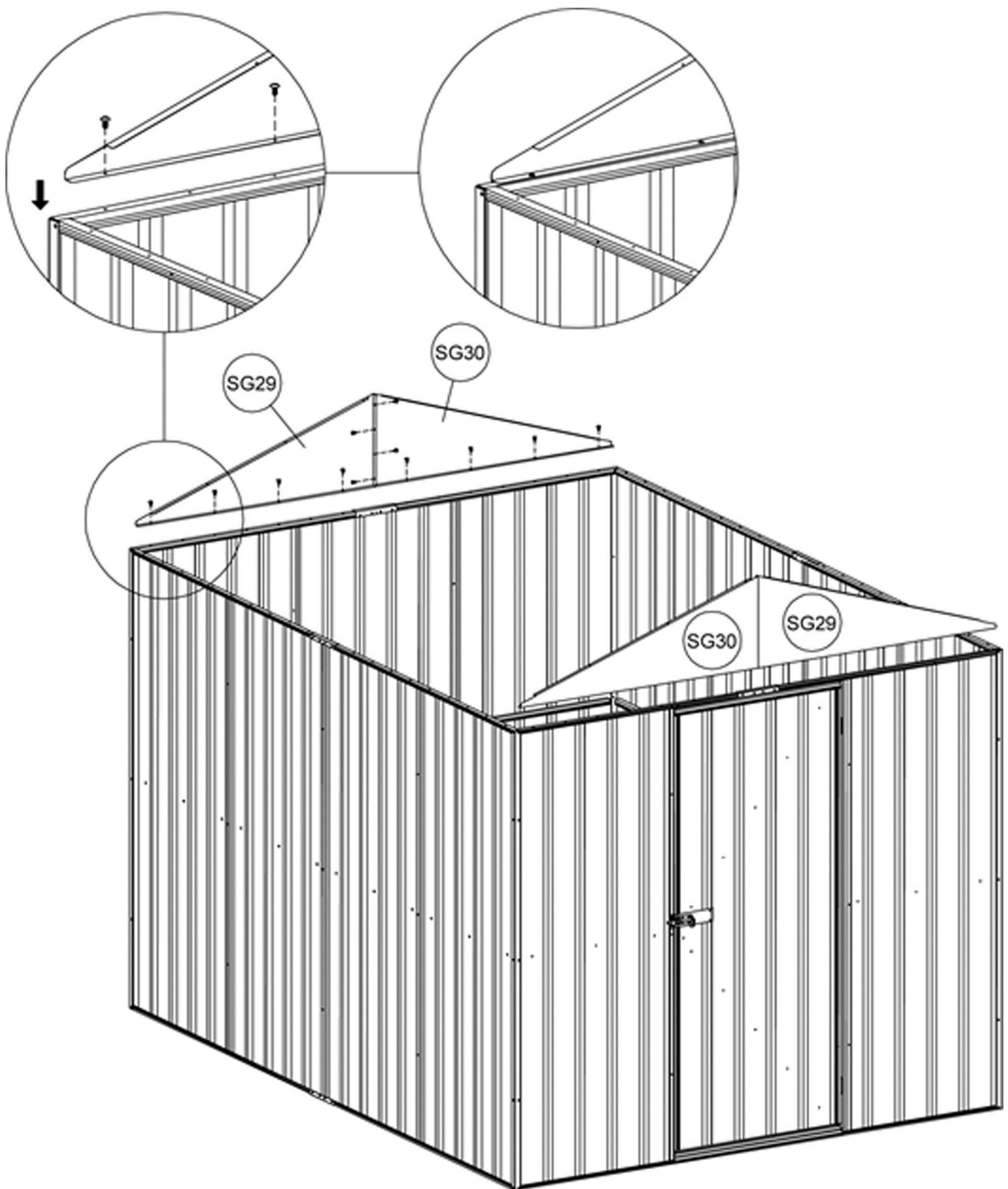


Diagram 14

6 Assemble the roof ridge beam by joining channels 62 together using the 67 joiners. Note that the red arrows are in the centre. Fix the E2 & E27 covers into position with 10mm self-tapping screws. Attach the E3 covers last using the 16mm self-tapping screws.

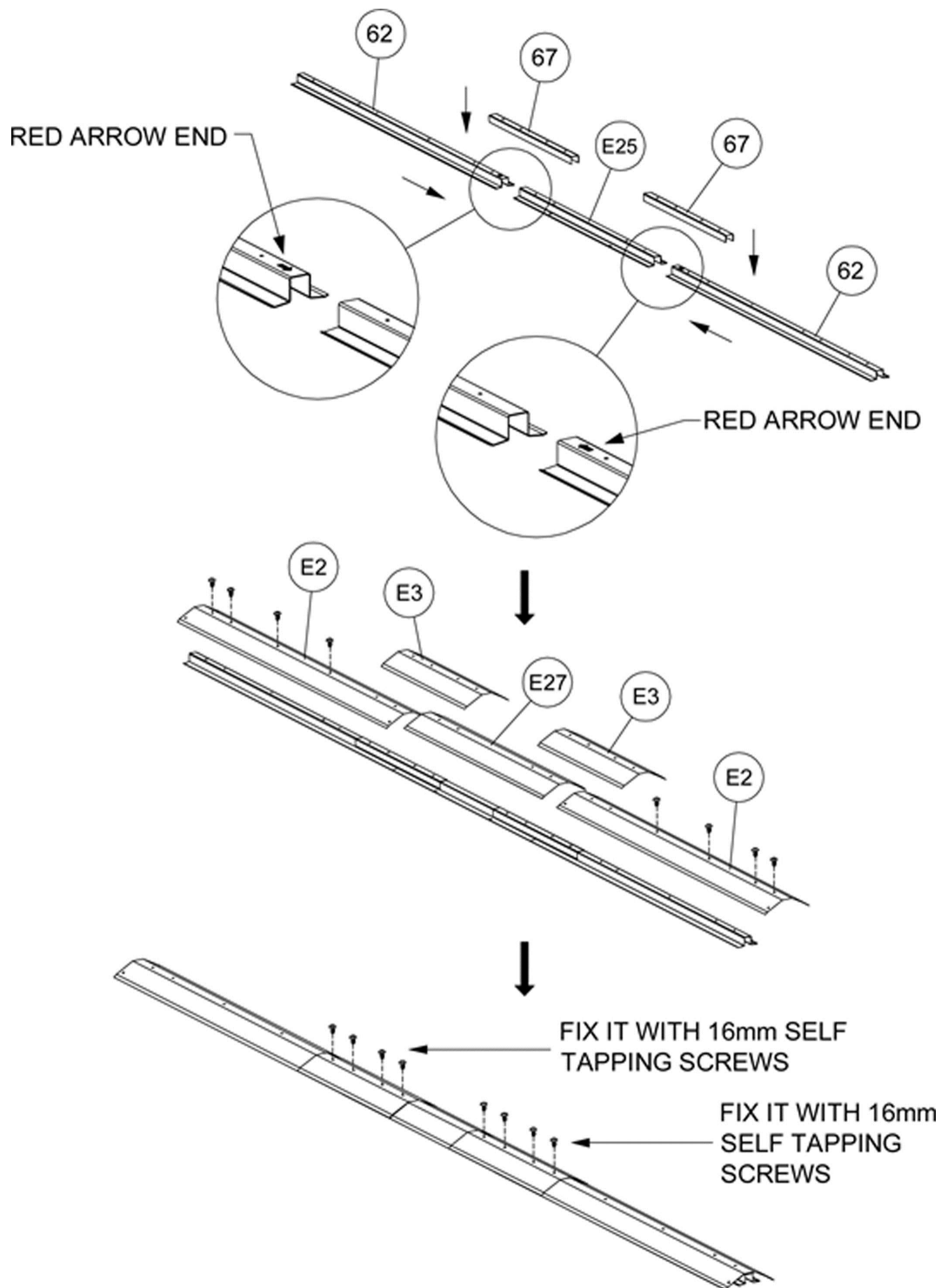


Diagram 15

7 Slide one of the roof panels you assembled earlier into the ridge beam, ensure you insert the side that has the 26E 26F & SC41 channels and secure from the underside using 10mm self-tapping screws.

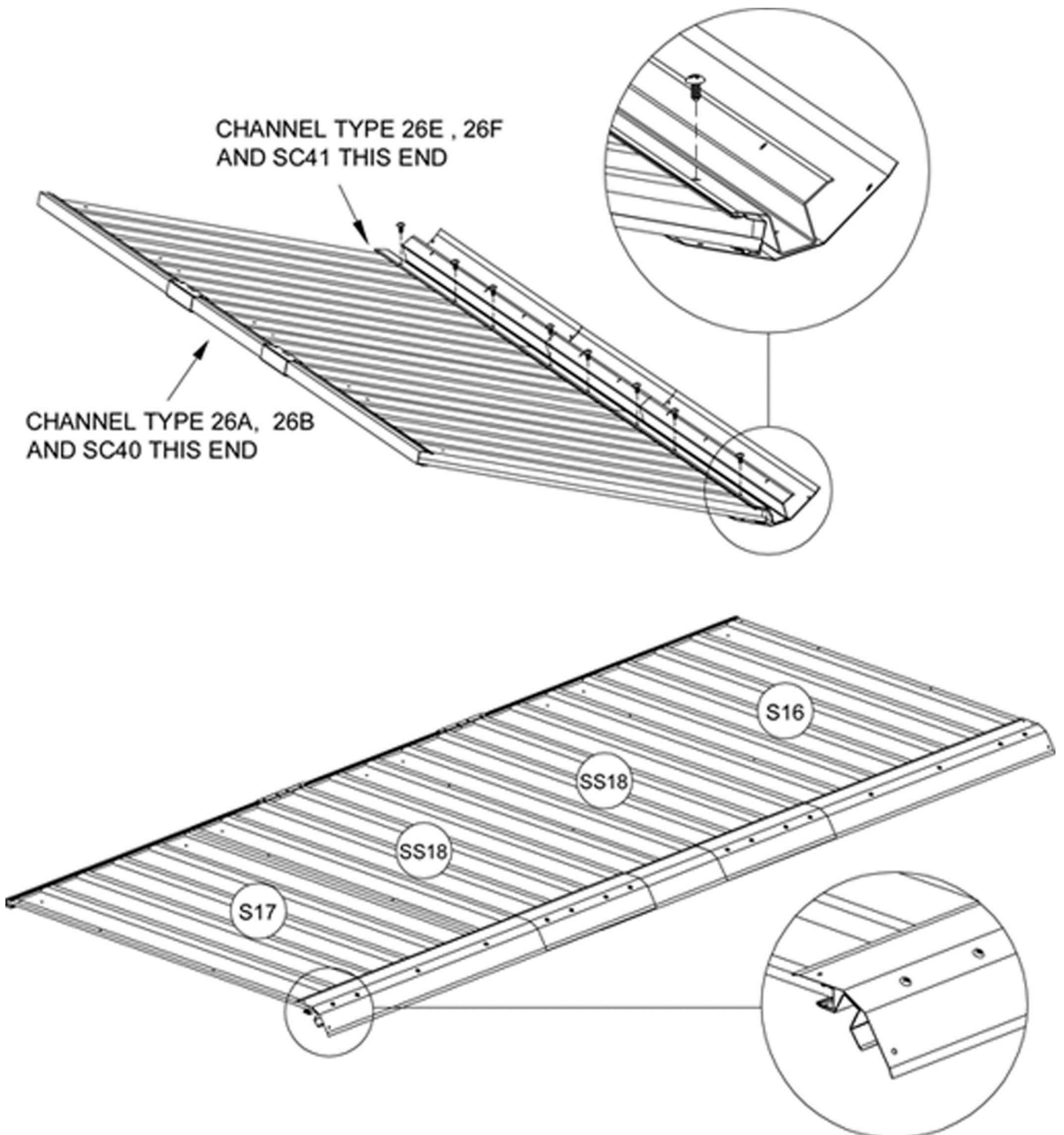


Diagram 16

8 Place your half assembled roof into position and fix it with the 54 lips just above the wall line. This will hold it in position while you slide the second gable panel into the ridge beam. This will be a snug fit to keep your shed weatherproof. Do not put screws in the other holes at this point. This will be done in the next step. Install the front and rear wall braces as indicated below.

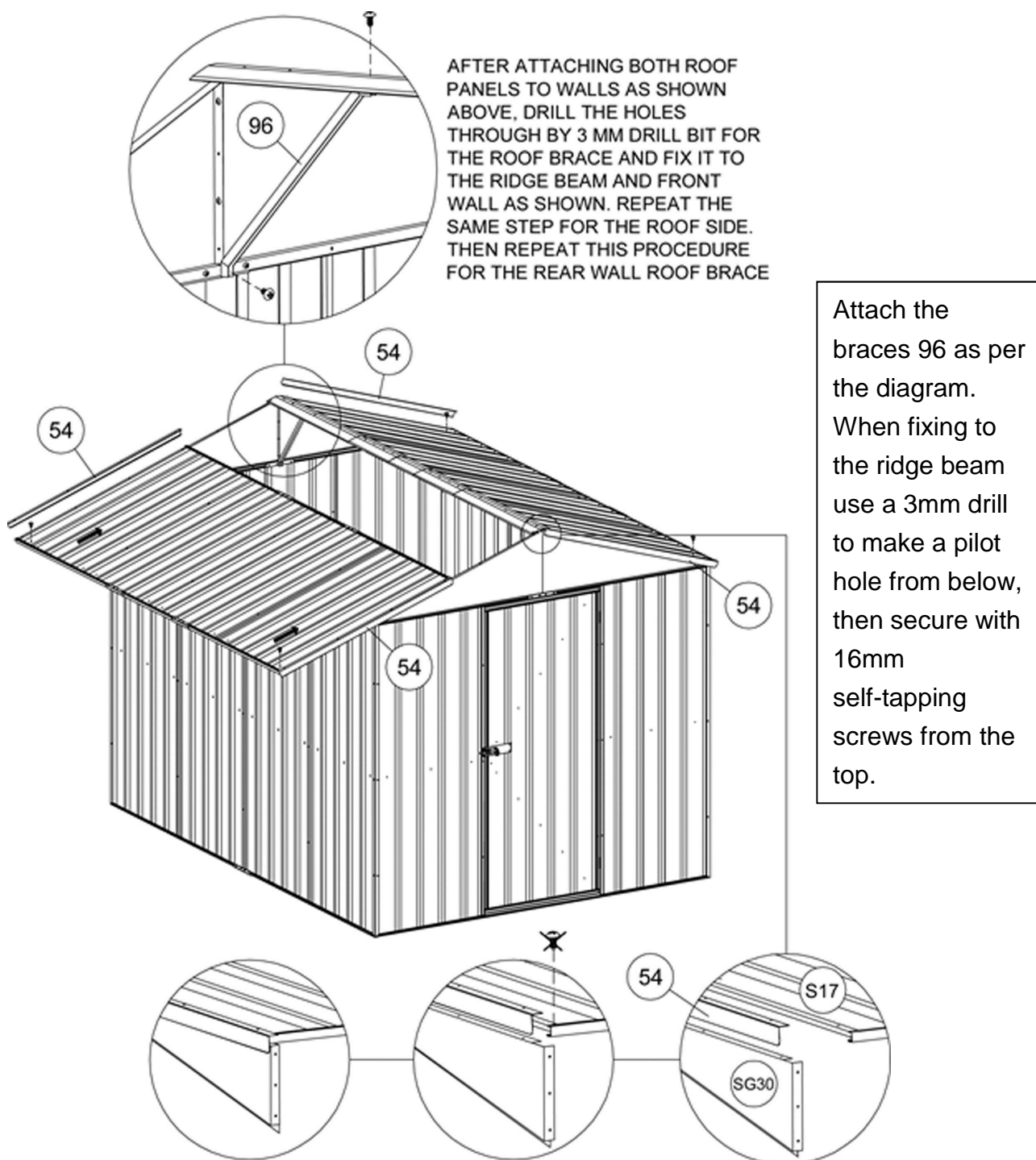


Diagram 17

9 Use the 16mm self-tapping screws to attach the roof to the gable ends and the gable end cap E1.

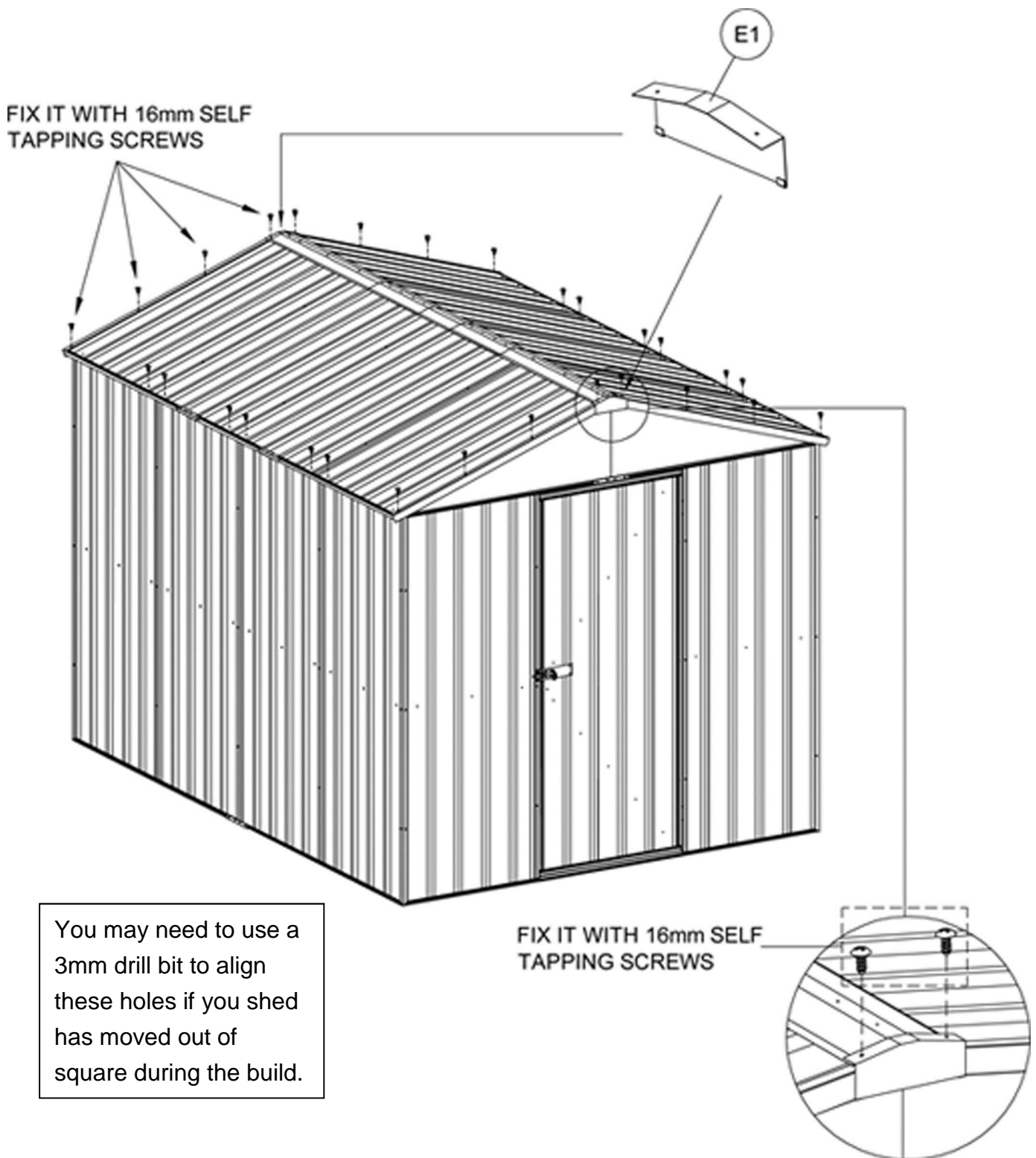


Diagram 18

10 Use the mid-wall corner brackets 72 to connect the mid-wall braces, and then fix your shed to the base using the bolt down brackets and bolts.

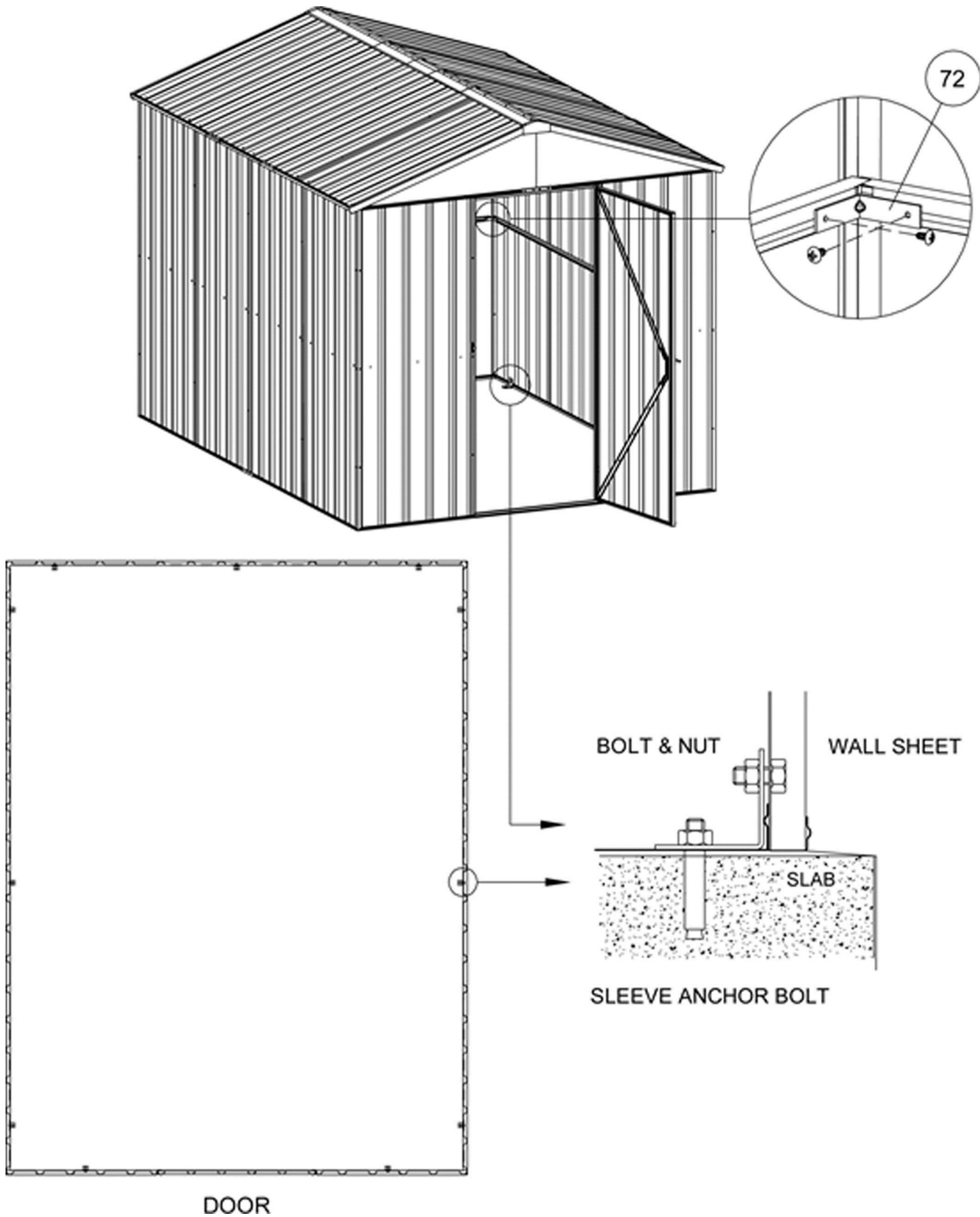


Diagram 19

11 Use the end channel covers and screw covers to make your shed safe. Cover any exposed screws or ends.

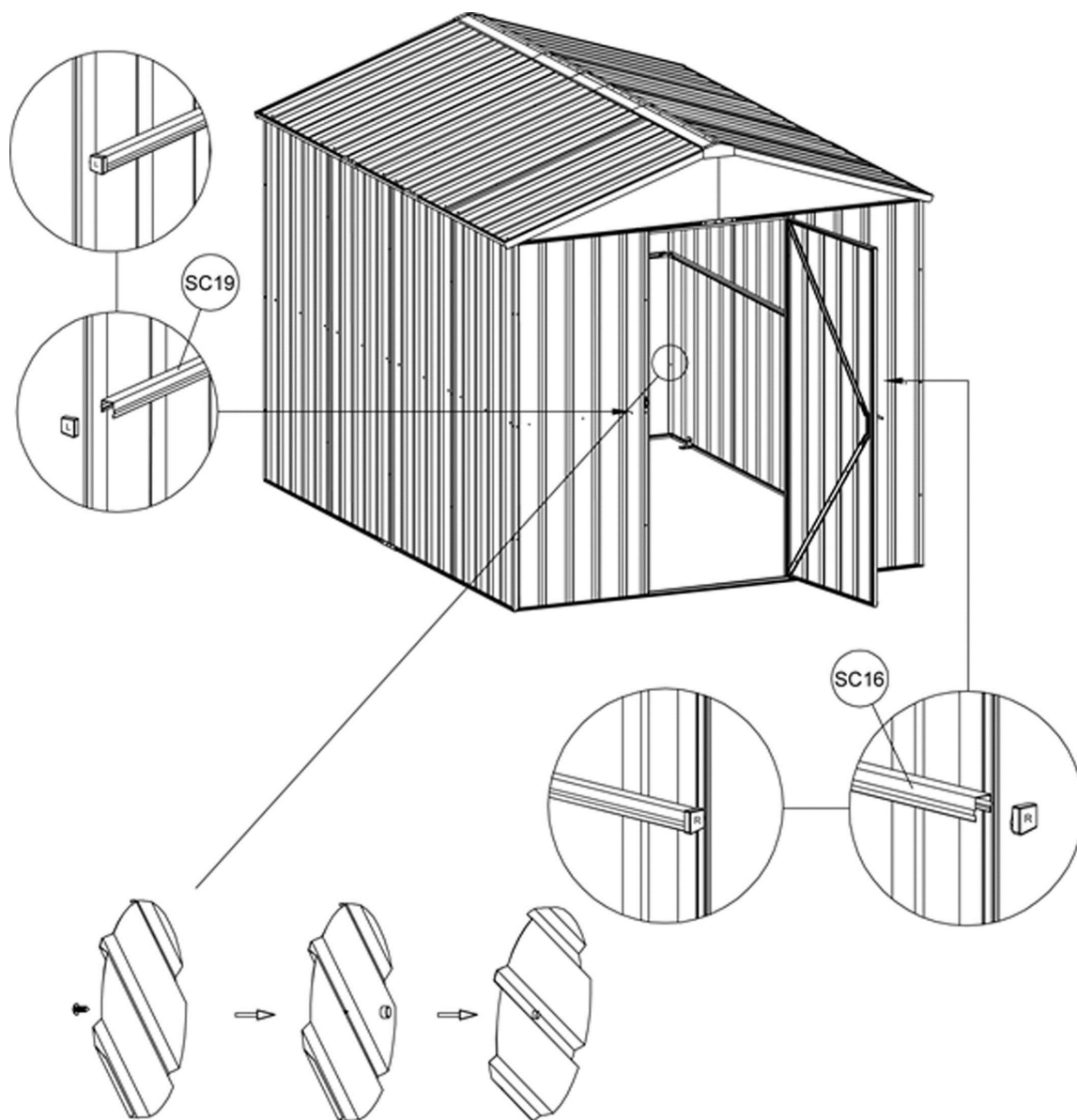


Diagram 20

What's next?

You may have some screws and depending on your shed size some sheets and components left over. Don't worry you haven't forgotten anything; we give you more than you need.

You can now skip to the next page for tips on keeping your new garden shed in tip top condition for years to come as well as details about your 30 year warranty.

Maintenance

Finish

For long lasting finish, periodically clean and wax the exterior surface. Car polish is ideal. Touch-up scratches as soon as you notice them on your shed. Immediately clean the area with a wire brush; wash it and apply touch-up paint per manufacturer's recommendation.

Weatherproofing

All sheds are weatherproof to a certain extent. Driving rain may cause some leakage at the ridgeline. Condensation may also occur in extreme hot, cold or humid conditions. We recommend that you use a waterproof sealant like silicone around the base and the ridgeline to minimize the risk of water entering.

Roof

Keep the roof clear of leaves and obstructions with a long handled, soft-bristled broom. If you live in an area subject to snow you need to be vigilant. Heavy amounts of snow on the roof can damage your shed making it unsafe to enter.

Doors

Always keep the door tracks clear of dirt and other debris that prevents them from sliding easily. Lubricate door tracks annually with furniture polish or silicone spray. Keep doors closed and locked to prevent wind damage and keeps your stuff safe.

Fasteners

Regularly check your shed for loose screws, bolts, nuts, etc. and retighten them as necessary.

Caution

Do not store swimming pool chemicals in your shed. They can cause corrosion. Combustibles and corrosives must be stored in air tight approved containers and placed out of the reach of children.

Warranty

These goods come with guarantees that cannot be excluded under the Australian Consumer Law. You are entitled to a replacement or refund for a major failure and compensation for any other reasonably foreseeable loss or damage. You are also entitled to have the goods repaired or replaced if the goods fail to be of acceptable quality and the failure does not amount to a major failure. This warranty is made by Build-a-shed Systems Australia 46 Shuttleworth Court Bonogin Queensland. This product is warranted to be free from defects in material and workmanship for the period of 30 years or otherwise agreed to in writing. This warranty is made to original users acquiring the product directly. This warranty shall not apply to any products which need to be repaired or replaced due to damage caused by negligence, abuse, accident, or shipping. It will also not apply when product has been modified altered, repaired or refurbished or because of natural variations in materials over which there is no control. These products are warranted to the original purchaser at the time of purchase and for a period of time thereafter as follows:

30 years on all parts subject to reasonable wear and tear

This warranty does not cover storm damage. "Defects", as used in this warranty, are defined as imperfections that impair the use of the product. This warranty covers manufacturing defects, but is null and void if the defects arise from abuse or misuse of the product.

Contact

If you have a question, regarding this shed, assembly or warranty please call:

The Garden Shed Hot Line

1300 781 230

This telephone operates 24/7. Please leave a detailed message and a return contact number. One of our team will be in contact with you at the earliest convenience to help. For warranty claims we may ask for you to provide photographs or arrange a site visit so we can ascertain the best way to help.